

VOLVO

Service-Manual

Fault Tracing

Repairs

Maintenance

Section 3(39)

Wiring diagrams

480

1991

May 1991

TP 35668/1



red480gt

Volvo passenger cars are sold in different variants adapted to the specific requirements of the various countries. This market adaptation is based on such things as legal regulations, tax limitations and specific wishes of the market concerned.

For this reason illustrations and text may appear in this Service manual which are not relevant to the cars in your own country.

	Page		Page
Contents	1	Group 39. Radio	
How to use the wiring diagrams	2	Radio connections	64
How to use the circuit diagrams	3	Group 59. Anti-lock Brake System	
Fuses, location on the vehicle	4	ABS	66
Relays, location on the vehicle	5	Group 83. Doors, etc.	
Wiring harnesses and earth points, location on the vehicle	6	Central locking system	68
Ventilation and heating module (VM) components	7	Electrically operated door windows	70
Instrument panel	8	Tilting sun roof	72
CEM (Central Electronic Module)	9	Anti-theft alarm and horn	74
Connectors, wiring harness C	10	Group 84. Exterior trim	
Connectors, wiring harness C	11	Rear window and door mirror heating	76
Connectors, wiring harness C	12	Electrically operated remote control door mirrors	78
Connectors, wiring harness C	13	Group 85. Interior fittings	
Group 23. Fuel system		Heated front seats	80
Fuel injection and ignition, B18EP/FP	14	Group 87. Heating and ventilation	
Fuel injection and ignition, B18FT	16	Heating, without VM	82
Group 26. Cooling system		Heating, with VM (for air-conditioning)	84
Auxiliary water pump, B18EP/FP and B18FT	18	Air-conditioning, EP/FP	86
Group 28. Ignition system		Air-conditioning, FT	88
Ignition/starter switch and start interlock (AT)	20	Group 88. SRS	
Group 35. Lighting		Seat belt pre-tensioners	90
Front lights (with day running lights)	22	Airbag and seat belt pre-tensioners	92
Headlight flash, auxiliary driving lights, driveway illumination	24	Circuit diagram 1991	
Dimmed-dip beams, main beams, GB	26	1 Interior lighting, rear window heating, horn, etc.	94
Rear lights with brake lights and bulb failure detector	28	2 Seat heating, P/N switch, starter motor, alternator, seat belts	95
Fog lights	30	3 Engine cooling fan, heating, air-conditioning	96
Fog lights (N and NL) and rear fog lamps (EURO)	32	4 Instrument panel, rheostat	97
Reversing lights	34	5 Windscreen wipers, radio connections, reversing lights, door mirrors	98
Instrument lighting	36	6 Door windows, tilting sun roof, direction indicators, headlight motors	99
Interior lighting and keyhole light	38	7 Vehicle lighting, front and rear	100
Lighting for glove box, luggage compartment and cigar lighter	40	8 Fog lights	101
Group 36. Other electrical equipment		9 SRS	102
Direction indicators	42	10 Fuel injection system, B18EP/FP	103
Windscreen wipers	44	11 Fuel injection system, B18FT	104
Headlight and windscreen washers	46	12 ABS	105
Rear window wiper and washer	48	Numerical components list	106
Headlight housing motors	50	Alphabetical components list	108
Group 38. Instruments		Alphabetical index	110
Rev-counter and speedometer	52		
Electronic Information Centre with sensors	54		
Warning lamps for brake fluid, handbrake, battery charge and washer fluid	56		
'Door open' warning lamp and 'lights on' warning buzzer	58		
Seat belt warning lamp	60		
Battery voltmeter and oil pressure gauge with switch	62		

Order number TP 35668/1

We reserve the right to make alterations

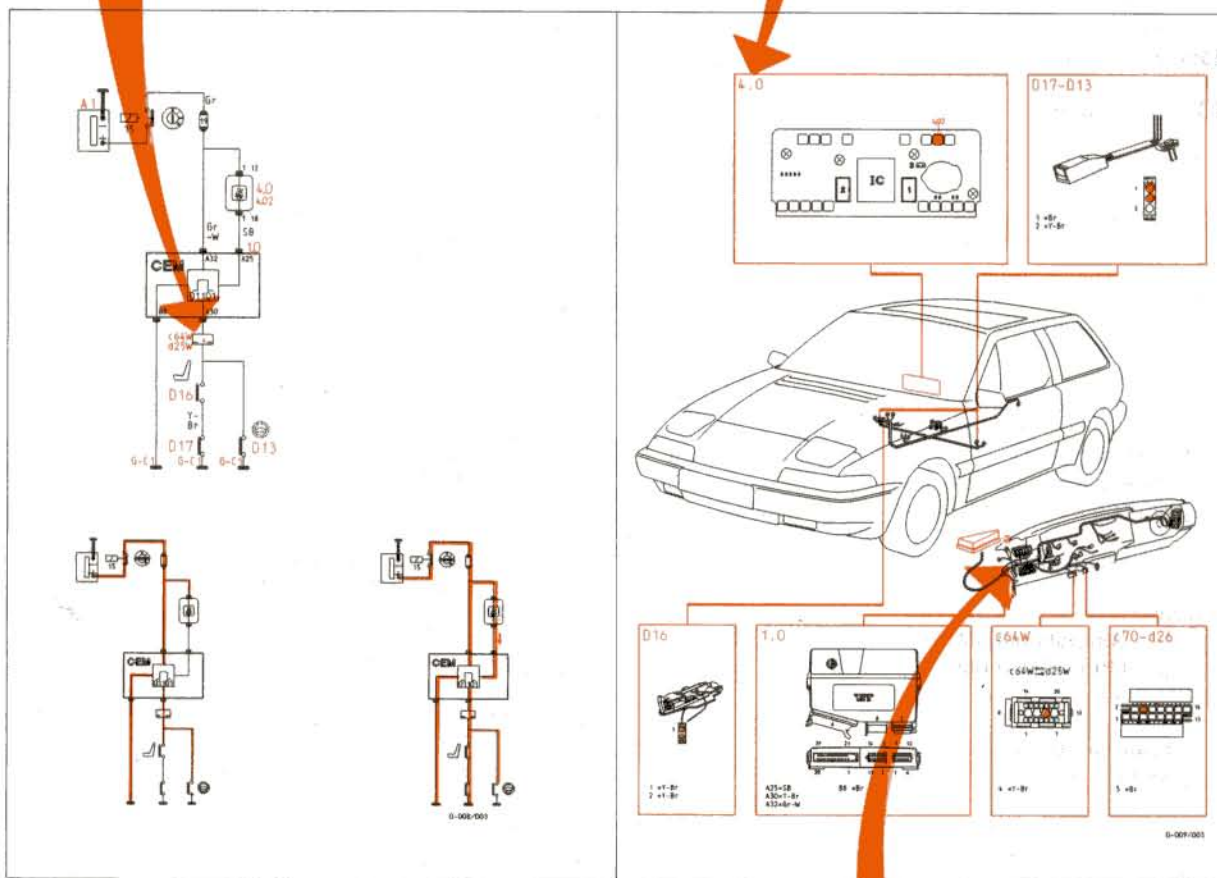
How to use the wiring diagrams

Multi-pin connectors.

A connection between two **wiring harnesses**, in this case the console wiring harness **d** and the dashboard wiring harness **c**. The connecting pin is no. 4 and the colour of this connector is **White**. Drawings of connectors in this manual are always shown in rear perspective.

This is the reference number of the component in the circuit diagram.

A complete list of components, listed numerically by component numbers, is given on pages 106 and 107 of this manual.



Wiring colours

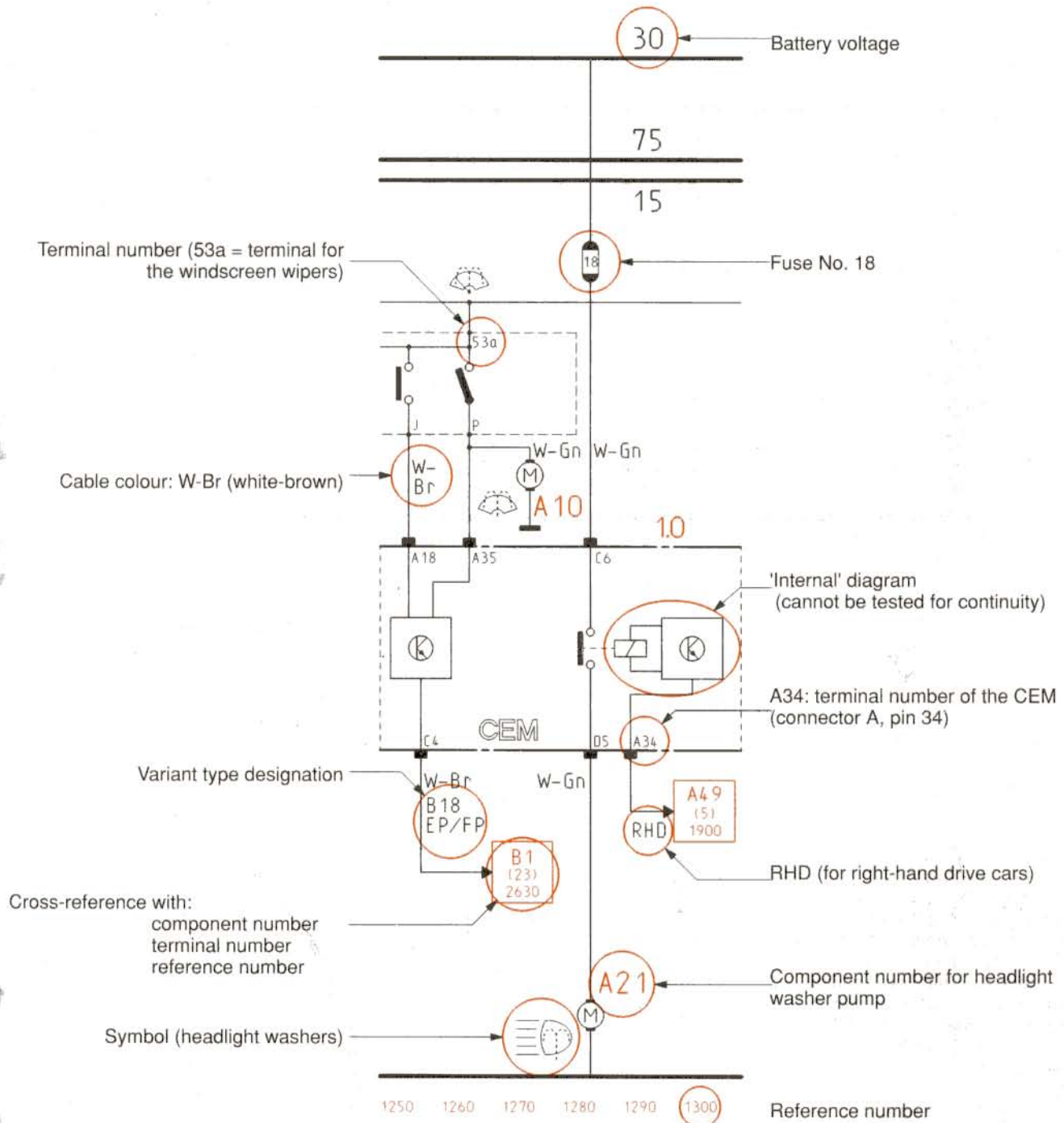
SB	Black	Gn	Green
W	White	Bl	Blue
Gr	Grey	L	Lilac
R	Red	P	Pink
Or	Orange	Br	Brown
Y	Yellow		

The small diagrams show various operating conditions with:

- Arrows indicating the direction of flow of the current
- Current
- Voltage

Location of wiring harnesses with connectors.
The wiring colours and terminals of a number of connectors are given on pages 10 to 13.

How to use the circuit diagrams




0-008/107

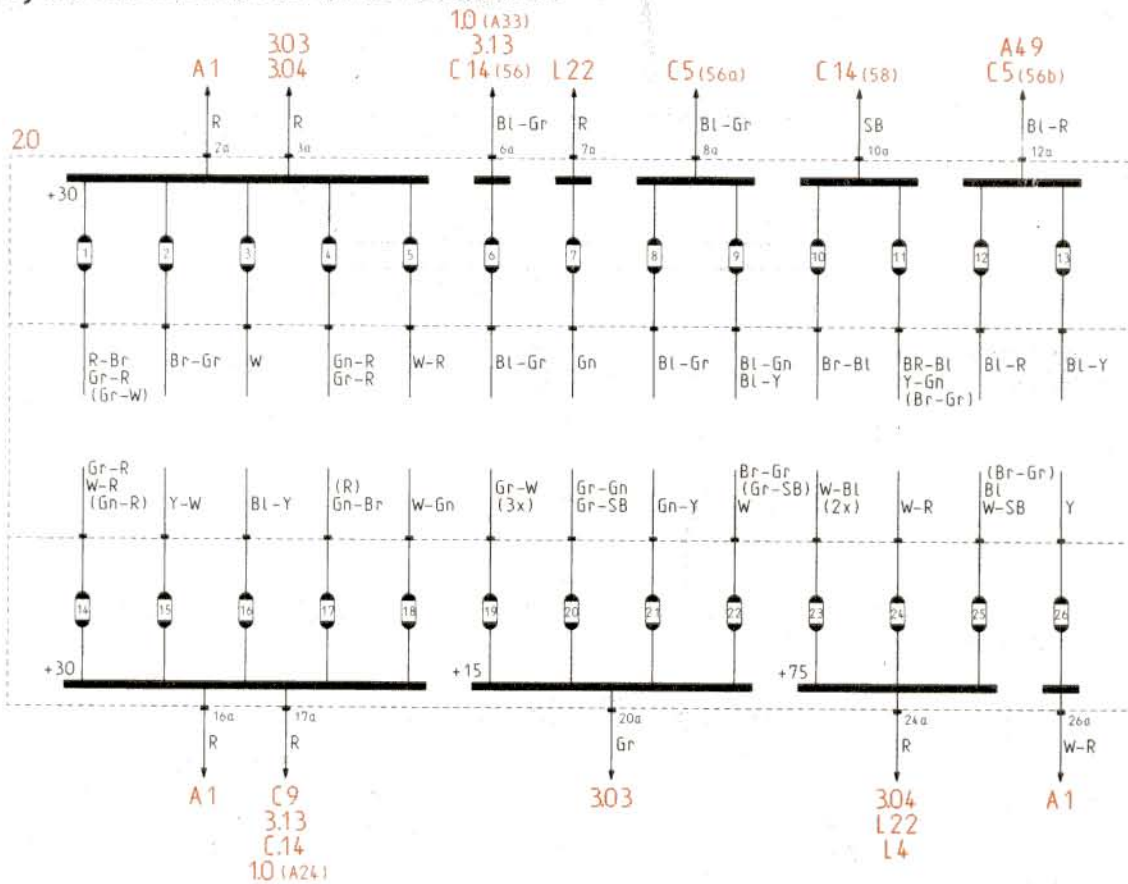
Nationality letters:

A	Austria	I	Italy
B	Belgium	N	Norway
CH	Switzerland	NL	Netherlands
D	Germany	P	Portugal
DK	Denmark	S	Sweden
E	Spain	SF	Finland
F	France		
GB	Britain (incl. Ireland)		

Abbreviations used in the diagrams

AC	Air-conditioning
EP/FP	Fuel injection system without/with catalytic converter
FT	Fuel injection system on Turbo models
RHD	Right-Hand Drive
LHD	Left-hand drive
CEM	Central Electronic Module
VM	Ventilation and heating module
ECU	Electronic Control Unit (fuel injection system, ABS)
ABS	Anti-lock Brake System
IC	Electronic Information Centre
SRS	Supplemental Restraint System
R	Right
L	Left
AT	Automatic transmission
	Screened cable

Fuses, location on the vehicle



0-008/068

Fuses

- 1 Cigar lighter, clock, electrically operated aerial, Electronic Information Centre, LED (anti-theft alarm), interior lighting, engine compartment light, luggage compartment light and glove-box light
- 2 Fog lights, rear warning fog lamps, headlight flash system
- 3 Heater blower (maximum speed)
- 4 Headlight motors, keyhole light in driver's door
- 5 Door windows and tilting sun roof
- 6 Rear fog lamps
- 7 ABS relay
- 8 LH headlight, main beam
- 9 RH headlight, main beam and warning lamp
- 10 LH parking lamps and tail lights, dashboard lighting, dimmed-dip beams relay
- 11 RH parking lamps and tail lights, number plate lighting, fog light relay
- 12 LH headlight, dipped beam
- 13 RH headlight, dipped beam
- 14 Air-conditioning compressor and fan, brake lights, diagnostic test point
- 15 Heating elements, rear window and door mirrors
- 16 Auxiliary driving lights, horn, anti-theft alarm
- 17 Start relay, rear window wiper
- 18 Headlight washers, direction indicators
- 19 Alternator, oil pressure gauge, clock and instrument lighting
- 20 Reversing lights, compressor relay, seat heating
- 21 ABS
- 22 Lighting switch, day running lights
- 23 Windscreen wiper motors, windscreen washer pump
- 24 Electrically operated door mirrors
- 25 Air-conditioning fan and/or heater blower, radio
- 26 Motor, ABS

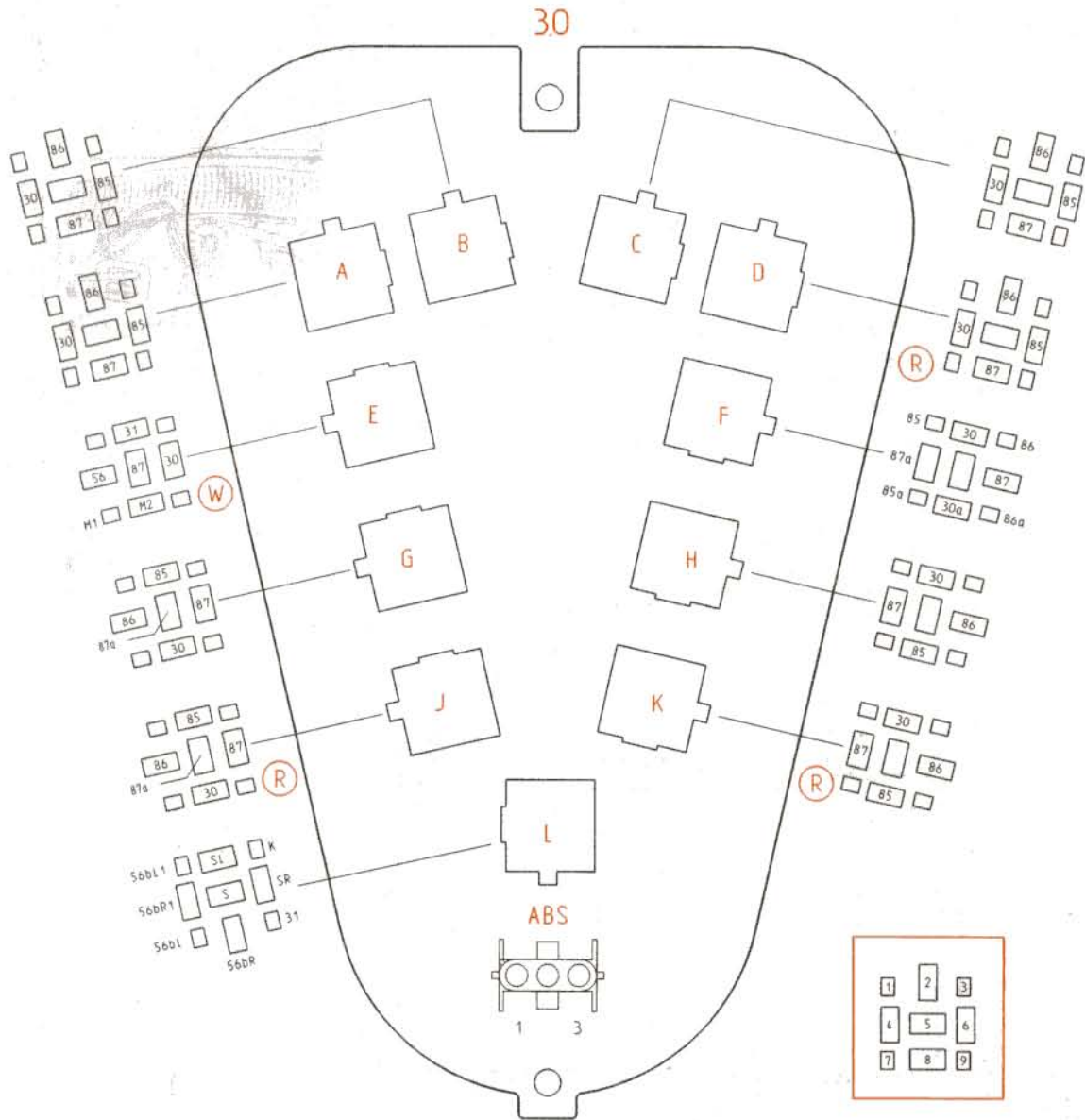
Amperage

Power supply

15	+30
20	+30
30	+30
30	+30
30	+30
30	+30
7.5	56
30	+30
7.5	56a
7.5	56a
7.5	58
7.5	58
7.5	56b
7.5	56b
30	+30
20	+30
20	+30
20	+30
20	+30
7.5	+15
30	+15
3*	+15
15	+15
15	+75
30	+75
20	+75
30	+30

*Special 3 A fuse for the ABS.

Relays, location on the vehicle

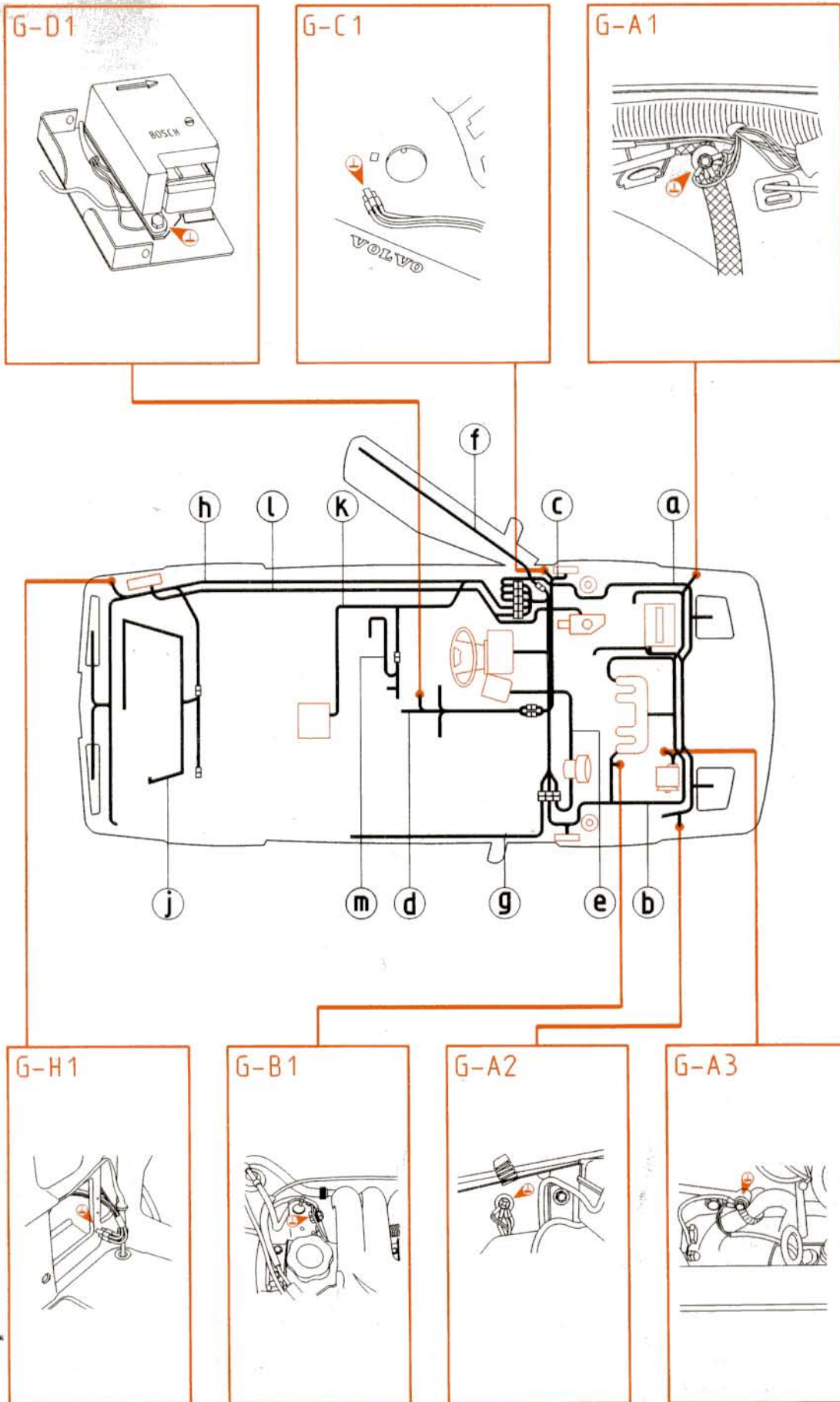


Relays, location on the vehicle

- 3.01 (A) Relay, headlights
- 3.03 (C) Ignition relay 15
- 3.04 (B) Relay, terminal 75
- 3.06 (F) Relay, headlight motors
- 3.07 (G) Relay, rear fog lamps [NL, N]
- 3.08 (H) Relay, fog lights
- 3.09 (J) ABS pump relay
- 3.10 (K) ABS system relay
- 3.11 (L) Bulb failure detector, front lights
- 3.12 (E) Relay, fog lights (NL, N)
- 3.14 (G) Inhibitor relay, dimmed-dip beams (GB)
- 3.22 (D) Relay, auxiliary water pump
- B2 Relay, fuel injection system
- B12 Fuel pump relay
- E7 AC relay, delayed compressor engagement
- E8 AC relay
- E9 Heater blower relay (position 4)

B2, B12, E7, E8 and E9 are located on the bracket near the heater blower.

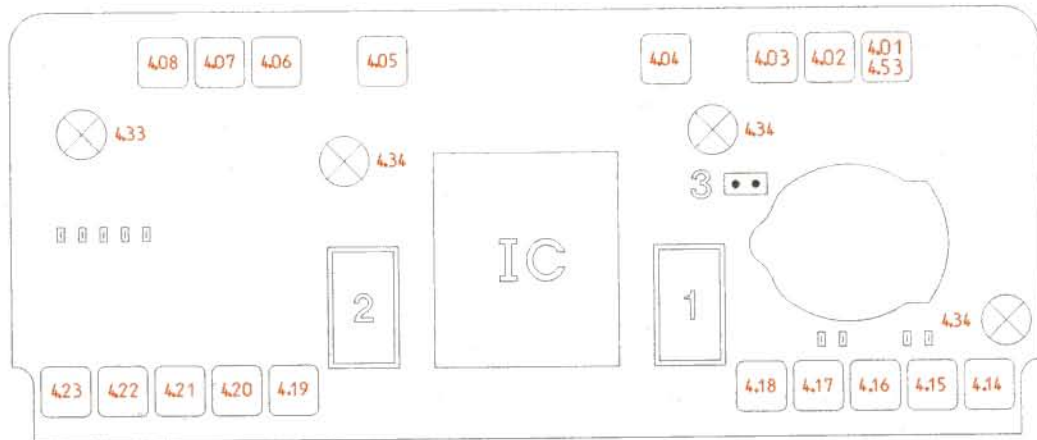
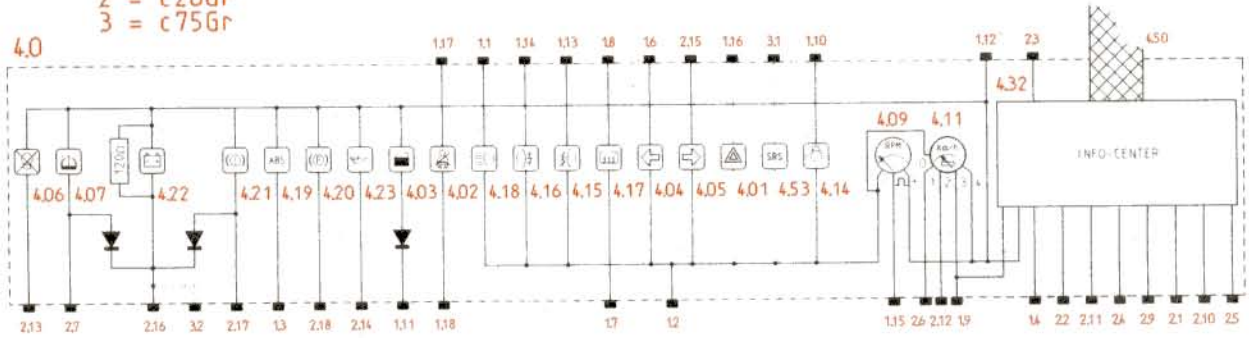
Wiring harnesses and earth points, location on the vehicle



0-009/121

Instrument panel

- 1 = c21Gn
- 2 = c20Gr
- 3 = c75Gr



0-008/077

Terminals, connector c21 Gn (green)

No.	Cable colour	Component
1	Bl-Gn	Main beam
2	Br	Earth
3	SB	ABS
4	Y	Oil level transmitter
5	Br-Gr	Rheostat, dashboard lighting
6	Y-SB	Door open
7	Y-W	Rear window heating
8	Br	Earth
9	-	-
10	Br-Bl	Lighting switch 58
11	Gn-R	LH direction indicator
12	Gr-W	Fuse 19 (+15)
13	Bl-Gr	Rear fog lamp
14	Bl-Y	Fog lights
15	Br-Bl	Engine speed signal, ignition
16	Gn-SB	Hazard warning lights
17	Gr-W	Fuse 19 (+15)
18	SB	Seat belts

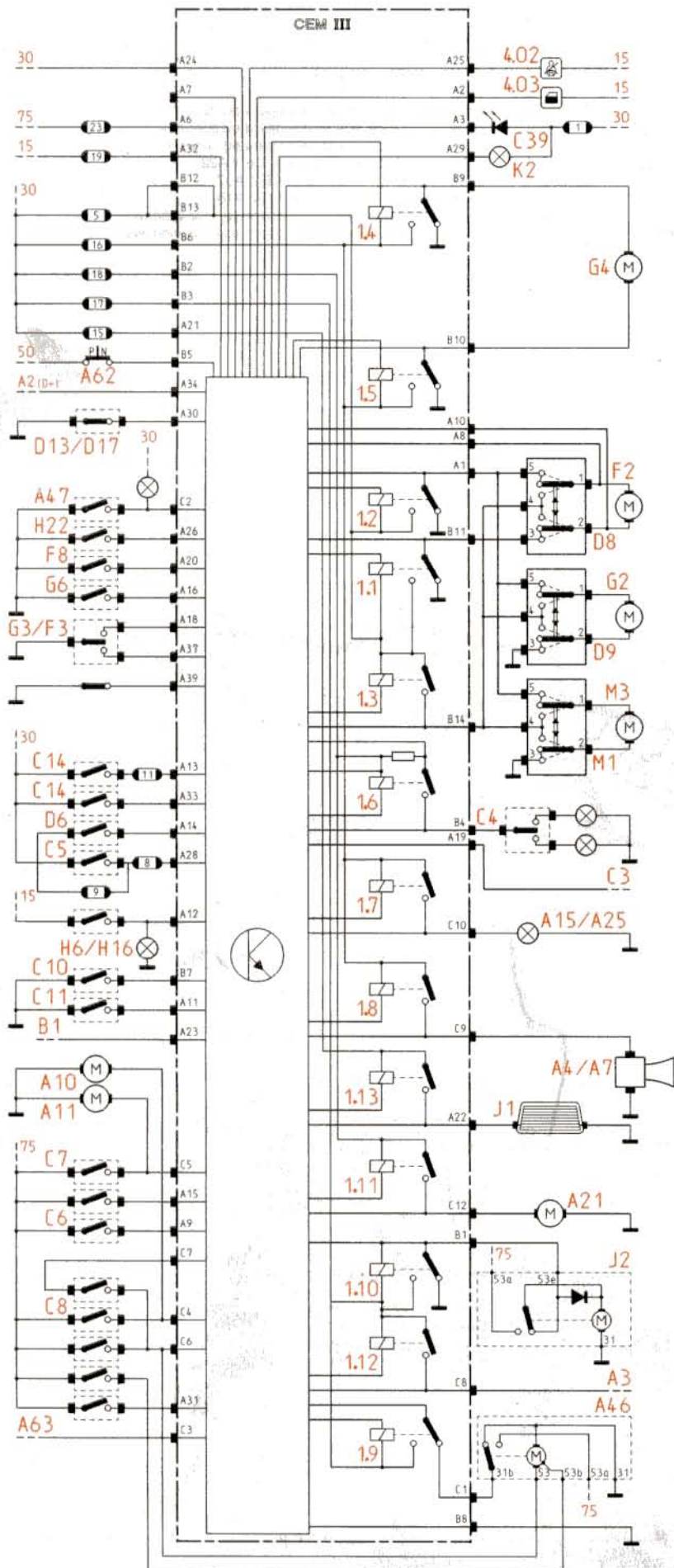
Terminals, connector c20Gr (grey)

No.	Cable colour	Component
1	Gr-SB	Coolant temperature transmitter
2	Gr	Oil level transmitter
3	Gr-R	Fuse 1 (+30)
4	W-Bl	Ambient air temperature transmitter
5	Gn	Injection signal from B1
6	W	Speedometer
7	Gn-Br	Float, washer fluid
8	-	-
9	W	Oil temperature transmitter
10	Br-Bl	Earth, sensors
11	Gn-SB	Tank float unit
12	-	Speed transmitter, final drive
13	Bl	Bulb failure detector
14	Or	Oil pressure transmitter
15	Gn-Y	RH direction indicator
16	R-Br	Alternator signal, input
17	Bl	Float, brake fluid
18	Gr	Handbrake switch

Terminals, connector c75Gr

1	Gn	SRS
2	R-Br	Alternator signal, output

CEM (Central Electronic Module)



- 1.0 CEM
- 4.02 Warning lamp, seat belts
- 4.03 Warning lamp, 'door open'
- A3 Starter motor
- A4, A7 Horn
- A10 Windscreen washer pump
- A11 Rear window washer pump
- A15 RH auxiliary driving light
- A21 Headlight washer pump
- A25 LH auxiliary driving light
- A46 Windscreen wiper motor
- A47 Switch, bonnet lock
- A62 Switch, start interlock, AT
- A63 Diagnostic test point, B18EP/FP and CEM
- B1 ECU, fuel injection system
- C3 Switch, hazard warning lights
- C4 Switch, direction indicators
- C5 Main beam/dipped beam switch
- C6 Switch, rear window wiper
- C7 Switch, rear window washer
- C8 Windscreen wash/wipe switch
- C10 Switch, horn
- C11 Switch, rear window heating
- C14 Lighting switch
- C39 LED, anti-theft alarm
- D6 Switch, auxiliary driving lights
- D8 Switch, electrically operated door window, L
- D9 Switch, electrically operated door window, R
- D13 Seat belt contact, driver
- D17 Seat belt contact, passenger
- F2 Motor, electrically operated door window, driver's side
- F3 Door lock switch, driver's side
- F8 Switch, driver's door
- G2 Motor, electrically operated door window, passenger's side
- G3 Door lock switch, passenger's side
- G4 Motor, central locking system
- G6 Switch, passenger's door
- H6 Reversing light, R
- H16 Reversing light, L
- H22 Switch, tailgate lock
- J2 Rear window wiper motor
- K2 Switch, interior lighting
- M1 Switch, tilting sun roof
- M3 Motor, tilting sun roof
- 1.1 Auto-down
- 1.2 Doors and sun roof, closing
- 1.3 Doors and sun roof, operation
- 1.4 Central locking system, closed
- 1.5 Central locking system, open
- 1.6 Direction indicators
- 1.7 Auxiliary driving lights
- 1.8 Horn
- 1.9 Windscreen wipers
- 1.10 Rear wiper
- 1.11 Headlight washers
- 1.12 Start interlock

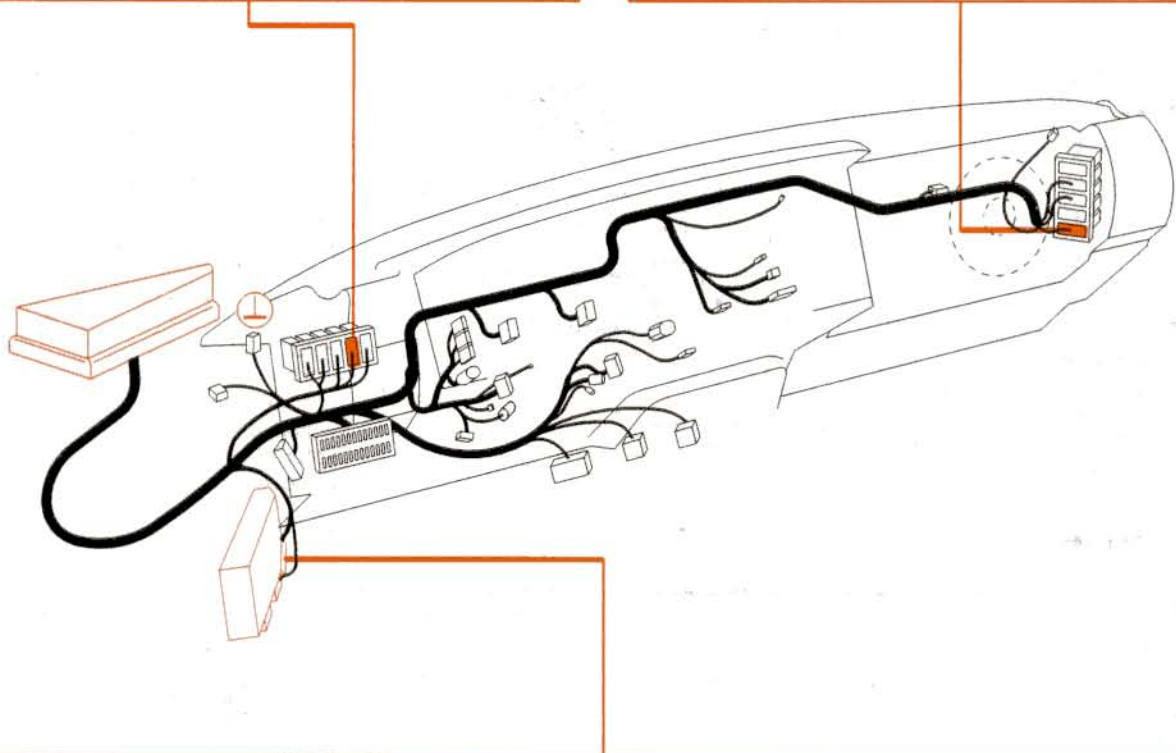
Connectors, wiring harness C

c61R - a46R

1	Or	Oil pressure switch
2	Gn-Br	Washer fluid level
3	Bl-Gn	RH main beam, fuse 9
4	Bl-Y	RH dipped beam, fuse 13
5	Y-Br	RH parking light, fuse 11
6	Gn-Y	RH direction indicator
7	-	-
8	Gn-Y	LH headlight motor
9	-	-
10	Bl-Gr	Headlight motors (dimmed-dip beams relay, RHD)
11	-	-
12	-	-
13	W-SB	LH headlight motor
14	SB	Switch, bonnet lock
15	Gn	RH headlight motor
16	W	RH headlight motor
17	Gr-W	Switch, start interlock, AT
18	W-Bl	Switch, start interlock, AT
19	-	-
20	R-Br	Headlight motors

c67SB - a10SB

1	Y	RH loudspeaker
2	Y-SB	RH loudspeaker
3	Gr	Motor, electrically operated door mirror (R)
4	Gr-W	Motor, electrically operated door mirror (R)
5	Gr-SB	Motor, electrically operated door mirror (R)
6	Y-W	Door mirror heating, CEM A22
7	Br-Gr	Switch, door lock, CEM A37
8	Br-Bl	Switch, door lock, CEM A18
9	P	Motor, electrically operated door windows
10	W-Br	Motor, electrically operated door windows
11	-	-
12	Br	Earth
13	-	-
14	-	-
15	Y	Central locking system, CEM B10
16	Gn	Central locking system, CEM B9
17	-	-
18	Y-W	Door switch, CEM A20
19	-	-
20	-	-



CEM A

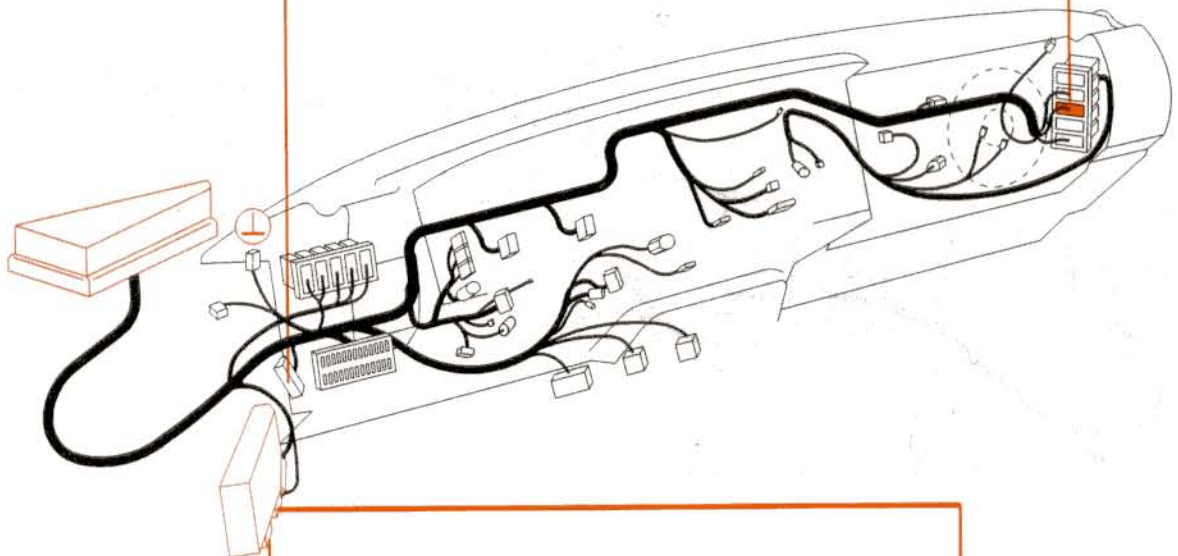
1	Gr-W	Auto-down, driver's window
2	Y-SB	'Door open' warning
3	W-Gn	LED, anti-theft alarm
4	-	-
5	-	-
6	W-Bl	Fuse 23
7	-	-
8	W-Br	Auto-down, stop
9	Gn-Br	Rear wiper, position I
10	P	Auto-down, driver's window
11	SB-R	Switch, rear window heating
12	Br-Gr	Switch, reversing lights
13	Y-Br	Lighting switch (58), fuse 11
14	Bl-Y	Switch, auxiliary driving lights
15	Gn-SB	Rear wiper, position II
16	Y-W	Passenger's door
17	-	-
18	Br-Bl	Alarm armed
19	W-Br	Hazard warning lights
20	Bl-R	Driver's door

21	Y-W	Rear window heating, fuse 20
22	Y-W	Rear window heating
23	W-Br	Full throttle, B18EP/FP
24	R	30
25	SB	Seat belt warning
26	SB-Bl	Tailgate
27	-	-
28	Bl-Gr	Main beam/dipped beam switch (56a)
29	W-SB	Interior lighting
30	Y-Br	Seat belt contact
31	W-Br	Windscreen wipers, intermittent wipe
32	Gr-W	15
33	Bl-Gr	Lighting switch (56)
34	R-Br	Battery charge warning lamp
35	-	-
36	-	-
37	Br-Gr	Alarm disarmed
38	-	-
39	Br	Earth (alarm, radio)

Connectors, wiring harness C

c65SB - f10SB		
1	W	LH loudspeaker
2	W-SB	LH loudspeaker
3	Gr	Motor, electrically operated door mirror (L)
4	Gr-W	Motor, electrically operated door mirror (L)
5	Gr-SB	Motor, electrically operated door mirror (L)
6	Y-W	Door mirror heating, CEM A22
7	Br-Gr	Switch, door lock
8	Br-BI	Switch, door lock
9	P	Motor, electrically operated door windows (L)
10	W-Br	Motor, electrically operated door windows (L)
11	-	-
12	Br	Earth
13	Gr-R	Fuse 4
14	-	-
15	-	-
16	-	-
17	-	-
18	Bl-R	Door switch, CEM A20
19	-	-
20	-	-

c68R - b35R		
1	R	Auxiliary water pump
2	Gn	Injection signal for IC
3	Br-Gr	Reversing lights, B18FT
4	-	-
5	W-Br	Full throttle, B18EP/FP
6	W-Gn	Air-conditioning on/off, B18EP/FP
7	Gn-Y	Compressor B18EP/FP, low pressure switch B18FT
8	Br-BI	Rev-counter
9	Gr	+15, ignition switch
10	-	-
11	Gr-R	Fuel pump
12	-	-
13	Y-SB	Compressor, B18FT
14	P	Power supply, relay
15	W-BI	+50 terminal, ignition/starter switch
16	Bl	Auxiliary water pump
17	Or	Diagnostic test point, B18EP/FP
18	Y-SB	Low pressure switch, B18EP/FP
19	-	-
20	-	-



CEM C		
1	W	Windscreen wipers, intermittent wipe
2	SB-R	Bonnet switch
3	R	Diagnostic test point
4	W-R	Windscreen washer pump
5	Gr-Gn	Washer pump, rear window
6	Gn	Windscreen wiper, 1st speed
7	Gr	Windscreen wiper motor
8	Gr-W	tarter motor
9	Gr-R	Horn
10	Bl-Y	Auxiliary driving lights
11	-	-
12	W-Gn	Headlight washer pump

CEM B		
1	Gn	Rear window wiper
2	W-Gn	Fuse 18
3	Gr-Br	Fuse 17
4	Gr-Br	Direction indicators
5	Gr-W	P/N switch (50)
6	Bl-Y	Fuse 16
7	SB-Br	Horn switch
8	Br	Earth
9	Gn	Central locking system, closing
10	Y	Central locking system, opening
11	Br-Gr	Windows, opening
12	W-R	Fuse 5, electrically operated door windows
13	W-R	Fuse 5, electrically operated door windows
14	W-SB	Power supply, door windows/sun roof

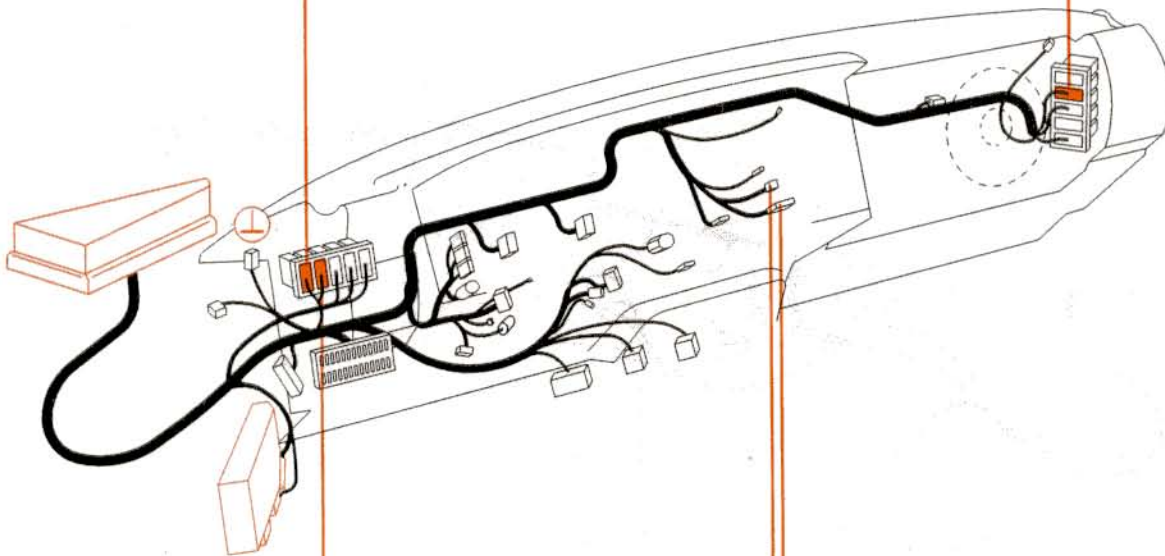
Connectors, wiring harness C

c69Y - l15Y

1	Br	Diode for motor
2	-	-
3	-	-
4	-	-
5	-	-
6	Gr	+50 terminal, ignition/starter switch
7	Gn	Hazard warning switch
8	Gn-Br	Earth, system relay
9	W-R	Fuse 26
10	R	Fuse 7
11	W-SB	Power supply, pump relay
12	Y	Power supply, system relay
13	Br	Earth, system relay
14	Gn-Y	Fuse 21
15	-	-
16	-	-
17	Bl-R	System relay
18	Bl-Y	Brake switch
19	SB	Instrument panel lamp, ABS
20	Bl	Instrument panel lamp, brake fluid

c66W - e15W

1	Gr-SB	Fuse 20
2	-	-
3	W-Gn	AC on/off, B18EP/FP
4	-	-
5	Br-Gr	Rheostat, lighting
6	Y-SB	Low pressure switch, B18EP/FP
7	W-SB	Fuse 25
8	-	-
8	W-R	Fuse 14
10	Or	Cooling fan
11	W	Fuse 3
12	Br	Earth
13	Gn-Y	AC compressor, B18EP/FP
14	Y-SB	AC compressor, B18FT
15	-	-
16	-	-
17	R-Br	Alternator charge signal, B18FT
18	-	-
19	-	-
20	Gn-Y	Low pressure switch, B18FT



c63Bl - h20Bl

1	SB-Bl	Switch, tailgate lock, CEM A26
2	SB-R	Interior lighting
3	W-Bl	Rear window wiper
4	Gn	Rear window wiper, CEM B1
5	Gn-R	LH direction indicator
6	Gn-Y	RH direction indicator
7	Y-Br	RH tail light
8	Br-Bl	LH tail light
9	Y-W	Rear window heating, CEM A22
10	Br	Earth
11	Bl-Y	Brake lights
12	Gr-W	Tilting sun roof, closing, CEM A1
13	Bl-Gr	Fog lamps
14	Bl	Bulb failure detector
15	Br-Gr	Reversing lights
16	W-SB	Interior lighting, CEM A29
17	Gr-SB	Fuse 20
18	R	Electrically operated aerial
19	Gr-R	Fuse 1
20	W-SB	Tilting sun roof, CEM B14

c71 - C25

1	W-SB	LH loudspeaker
2	Y-SB	LH loudspeaker
3	W	LH loudspeaker
4	Y	LH loudspeaker
5	-	-
6	Br-Gr	Lighting switch (58), fuse 11
7	-	-
8	-	-
9	Gr-R	Fuse 1
10	Br	Earth
11	Bl	Fuse 15
12	R	Electrically operated aerial
13	-	-
14	-	-

c73 - C25

1	Br	Earth
2	Bl	Fuse 25
3	Br-Gr	Fuse 25
4	R	Electrically operated aerial
5	Gr-R	Fuse 1

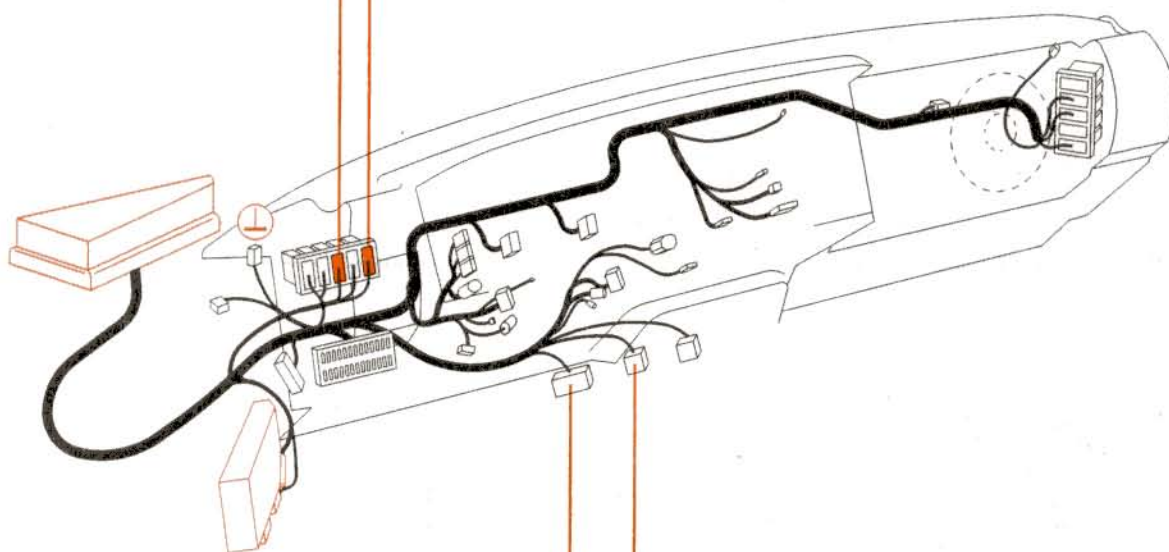
Connectors, wiring harness C

c62SB - a47SB

1	-	-
2	W	Speed transmitter
3	-	Screening for speed signal
4	Y	Oil pressure transmitter
5	-	-
6	Br-BI	Earth, sensors
7	-	-
8	Gr	+50, ABS
9	Or	Relay, AC
10	Bl-Y	Brake switch (dimmed-dip beams relay, RHD)
11	Y	Dimmed-dip beams relay, RHD
12	-	-
13	Gr	Windscreen wipers, CEM C7
14	W	Oil temperature transmitter
15	-	-
16	-	-
17	-	-
18	-	-
19	Gr-SB	Coolant temperature transmitter
20	Or	Diagnostic test point, ECU (EP/FP)

c60W - a45W

1	Br-BI	LH parking light, fuse 10
2	R-Br	Alternator, CEM A34
3	W-Gn	Windscreen washers
4	Gr-Gn	Rear window washer, CEM C5
5	Gr-R	Fuse 14, brake lights
6	Bl	Brake fluid level
7	W-Gn	RH day running lights
8	Br-Gr	Reversing light switch, CEM A12
9	W-Bl	Windscreen wipers, fuse 23
10	Gn-R	Windscreen wipers
11	Gn	Windscreen wipers
12	Gr-SB	Reversing light switch, fuse 20
13	W-Bl	Ambient air temperature transmitter
14	Gn-R	LH direction indicator
15	Gn	LH day running lights
16	Bl-R	LH dipped beam, fuse 12
17	Bl-Gr	LH main beam, fuse 8
18	Bl-Y	Fog lights
19	Y	Oil level transmitter
20	Gr	Oil level transmitter



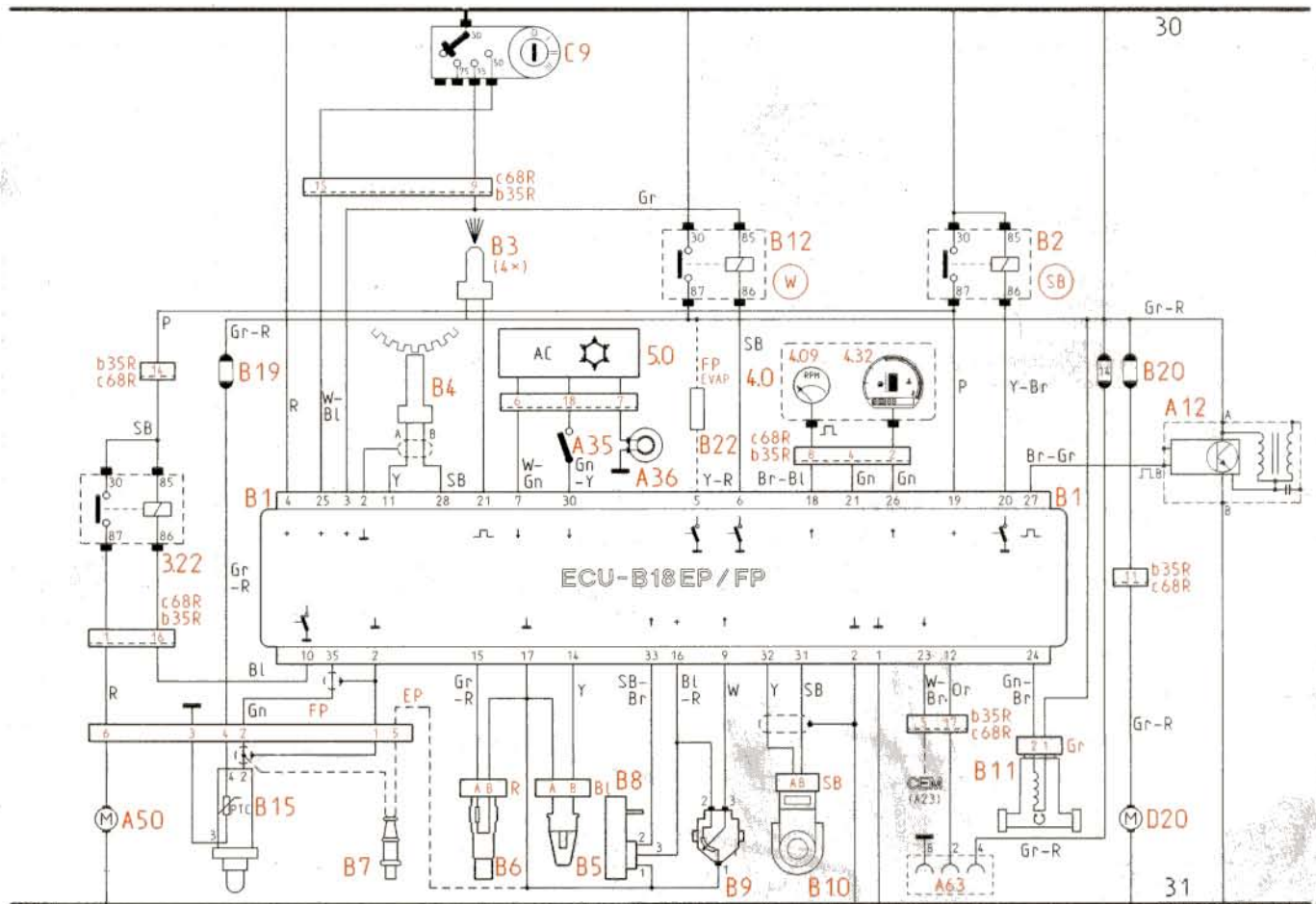
c64W - d25W

1	Bl-Y	Switch, auxiliary driving lights, CEM A14
2	Bl-Y	Switch, auxiliary driving lights, fuse 9
3	Br-Gr	Rheostat, lighting
4	Y-Br	Switch, seat belts, CEM A30
5	G	Handbrake switch
6	Gn-SB	Tank float unit, IC
7	GrS	Switch, electrically operated door mirror (L)
8	Gr-SB	Switch, electrically operated door mirror (L)
9	R-Br	Cigar lighter, fuse 1
10	Gr-R	Fuel pump
11	P	Switch, electrically operated door window (L)
12	W-Br	Switch, electrically operated door window (L)
13	Gr-W	Switch, electrically operated door mirror (L)
14	Gr	Switch, electrically operated door mirror (R)
15	Gr-SB	Switch, electrically operated door mirror (R)
16	Gr-W	Switch, electrically operated door mirror (R)
17	W-SB	LH loudspeaker
18	Y-SB	RH loudspeaker
19	W	LH loudspeaker
20	Y	RH loudspeaker

c70 - d26

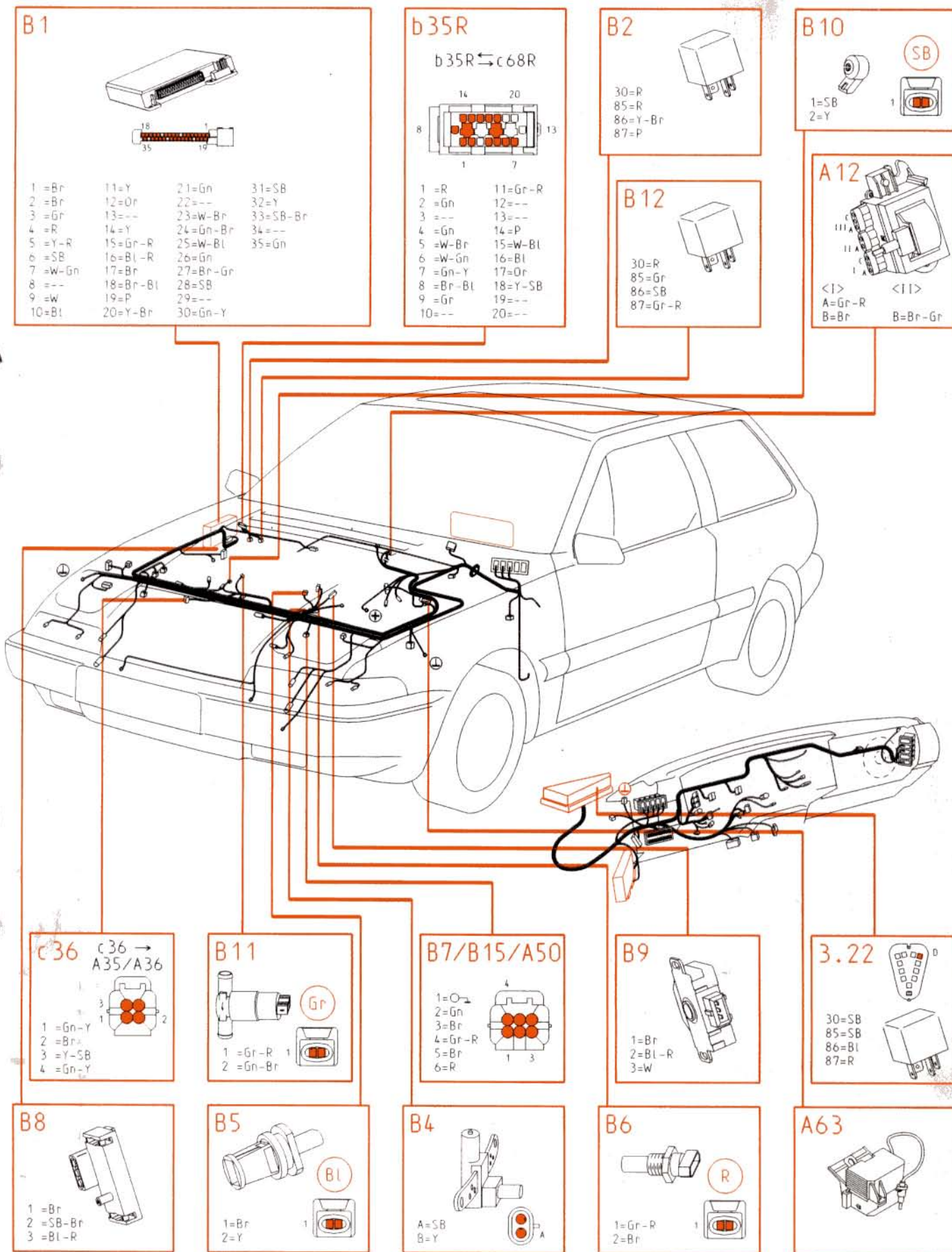
1	Gr-Gn	Fuse 20
2	W-SB	Power supply, electrically operated door windows, CEM B14
3	P	Switch, electrically operated door window (R)
4	W-Br	Switch, electrically operated door window (R)
5	Br	Earth
6	Br-BI	Earth, sensors
7	W-R	Fuse 24
8	Gr-W	Door windows closing, CEM A1
9	Br-Gr	Auto-down, driver's window
10	Br	Earth
11	-	-
12	-	-
13	-	-
14	-	-

Fuel injection and ignition, B18EP/FP engine

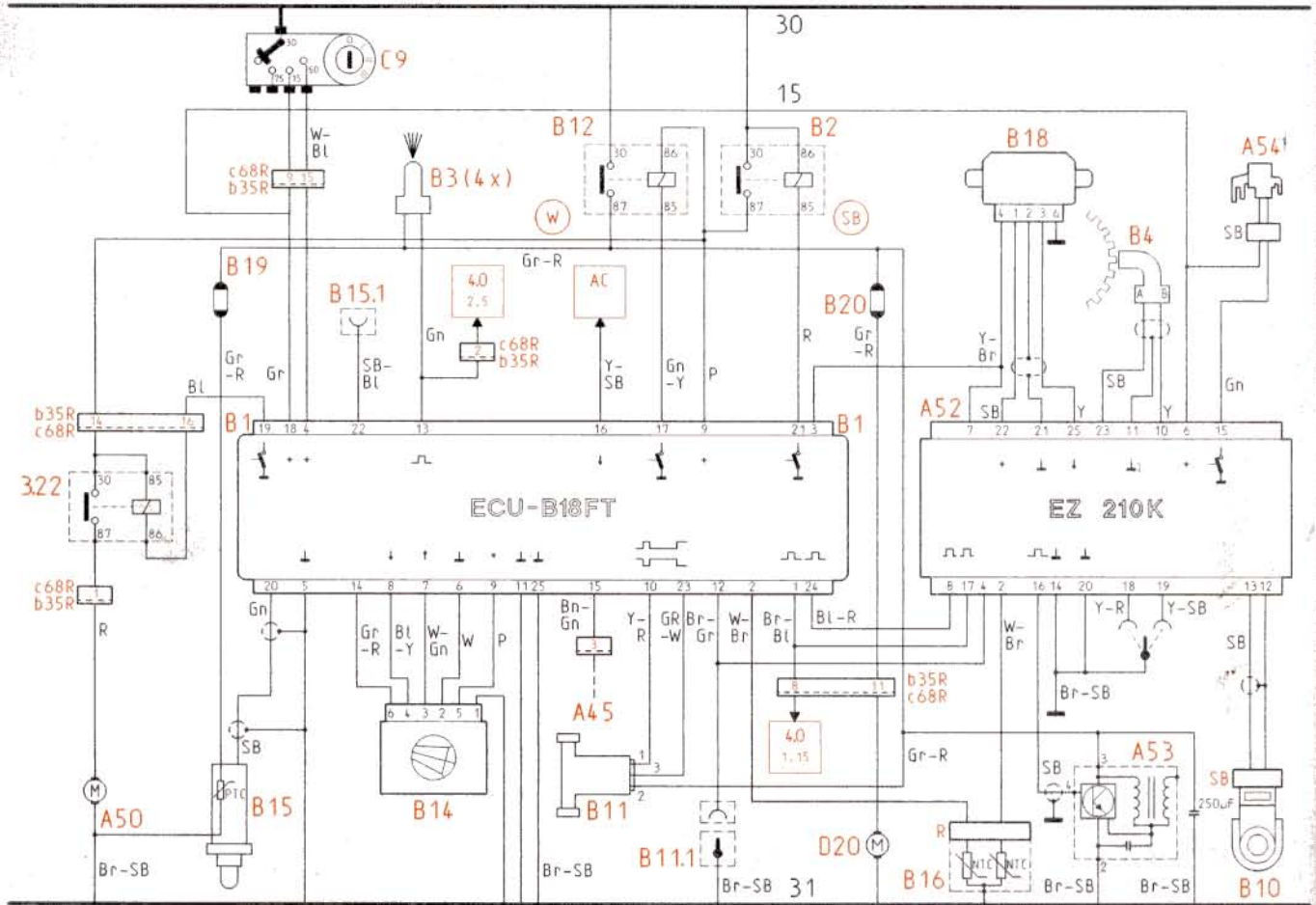


- 3.22 (D) Relay, auxiliary water pump
- A12 Electronic ignition unit
- A35 Low pressure switch, AC
- A36 Compressor clutch, AC
- A50 Auxiliary water pump
- A63 Diagnostic test point, B18EP/FP and CEM
- B1 ECU, fuel injection system
- B2 Relay, fuel injection system
- B3 Injectors
- B4 Engine speed transmitter, flywheel
- B5 Intake air temperature transmitter
- B6 Coolant temperature transmitter, B18EP/FP
- B7 Potentiometer, CO setting
- B8 Air pressure transmitter, fuel injection system
- B9 Throttle valve switch
- B10 Knock sensor
- B11 Regulating valve, idle speed
- B12 Fuel pump relay
- B15 Oxygen sensor
- B19 Fuse (next to B2), oxygen sensor
- B20 Fuse (next to B12), fuel pump
- B22 EVAP
- C9 Ignition/starter switch
- D20 Fuel pump, fuel injection system

Fuel injection and ignition, B18EP/FP engine



Fuel injection and ignition, B18FT engine



0-008/061

- 3.22 (D) Relay, auxiliary water pump
- A50 Auxiliary water pump
- A52 Electronic ignition, B18FT
- A53 Output stage and ignition coil, B18FT
- A54 Boost pressure regulating valve, B18FT
- B1 ECU, fuel injection system
- B2 Relay, fuel injection system
- B3 Injectors
- B4 Engine speed transmitter, flywheel
- B10 Knock sensor
- B11 Idle speed regulating valve
- B12 Fuel pump relay
- B14 Air mass meter, B18FT
- B15 Oxygen sensor
- B16 Coolant temperature transmitter, B18FT
- B18 Throttle valve switch and valve position sensor, B18FT
- B19 Fuse [next to B2], oxygen sensor
- B20 Fuse [next to B12], fuel pump
- C9 Ignition/starter switch
- D20 Fuel pump, fuel injection system

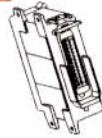
Fuel injection and ignition, B18FT engine

B1



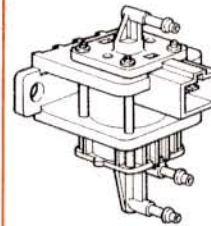
- | | | | |
|----------|----------|----------|----------|
| 1 =Br-Bl | 8 =Bl-Y | 15=Br-Gr | 22=SB-Bl |
| 2 =W-Br | 9 =P | 16=Y-SB | 23=Gr-W |
| 3 =Y-Br | 10=Y-R | 17=Gn-Y | 24=Bl-R |
| 4 =W-Bl | 11=Br | 18=Gr | 25=Br-SB |
| 5 =Br | 12=Br-Gr | 19=Bl | |
| 6 =W | 13=Gn | 20=Gn | |
| 7 =W-Gn | 14=Gr-R | 21=R | |

A52



- | | |
|----------|----------|
| 1 --- | 14=Br-SB |
| 2 =W-Br | 15=Gn |
| 3 --- | 16=SB |
| 4 =Br-Gr | 17=Br-Bl |
| 5 --- | 18=Y-R |
| 6 =Gr | 19=Y-SB |
| 7 =Y-Br | 20=Br-SB |
| 8 =Bl-R | 21=O→ |
| 9 --- | 22=SB |
| 10=Y | 23=SB |
| 11=O→ | 24=--- |
| 12=O→ | 25=Y |
| 13=SB | |

A54



Gn
Gr

B14

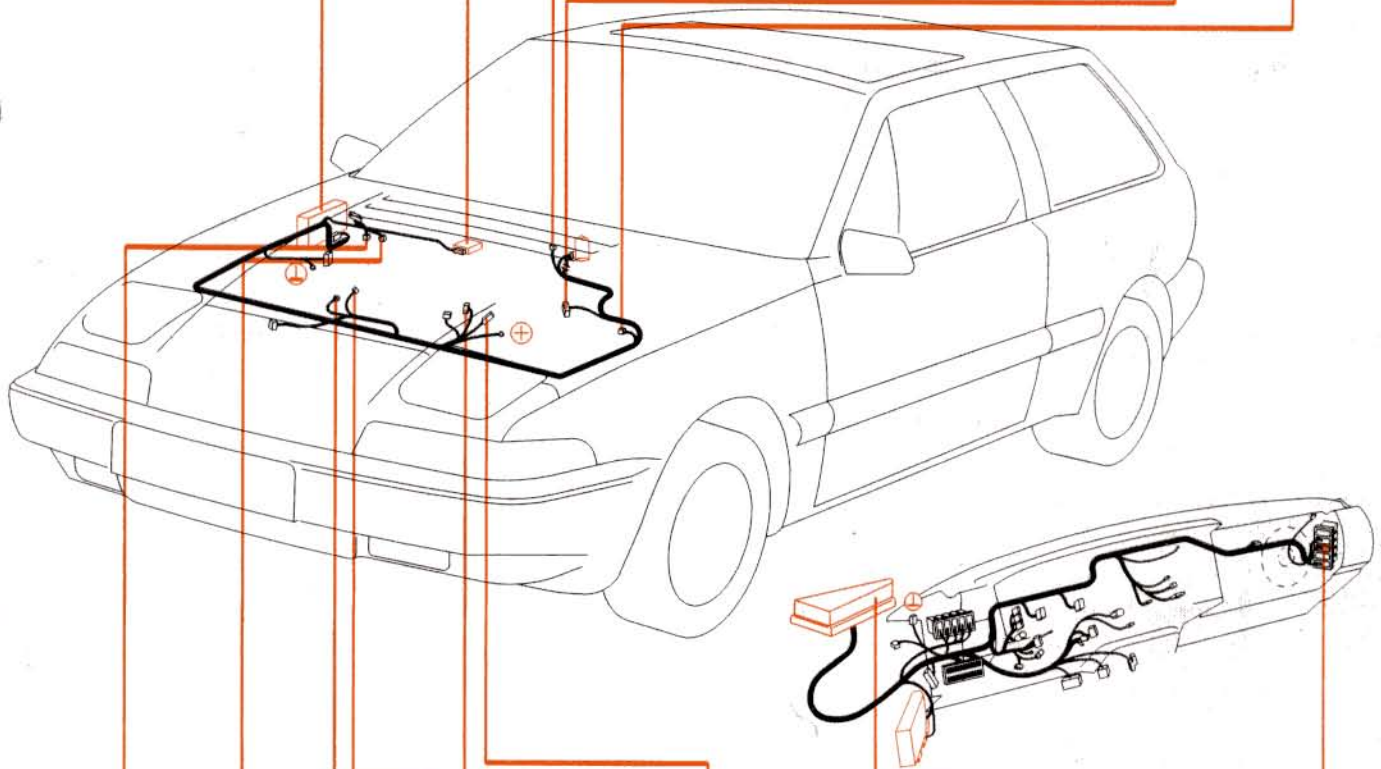


- | |
|---------|
| 1 =Br |
| 2 =W |
| 3 =W-Gn |
| 4 =Bl-Y |
| 5 =P |
| 6 =Gr-R |

B15



Gr-R
Gn
Br-SB

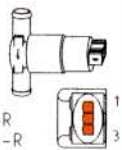


B2



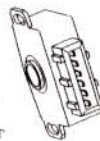
- | | |
|------|------|
| 30=R | 86=R |
| 85=R | 87=P |

B11



- | |
|---------|
| 1 =Y-R |
| 2 =Gr-R |
| 3 =Gr-W |

B18



- | |
|---------|
| 1 =SB |
| 2 =O→ |
| 3 =Y |
| 4 =Y-Br |
| 6 =Br |

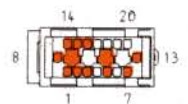
3.22



- | |
|-------|
| 30=P |
| 85=P |
| 86=Bl |
| 87=R |

c68R

c68R ↔ b35R



- | | |
|----------|---------|
| 1 =R | 11=Gr-R |
| 2 =Gn | 12=--- |
| 3 =Br-Gr | 13=Y-SB |
| 4 =--- | 14=P |
| 5 =Br | 15=W-Bl |
| 6 =--- | 16=Bl |
| 7 =Gn-Y | 17=--- |
| 8 =Br-Bl | 18=--- |
| 9 =Gr | 19=--- |
| 10=--- | 20=--- |

B12



- | | |
|---------|---------|
| 30=R | 86=P |
| 85=Gn-Y | 87=Gr-R |

B10



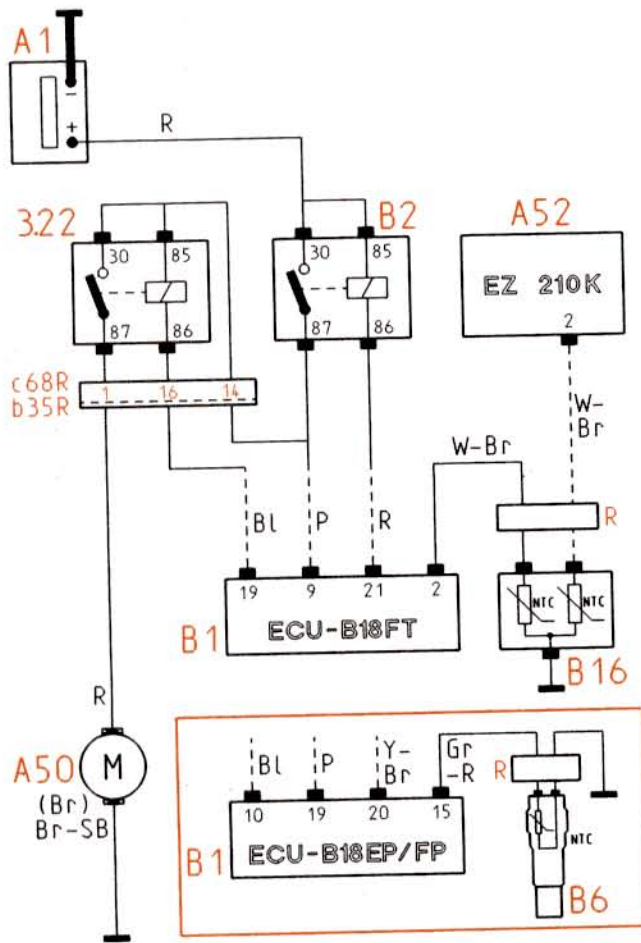
SB
O→

B16



- | |
|---------|
| 1 =W-Br |
| 2 =W-Br |

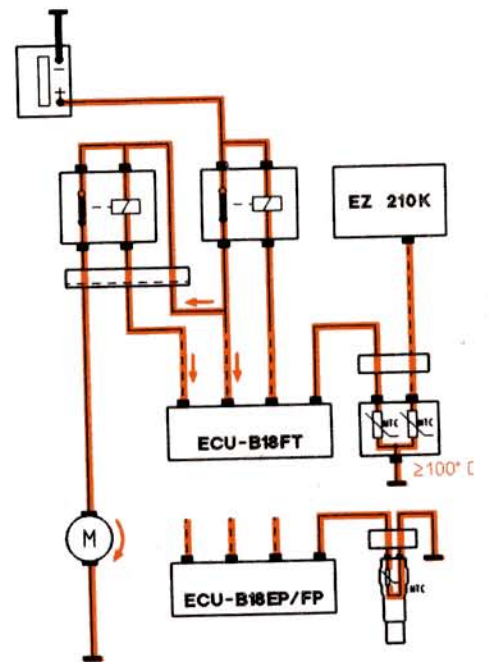
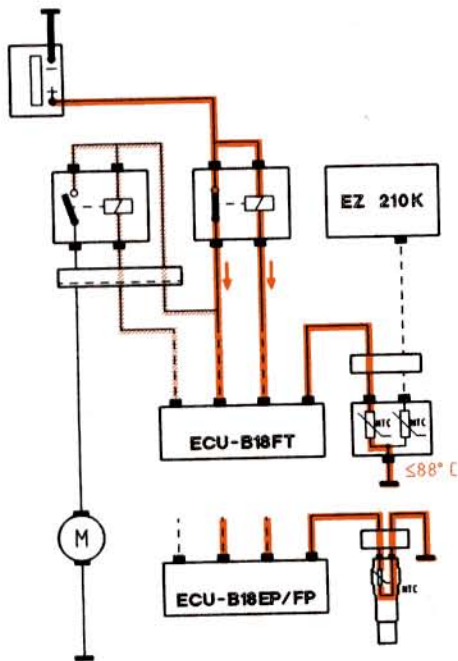
Auxiliary water pump, B18EP/FP and B18FT engines



- 3.22 (D) Relay, auxiliary water pump
- A50 Auxiliary water pump
- A52 Electronic ignition, B18FT
- B1 ECU, fuel injection system
- B2 Relay, fuel injection system
- B6 Coolant temperature transmitter, B18EP/FP
- B16 Coolant temperature transmitter, B18FT

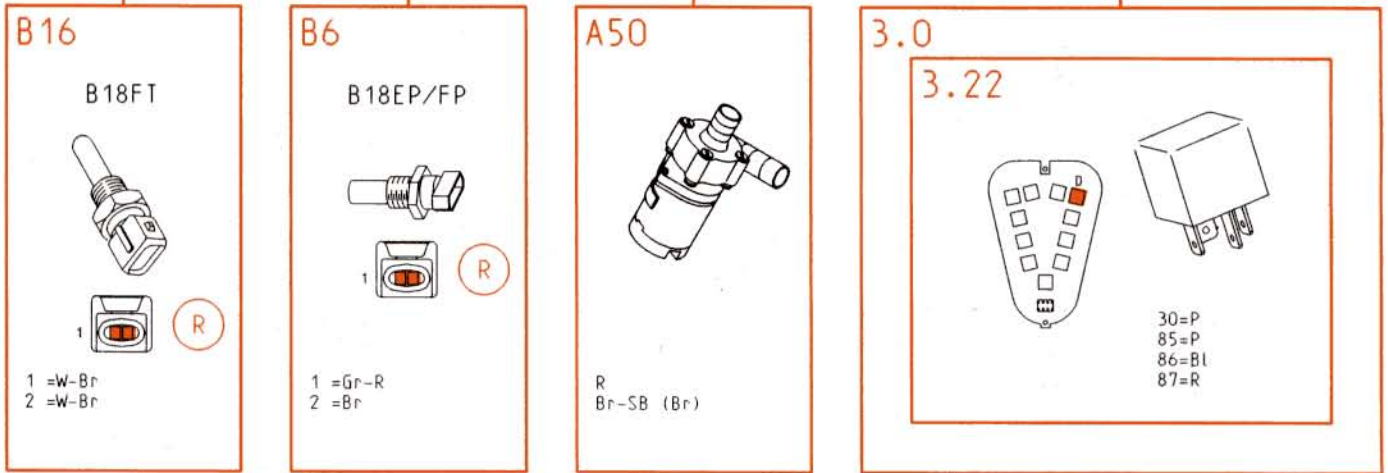
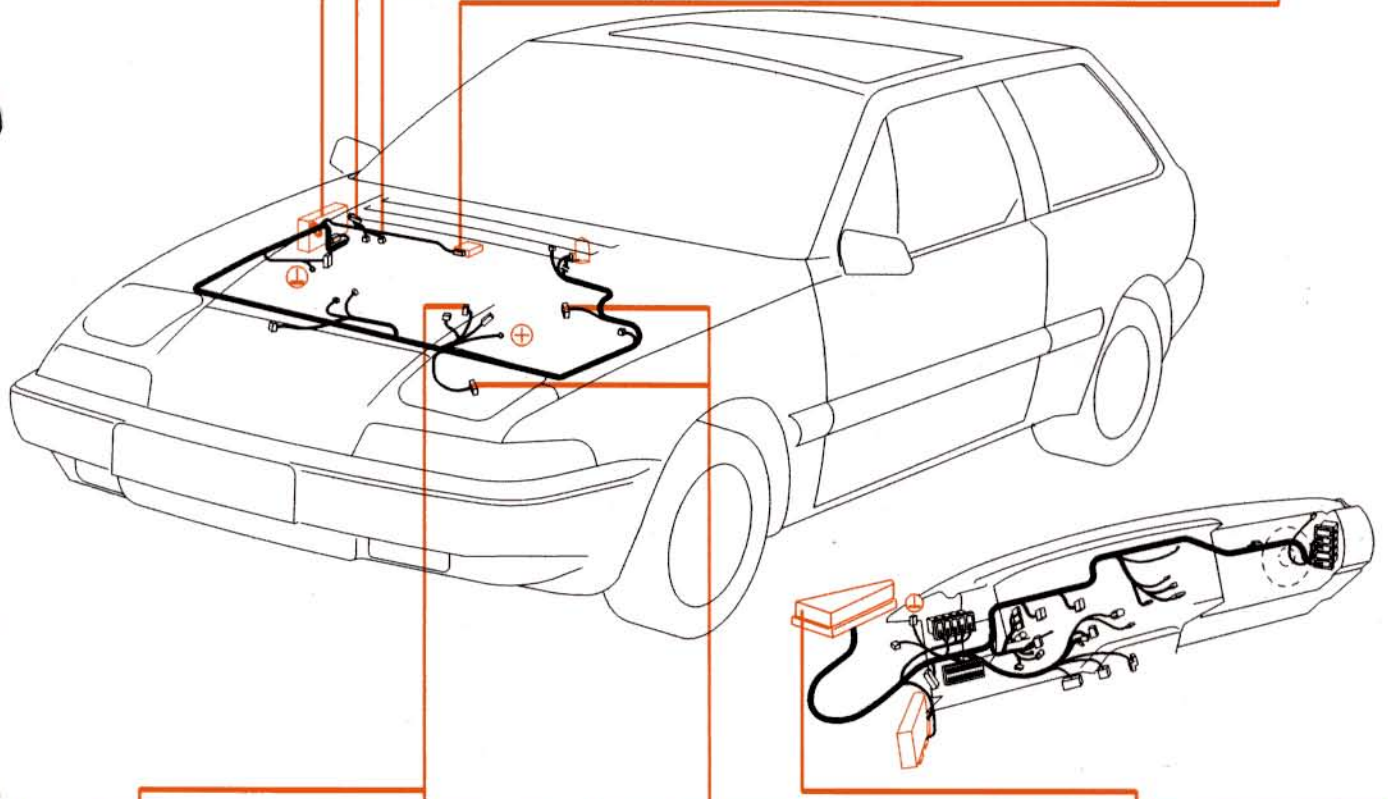
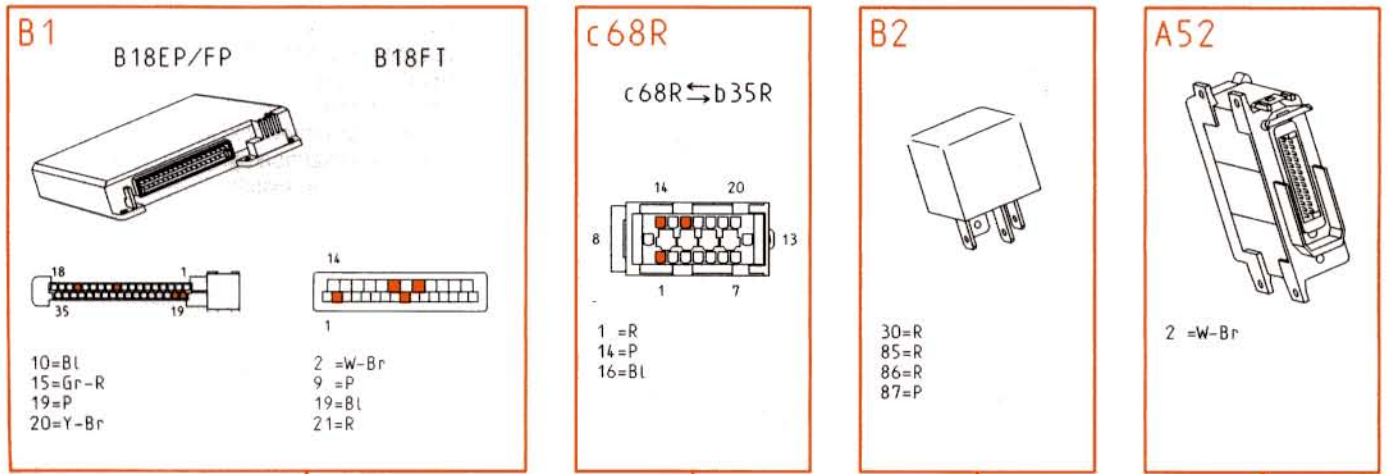
Ignition off, temperature <88°C, pump operates for approx. 1 minute

Ignition off, temperature >100°C, pump operates for approx. 20 minutes



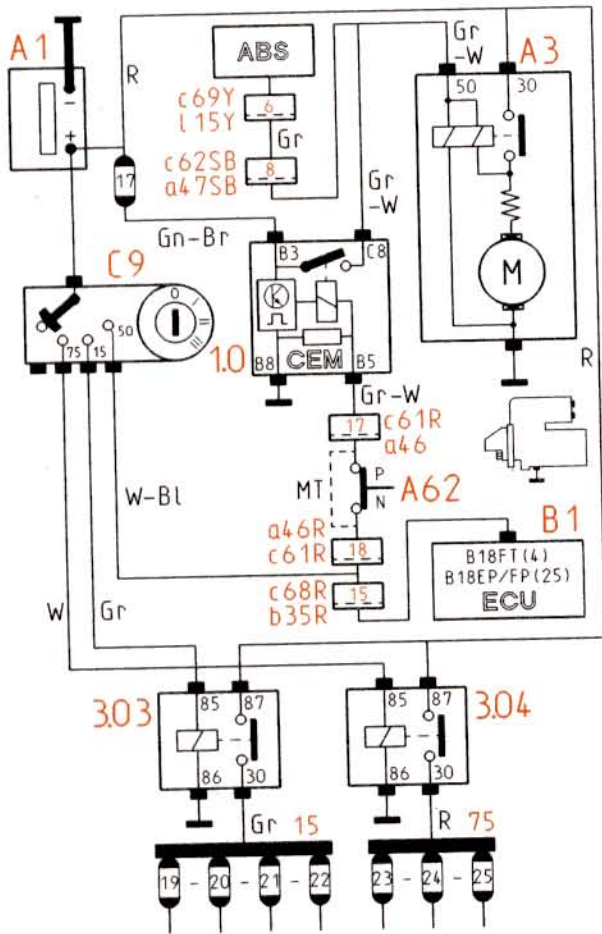
0-008/048

Auxiliary water pump, B18EP/FP and B18FT engines



Ignition/starter switch and start interlock (AT)

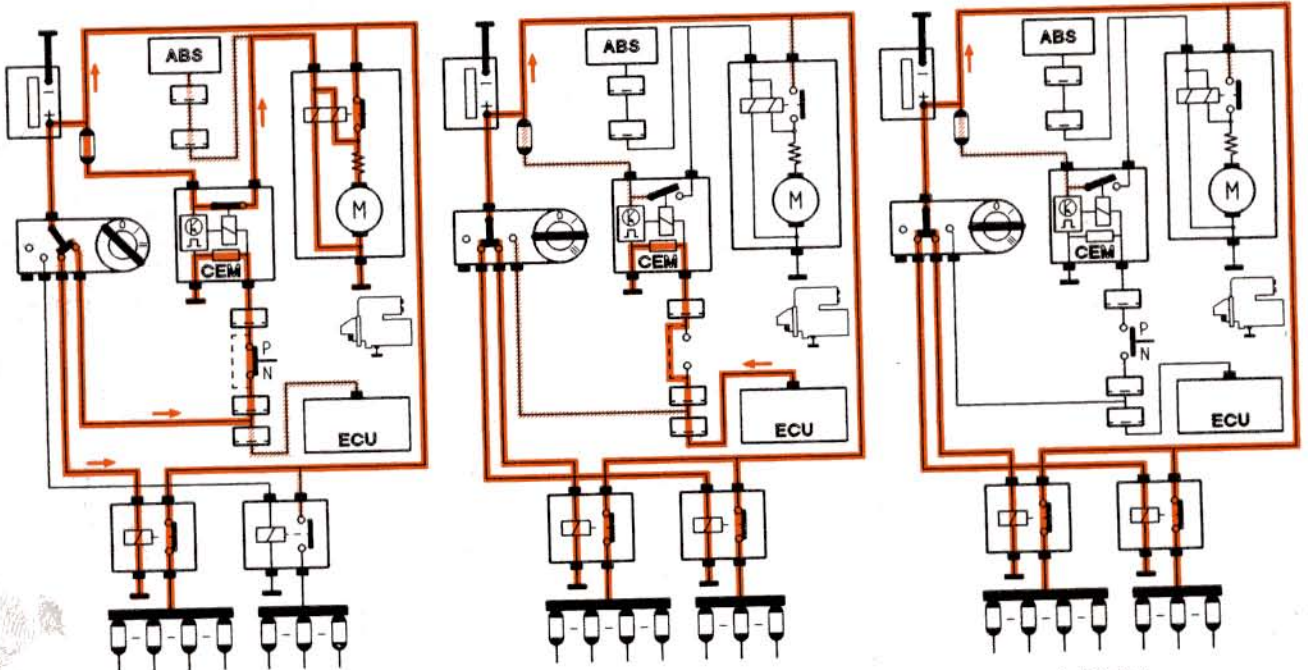
- 1.0 CEM
- 3.03 (C) Ignition relay 15
- 3.04 (B) Relay, terminal 75
- A3 Starter motor
- A62 Switch, start interlock, AT
- B1 ECU, fuel injection system
- C9 Ignition/starter switch



Starting, position III, starter motor cranking

Fuel injection system earthed via CEM. Engine torque adjusted

Driving. P/N switch open. Engine torque = 175 Nm



0-008/016

Ignition/starter switch and start interlock (AT)

B1

B18EP/FP B18FT

B18EP/FP (4) B18FT (25)

A62

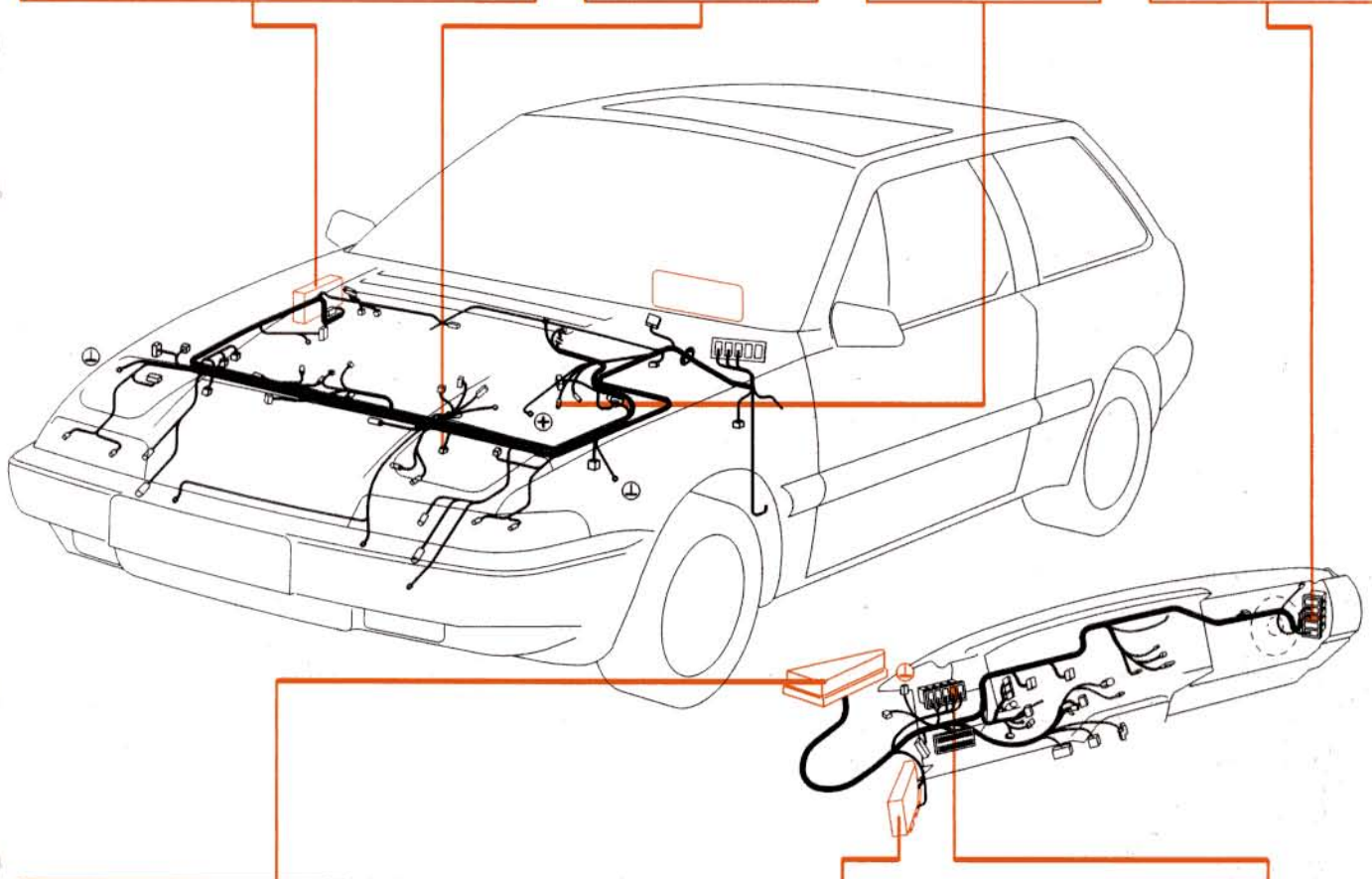
W-BL
Gr-W

A3

c68R

c68R ↔ b35R

15=W-BL



3.0

3.03

30=Gr
85=Gr
86=Br
87=R

3.04

30=R
85=W
86=Br
87=R

1.0

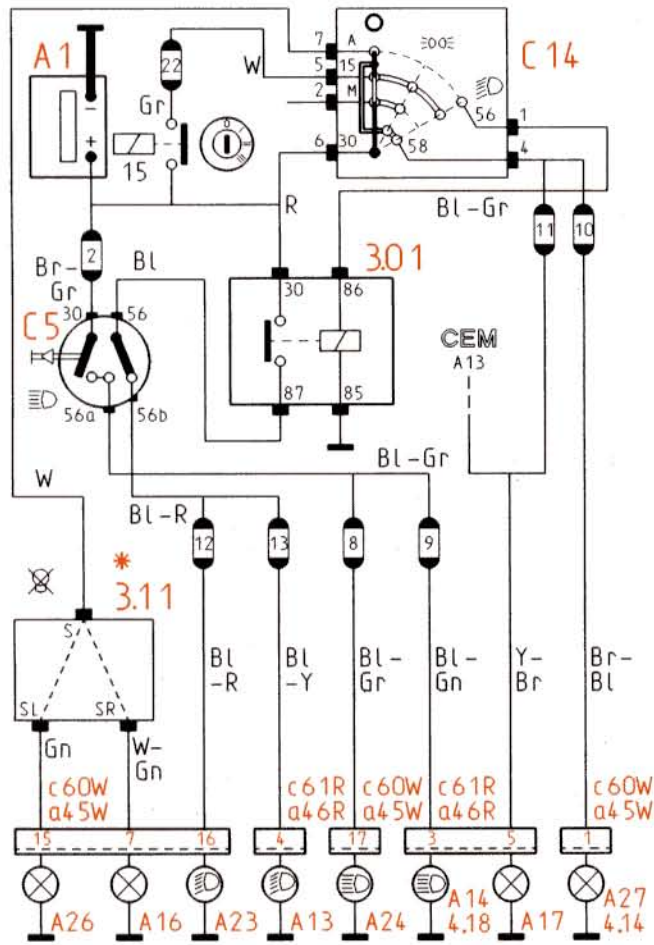
B3=Gr-Gr C8=Gr-W
B5=Gr-W
B8=Br

c61R

c61R ↔ a46R

17=Gr-W
18=W-BL

Front lights (with day running lights)

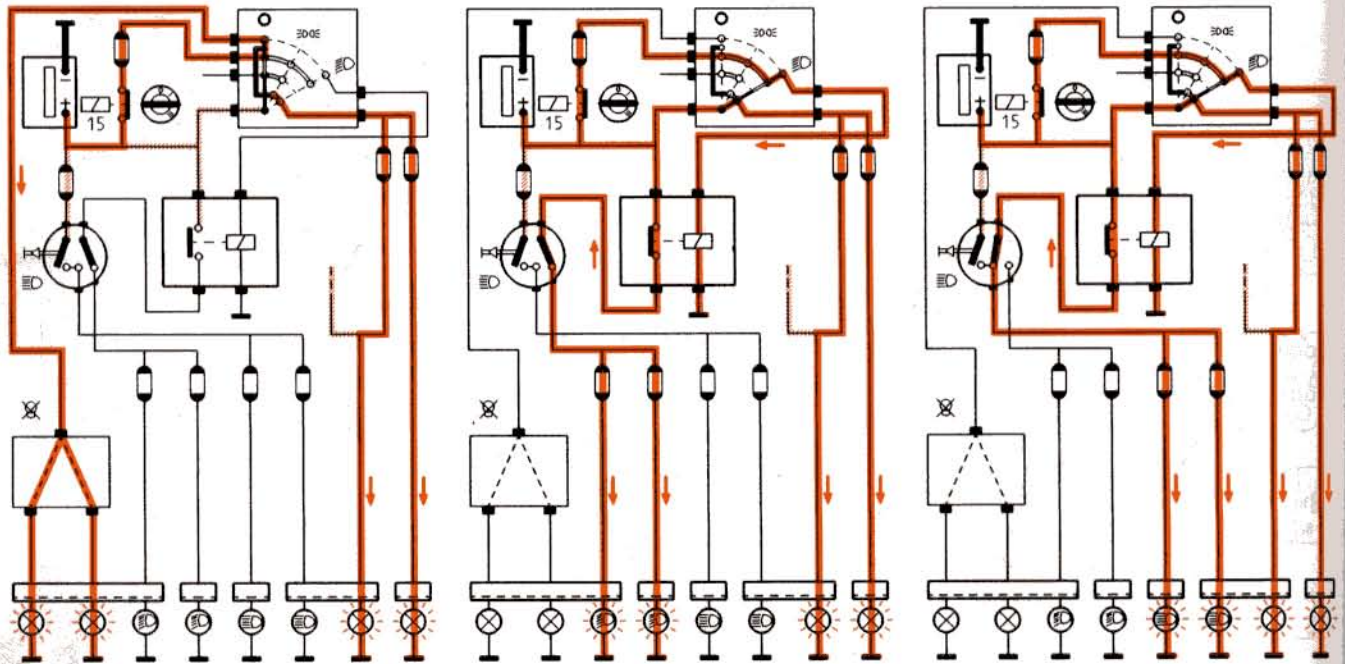


- 3.01 (A) Relay, headlights
- 4.14 Warning lamp, parking light
- 4.18 Warning lamp, main beam/headlight flash
- A13 RH headlight, dipped beam
- A14 RH headlight, main beam
- A16 RH day running light
- A17 RH parking light
- A23 LH headlight, dipped beam
- A24 LH headlight, main beam
- A26 LH day running light
- A27 LH parking light
- C5 Main beam/dipped beam switch
- C14 Lighting switch

Ignition on, day running lights and parking lights on

Dipped beams on

Main beams on

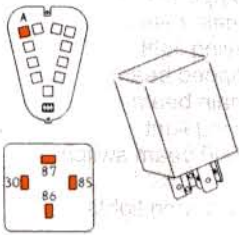


0-008/017A

Front lights (with day running lights)

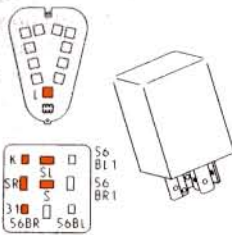
3.0

3.01



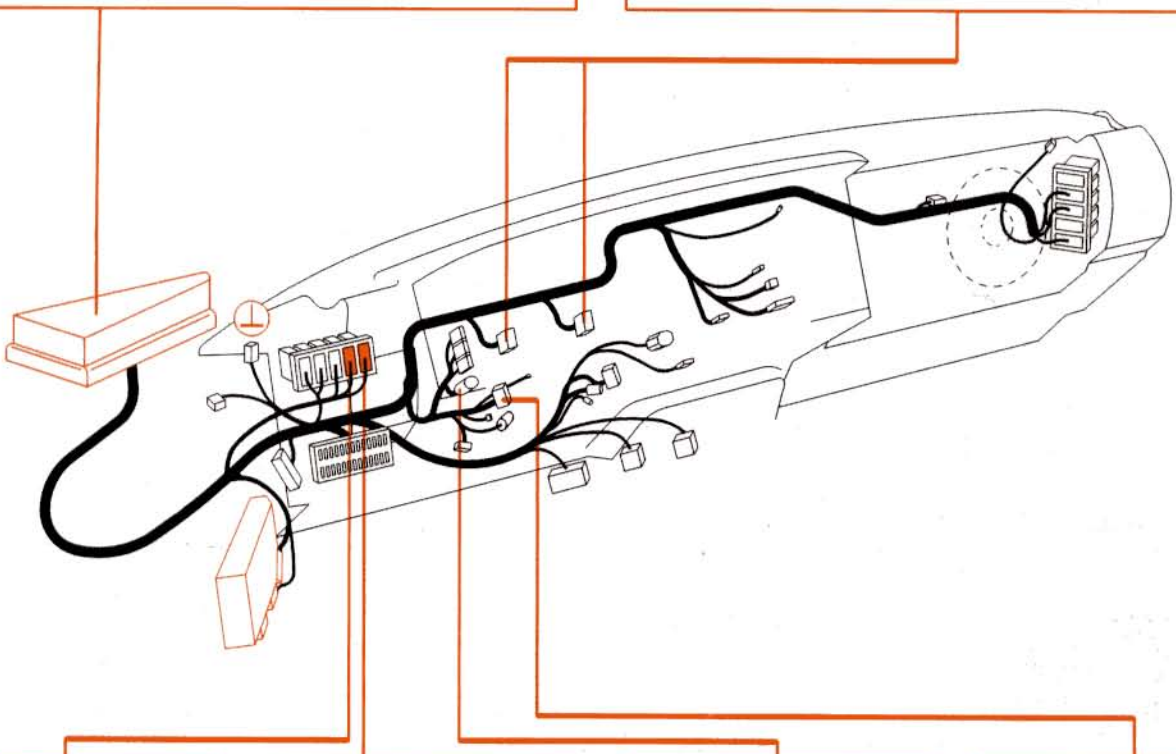
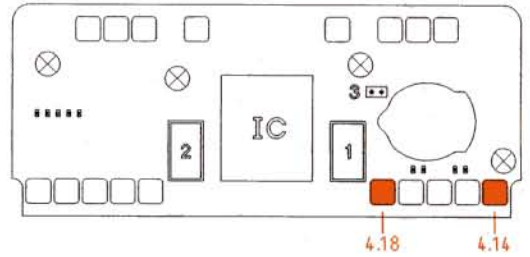
30=R
85=Br
86=Bl-Gr
87=Bl

3.11



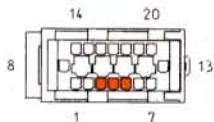
S =W
SL=Gn
SR=W-Gn
K =Bl
31=Br

4.0



c 61R

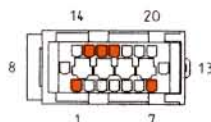
c 61R ↔ a 46R



3 =Bl-Gn
4 =Bl-Y
5 =Y-Br

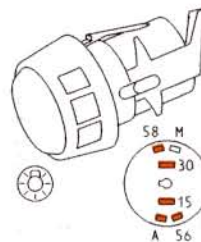
c 60W

c 60W ↔ a 45W



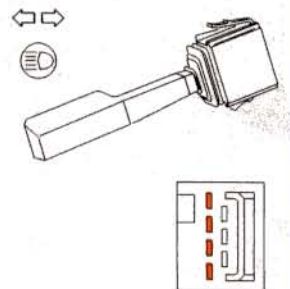
1 =Br-Bl
7 =W-Gn
15=Gn
16=Bl-R
17=Bl-Gr

C 14



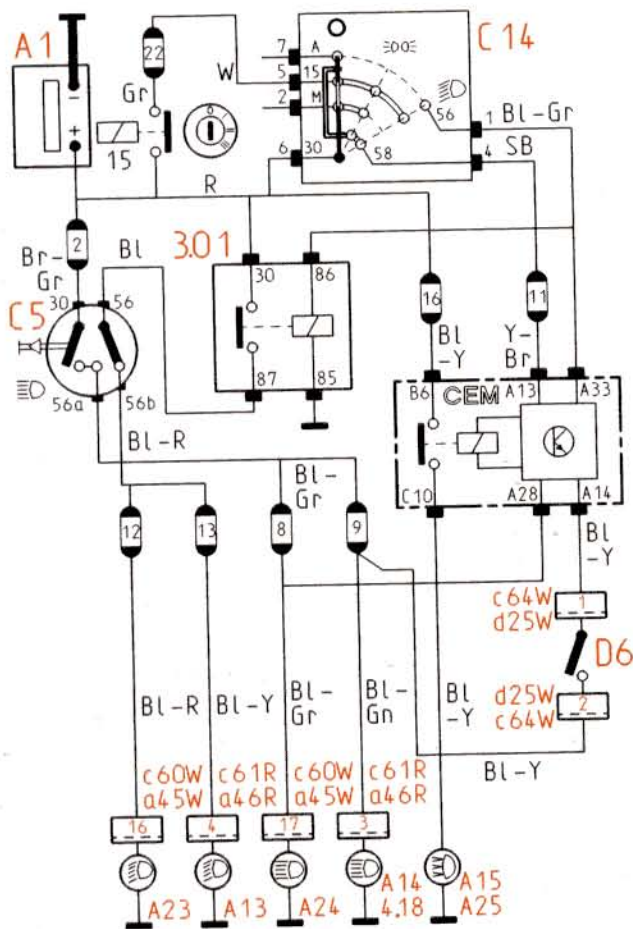
A =W
15=W
30=R
56=Bl-Gr
58=SB

C 5



30 =Br-Gr
56 =Bl
56a=Bl-Gr
56b=Bl-R

Headlight flash, auxiliary driving lights, driveway illumination

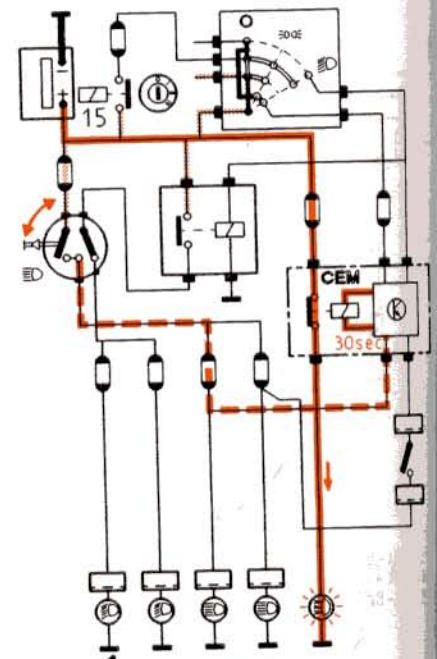
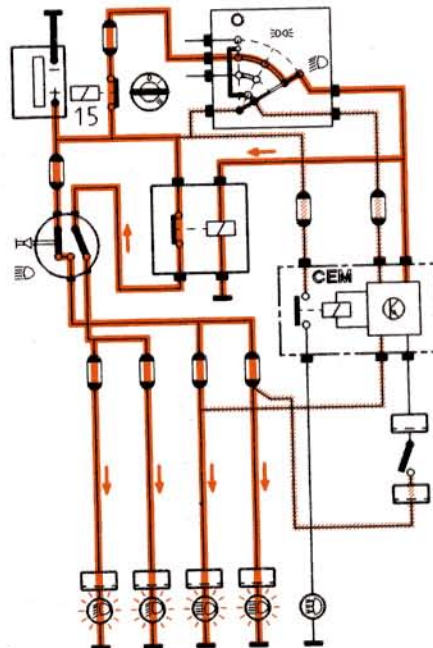
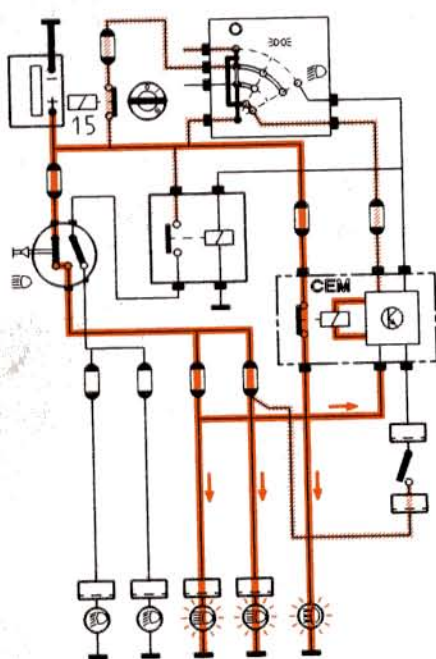


- 1.0 CEM
- 3.01 (A) Relay, headlights
- 4.18 Warning lamp, main beam/headlight flash
- A13 RH headlight, dipped beam
- A14 RH headlight, main beam
- A15 RH auxiliary driving light
- A23 LH headlight, dipped beam
- A24 LH headlight, main beam
- A25 LH auxiliary driving light
- C5 Main beam/dipped beam switch
- C14 Lighting switch
- D6 Switch, auxiliary driving lights

Headlight flash, daytime use (only auxiliary driving lights visible)

Headlight flash, night-time use

Ignition off, headlight flash, driveway illumination on for 30 seconds



0-008/017B

Headlight flash, auxiliary driving lights, driveway illumination

3.0

3.01

30=R
85=Br
86=Bl-Gr
87=Bl

c61R

c61R ↔ a46R

3 =Bl-Gr
4 =Bl-Y

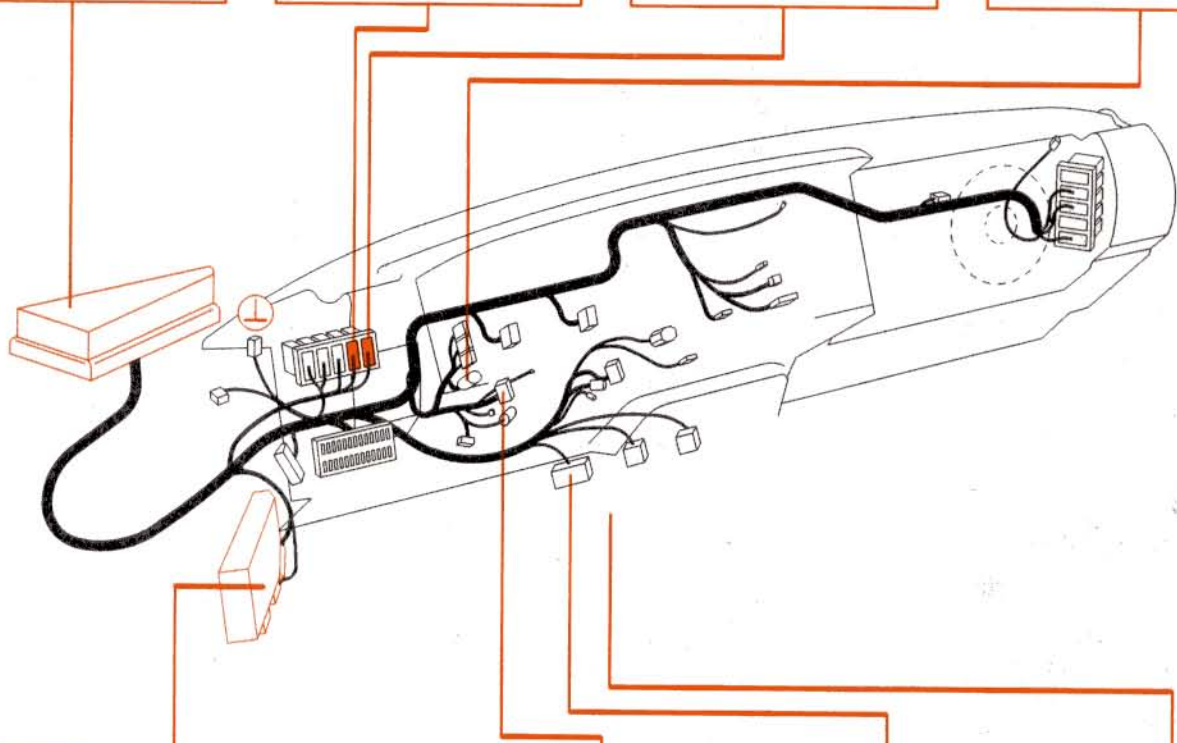
c60W

c60W ↔ a45W

16=Bl-R
17=Bl-Gr

C14

A =W
15=W
30=R
56=Bl-Gr
58=SB



1.0

A13=Y-Br
A14=Bl-Y
A28=Bl-Gr
A33=Bl-Gr

B6 =Bl-Y C10=Bl-Y

C5

30 =Br-Gr
56 =Bl
56a=Bl-Gr
56b=Bl-R

c64W

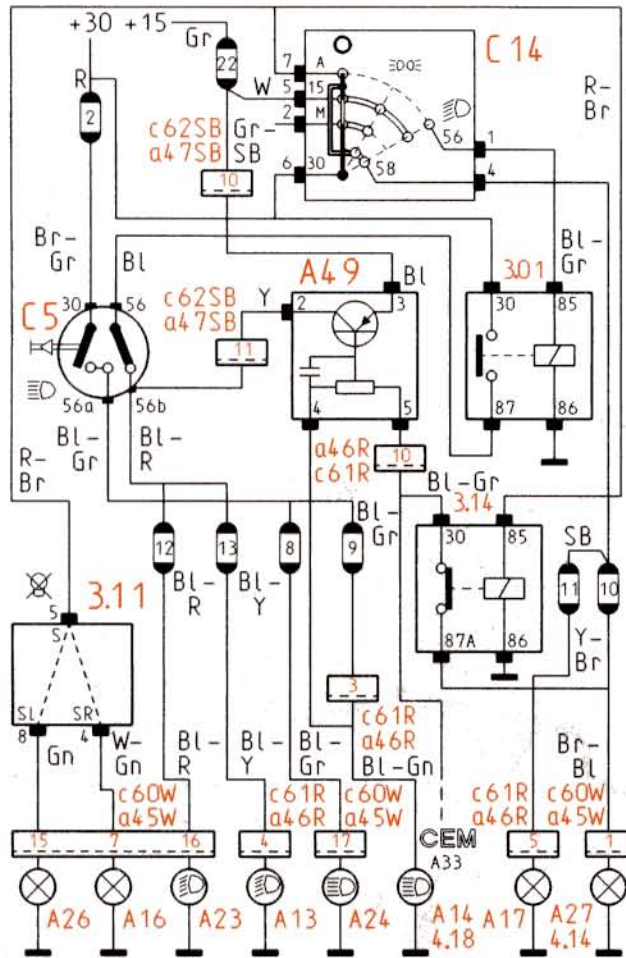
c64W ↔ d25W

1 =Bl-Y
2 =Bl-Y

D6

1 =Bl-Y
2 =Bl-Y

Dimmed-dip beams, dipped beams (GB)

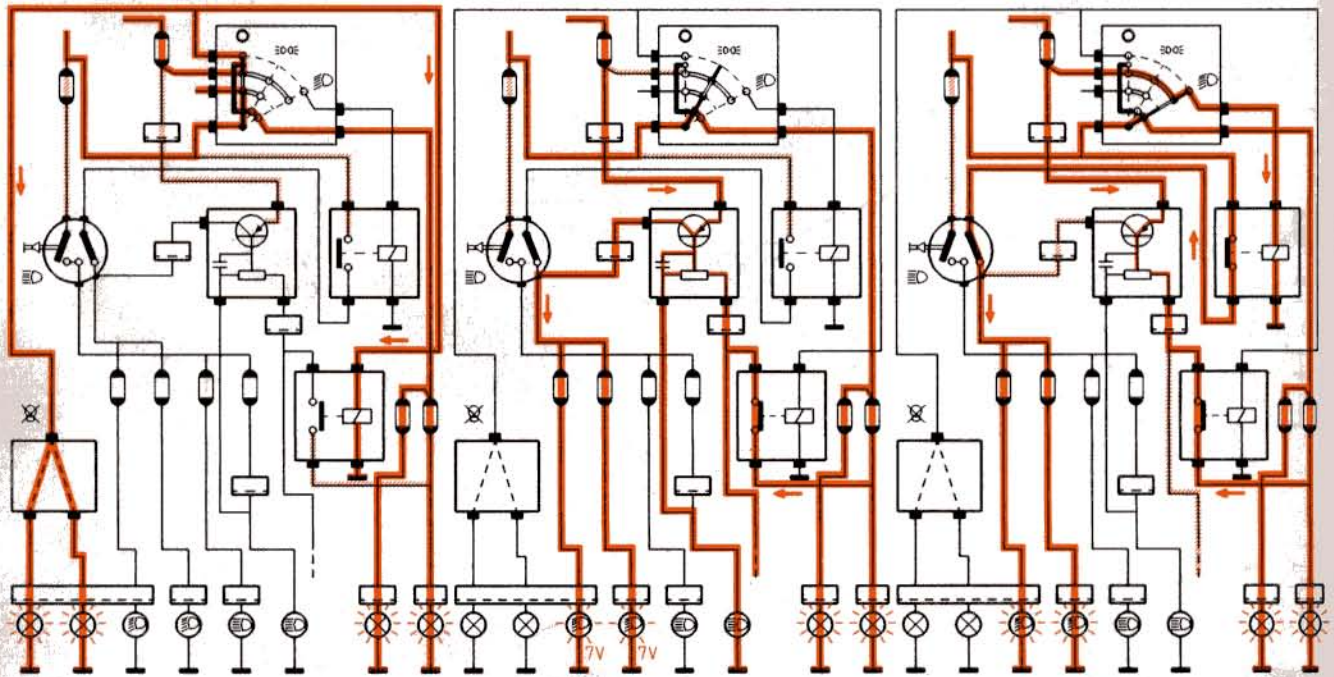


- 3.01 (A) Relay, headlights
- 3.11 (L) Bulb failure detector, front lights
- 3.14 (G) Inhibitor relay, dimmed-dip beams (GB)
- 4.14 Warning lamp, parking light
- 4.18 Warning lamp, main beam/headlight flash
- A13 RH headlight, dipped beam
- A14 RH headlight, main beam
- A16 RH day running light
- A17 RH parking light
- A23 LH headlight, dipped beam
- A24 LH headlight, main beam
- A26 LH day running light
- A27 LH parking light
- A49 Dimmed-dip beams relay (GB)
- C5 Main beam/dipped beam switch
- C14 Lighting switch

Day running lights (inhibitor relay 3.14 open, dimmed-dip beams relay blocked)

Dimmed-dip beams (earth for dimmed-dip beams relay via filament of A14)

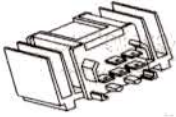
Dipped beams



0-008/025

Dimmed-dip beams, dipped beams (GB)

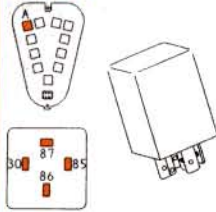
A49



- 2 = Y
- 3 = Bl
- 4 = Bl - Gn
- 5 = Bl - Gr

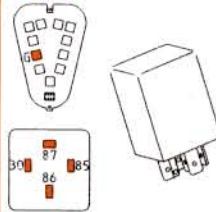
3.0

3.01



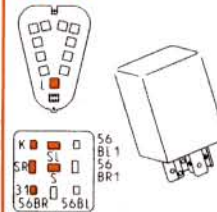
- 30=R
- 85=Bl - Gr
- 86=Br
- 87=Bl

3.14



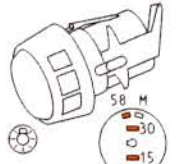
- 30=Bl - Gr
- 85=R - Br
- 86=Br
- 87=Br - Bl

3.11

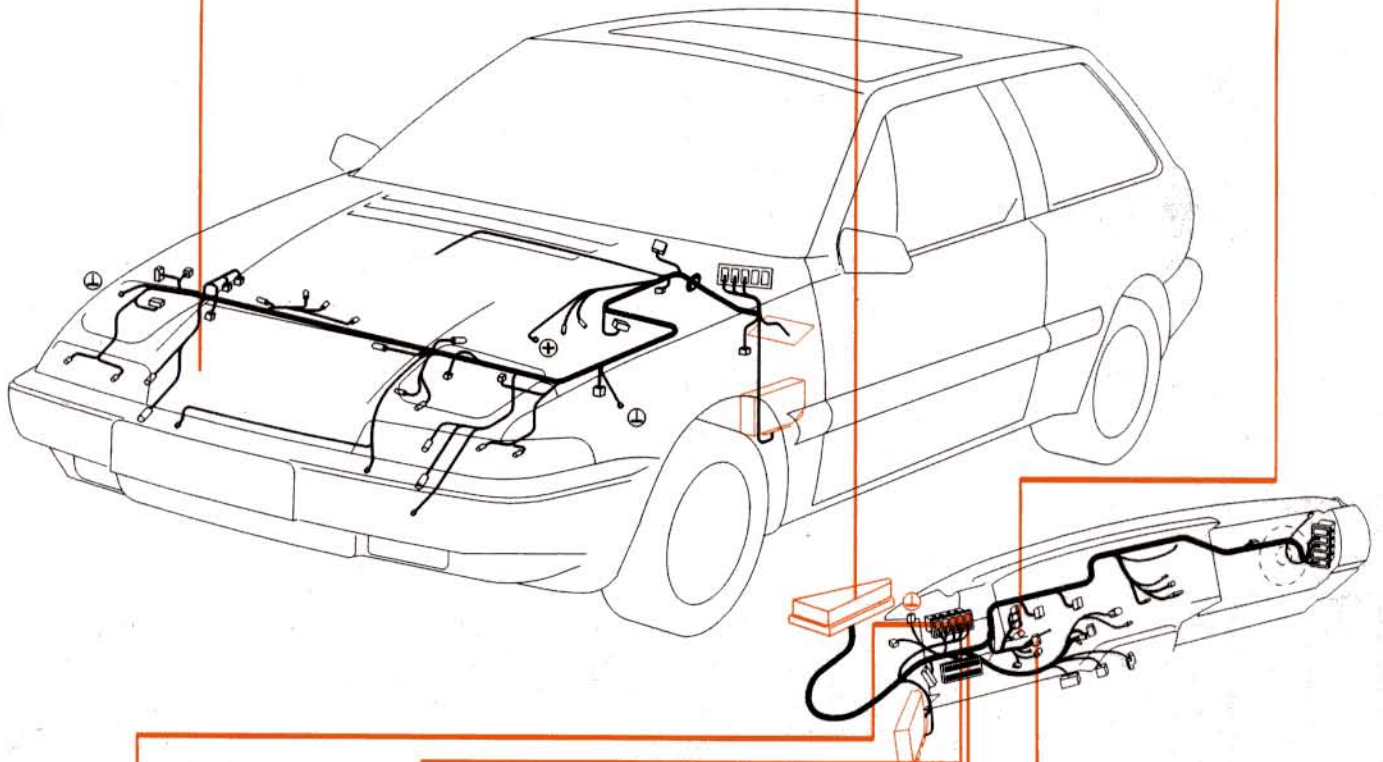


- 30=Bl - Gr
- 85=R - Br
- 86=Br
- 87=Br - Bl
- S = R - Br
- SL = Gn
- SR = W - Gn
- K = Bl
- 31=Br
- 56 = Bl 1
- 56 = Bl
- 56 BR 1

C 14

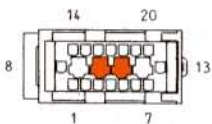


- A = R - Br
- 15=W
- 30=R
- 56=Bl - Gr
- 58=SB



c62SB

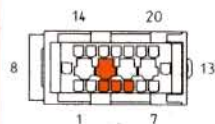
c62SB ↔ a47SB



- 10=Gr - SB (Bl)
- 11=Bl - R (Y)

c61R

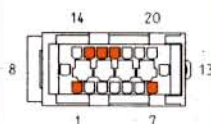
c61R ↔ a46R



- 3 = Bl - Gn
- 4 = Bl - Y
- 5 = Y - Br
- 10=Bl - Gr

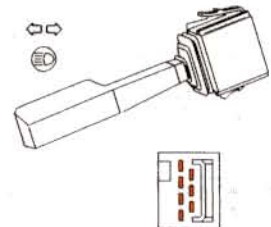
c60W

c60W ↔ a45W



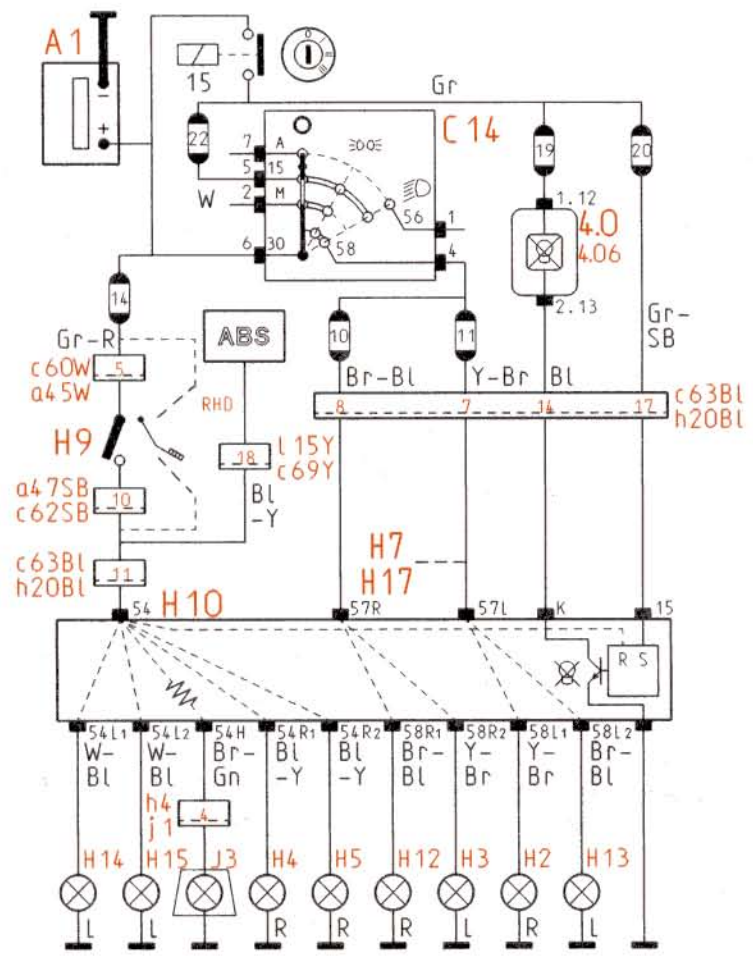
- 1 = Br - Bl
- 7 = W - Gn
- 15=Gn
- 16=Bl - R
- 17=Bl - Gr

C5



- 30 = Br - Gr
- 56 = Bl
- 56a=Bl - Gr
- 56b=Bl - R

Rear lights with brake lights and bulb failure detector

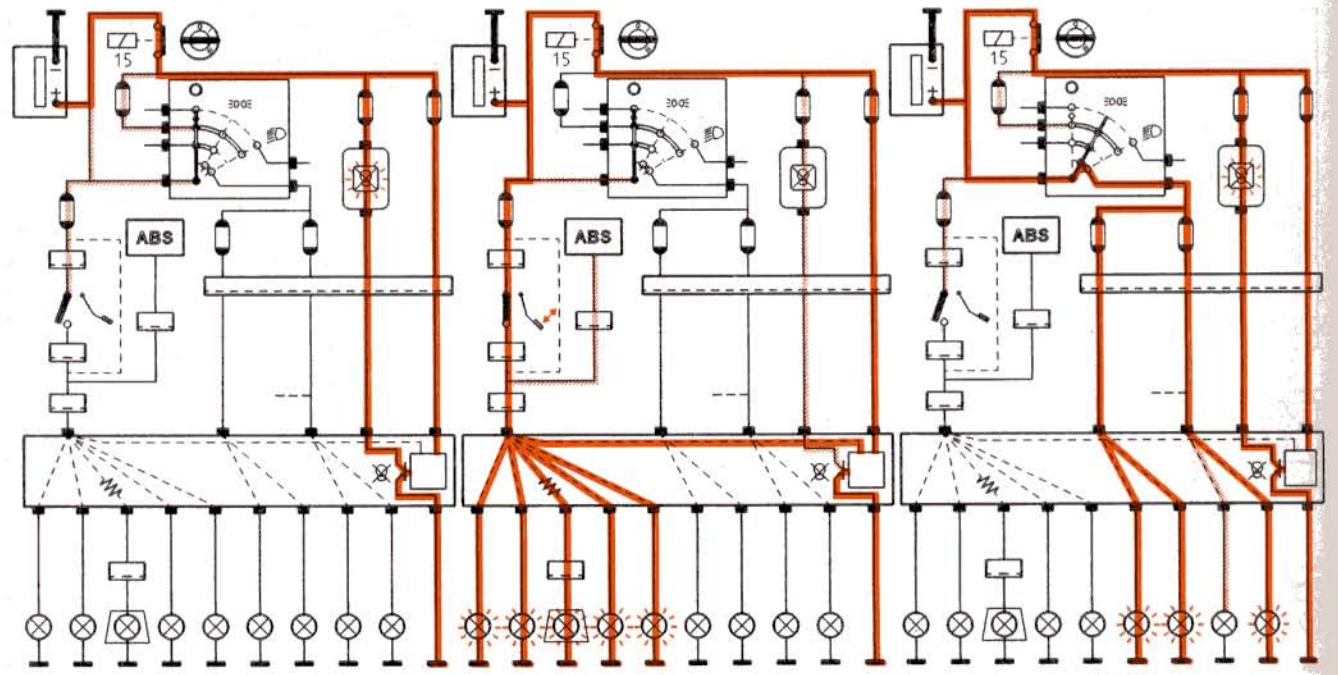


- 4.06 Warning lamp, bulb(s) failure
- C14 Lighting switch
- H2, H3 Tail light, right
- H4, H5 Brake light, right
- H7 Number plate light, right
- H9 Switch, brake lights
- H10 Bulb failure detector, rear lights
- H12, H13 Tail light, left
- H14, H15 Brake light, left
- H17 Number plate light, left
- J3 High-level brake light

Warning lamp on

Braking and warning lamp reset

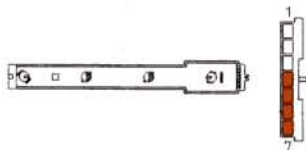
Rear lights, H2 bulb defective, warning lamp on



0-008/042

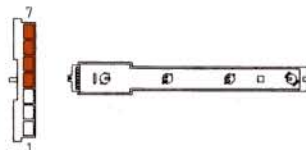
Rear lights with brake lights and bulb failure detector

H2



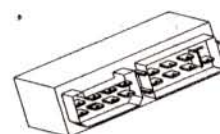
- 4 =Bl-Y
- 5 =Y-Br
- 6 =Y-Br
- 7 =Bl-Y

H12

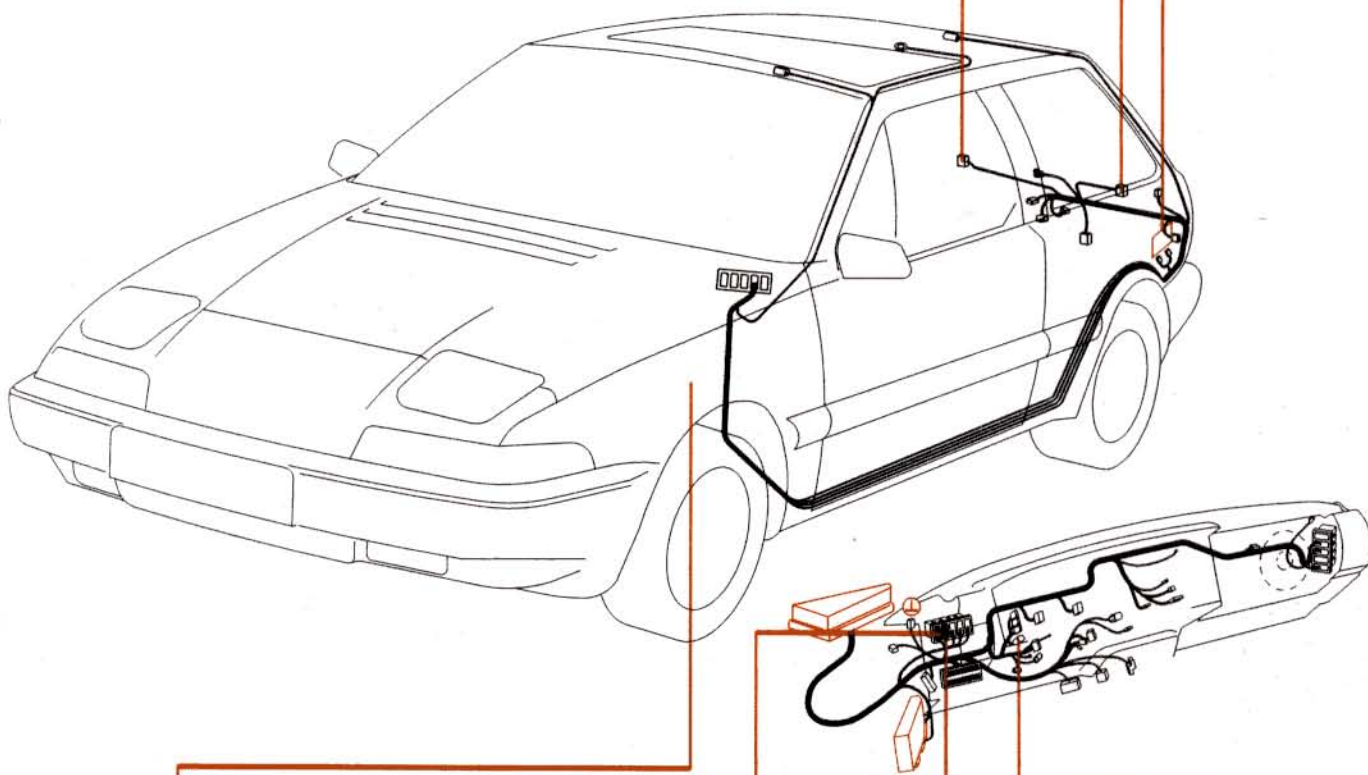


- 4 =W-Bl
- 5 =Bl-Y
- 6 =Bl-Y
- 7 =W-Bl

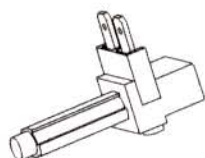
H10



- | | | | |
|----------|------|----------|------|
| 1 4 8 | | 1 4 8 | |
| <A> | | | |
| 1 =Br-Bl | 58L2 | 1 =Bl-Y | 54R2 |
| 2 =Br-Bl | 58R1 | 2 =W-Bl | 54L1 |
| 3 =Y-Br | 58R2 | 3 =W-Bl | 54L2 |
| 4 =Y-Br | 57R | 4 =Br-Gn | 54H |
| 5 =Y-Br | 58L1 | 5 =Bl-Y | 54 |
| 6 =Y-Br | 57L | 6 =Gr-SB | 15 |
| 8 =Bl-Y | 54R1 | 8 =Bl | K |



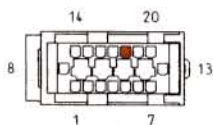
H9



- Gr-R
- Bl-Y

c69Y

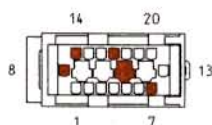
c69Y ↔ L15Y



- 18=Bl-Y

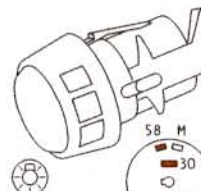
c63Bl

c63Bl ↔ h20Bl



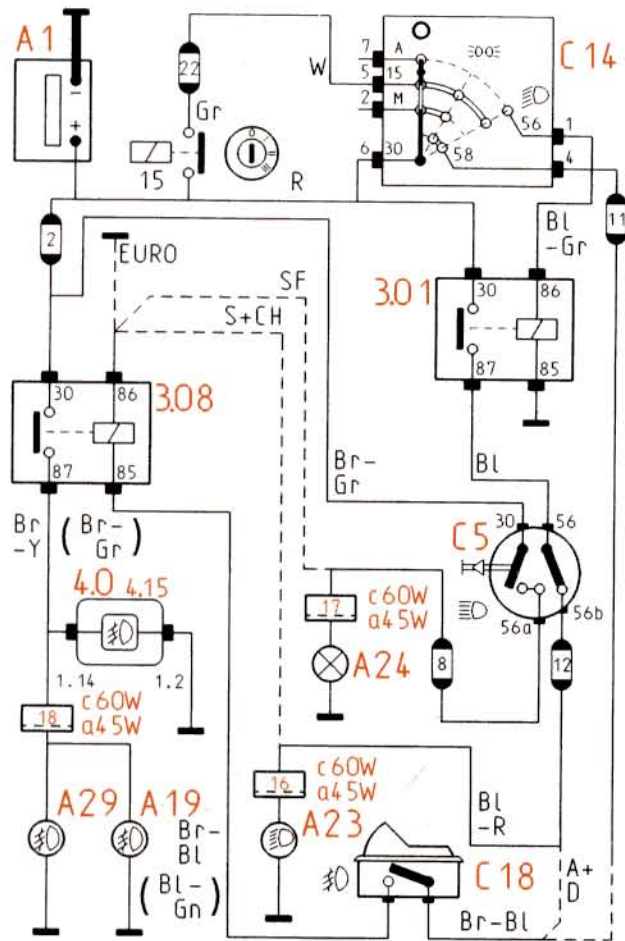
- 7 =Y-Br
- 8 =Br-Bl
- 11=Bl-Y
- 14=Bl
- 17=Gr-SB

C14



- 15=W
- 30=R
- 58=SB

Fog lights



- 3.01 (A) Relay, headlights
- 3.08 (H) Relay, fog lights
- 4.15 Warning lamp, fog lights
- A19 RH fog light
- A23 LH headlight, dipped beam
- A29 LH fog light
- A24 LH headlight, main beam
- C5 Main beam/dipped beam switch
- C14 Lighting switch
- C18 Fog light switch

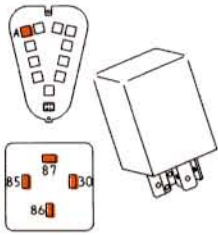
Fog light connections for the various market executions.
 S and CH : earth for relay 3.08 via filament of A23
 SF : earth for relay 3.08 via filament of A24

	D+A	S	CH	GB	N+NL	SF	EURO
⊗ (A)		×		×	—	×	
≡∞∞≡ (58)	—	×	×	×	×	×	×
≡∞∞≡ (56)	×	—	—	×	—	×	×
≡∞∞≡ (56)	—	×	×	×	—	—	×

Fog lights

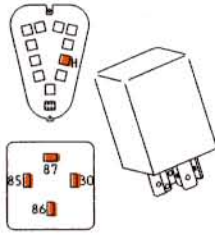
3.0

3.01



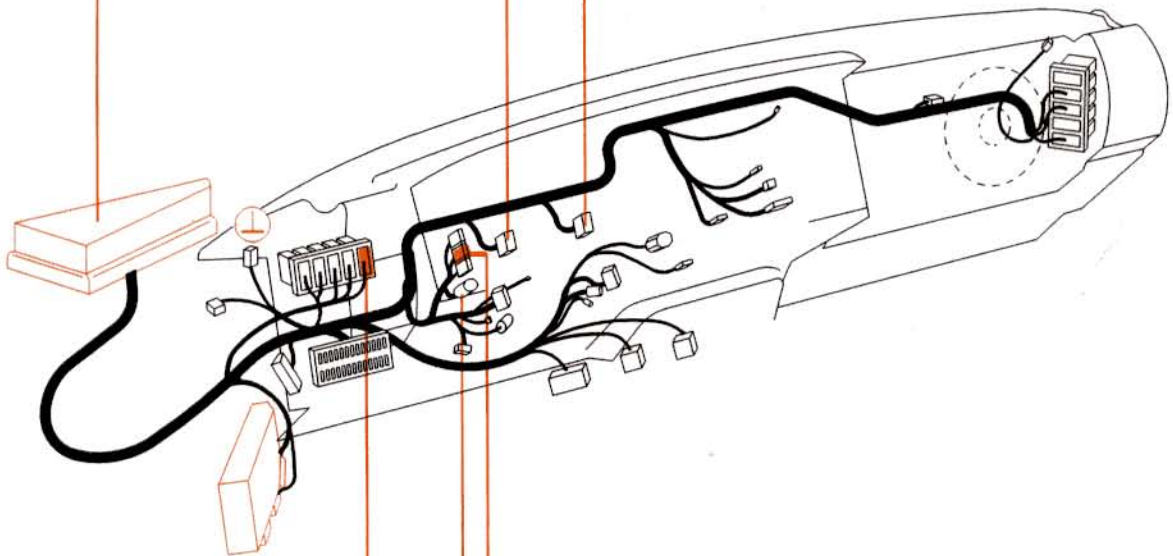
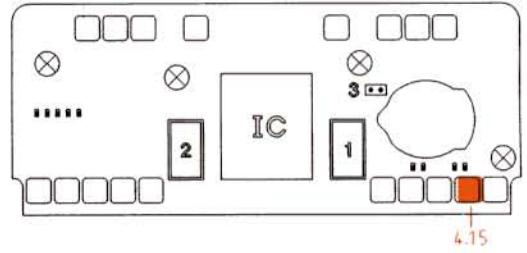
30=R
85=Br
86=Bl-Gr
87=Bl

3.08

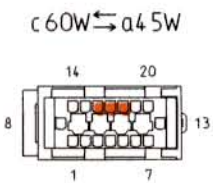


30=Br-Gr
85=Br-Bl (Bl-Gn)
86=Bl-R
87=Br-Y

4.0

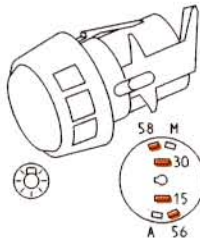


c 60W



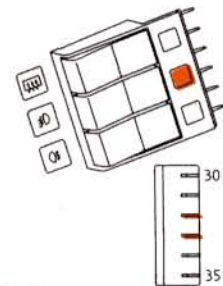
16=Bl-R
17=Bl-Gr
18=Br-Y (Br-Gr)

C 14



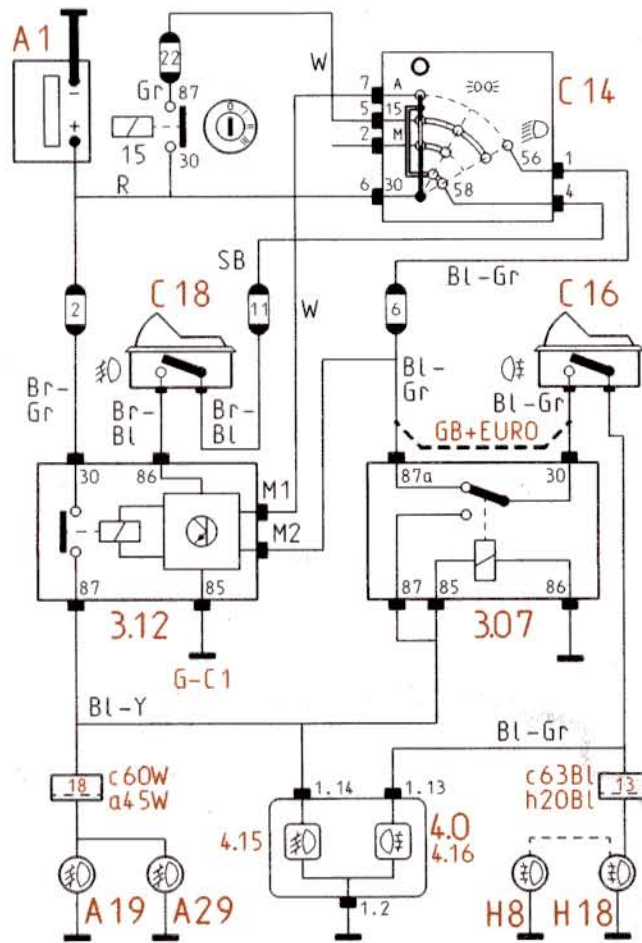
15=W
30=R
56=Bl-Gr
58=SB

C 18



32=Br-Bl
33=Br-Bl (Bl-Gn)

Fog lights (N and NL) and rear fog lamps (EURO)



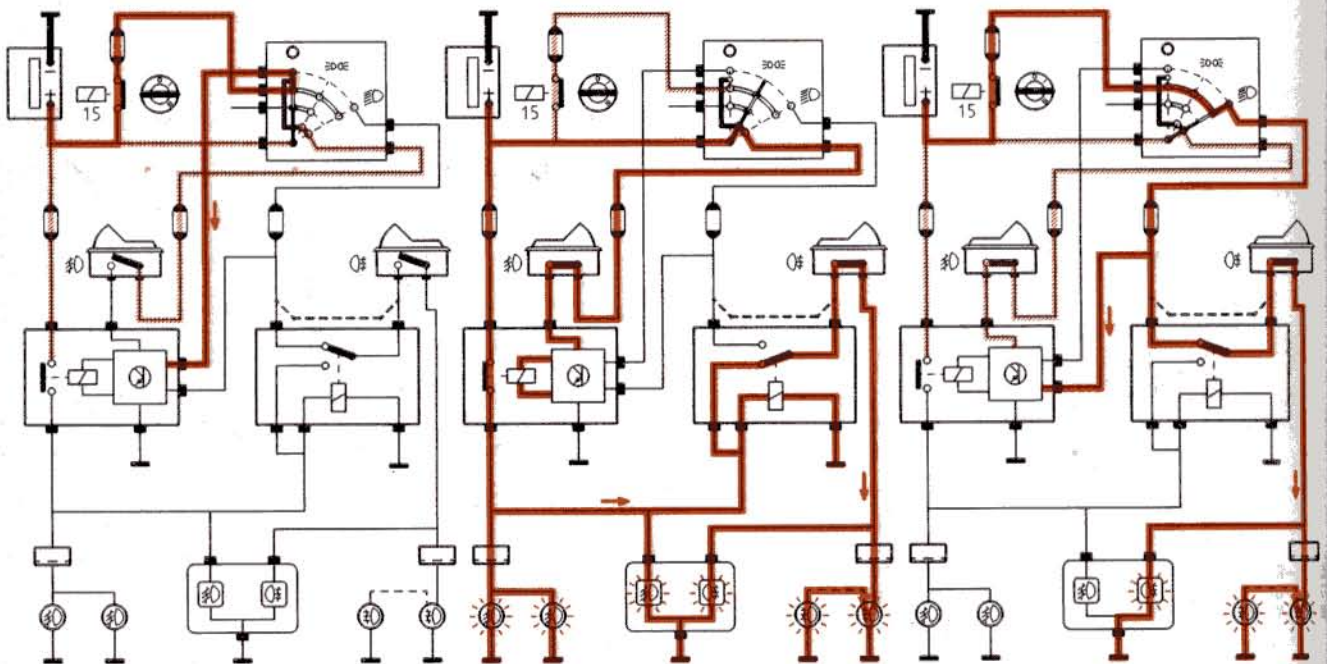
- 3.07 (G) Relay, rear fog lamps (NL, N)
- 3.08 (H) Relay, fog lights
- 3.12 (E) Relay, fog lights (NL, N)
- 4.15 Warning lamp, fog lights
- 4.16 Warning lamp, rear fog lamp
- A19 RH fog light
- A29 LH fog light
- C5 Main beam/dipped beam switch
- C14 Lighting switch
- C16 Switch, rear fog lamp
- C18 Fog light switch
- H8 Bulb, rear fog lamp, right
- H18 Bulb, rear fog lamp, left
- G-C1 Earth on LH A-pillar

(Note. EURO: 3.07 is a bridge;
GB: 3.07 not present.)

Day running lights on, fog lights **cannot** be switched on

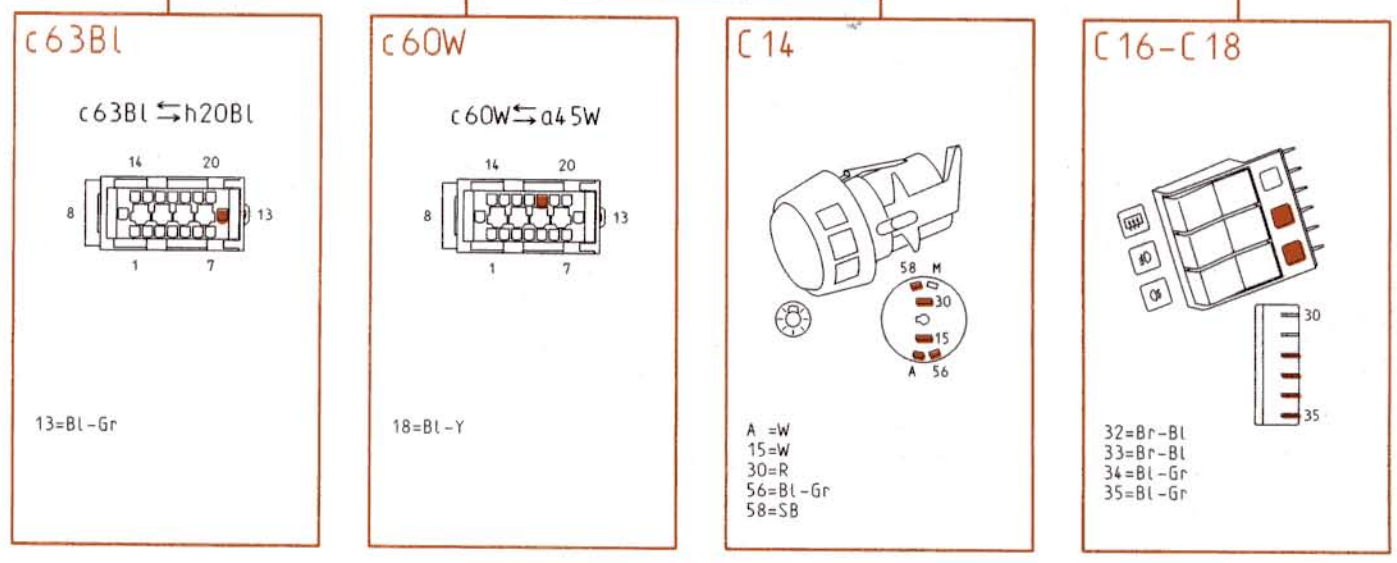
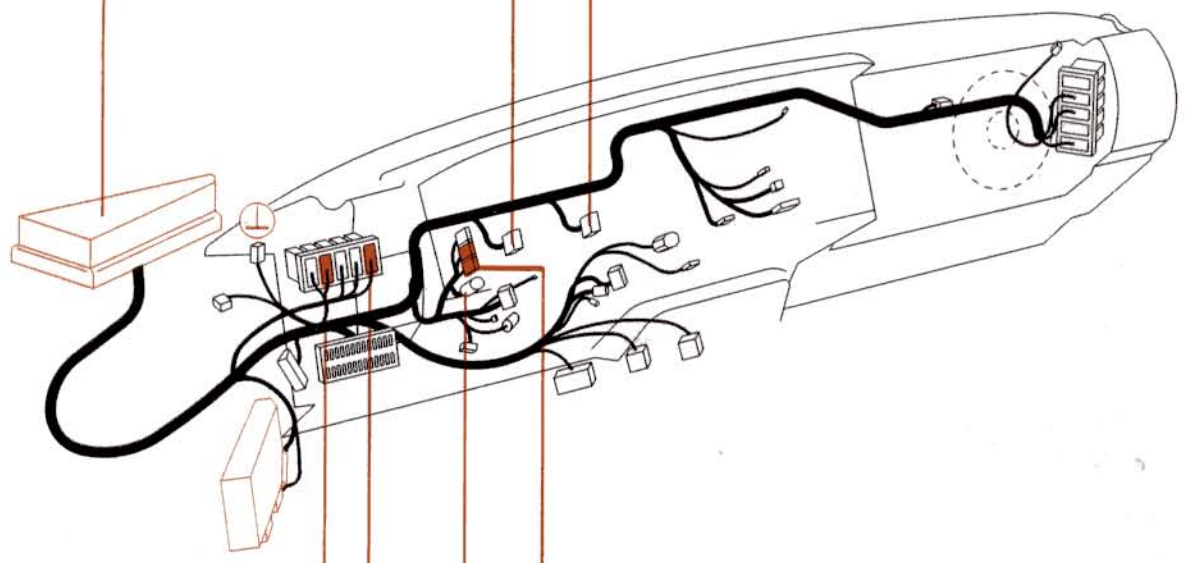
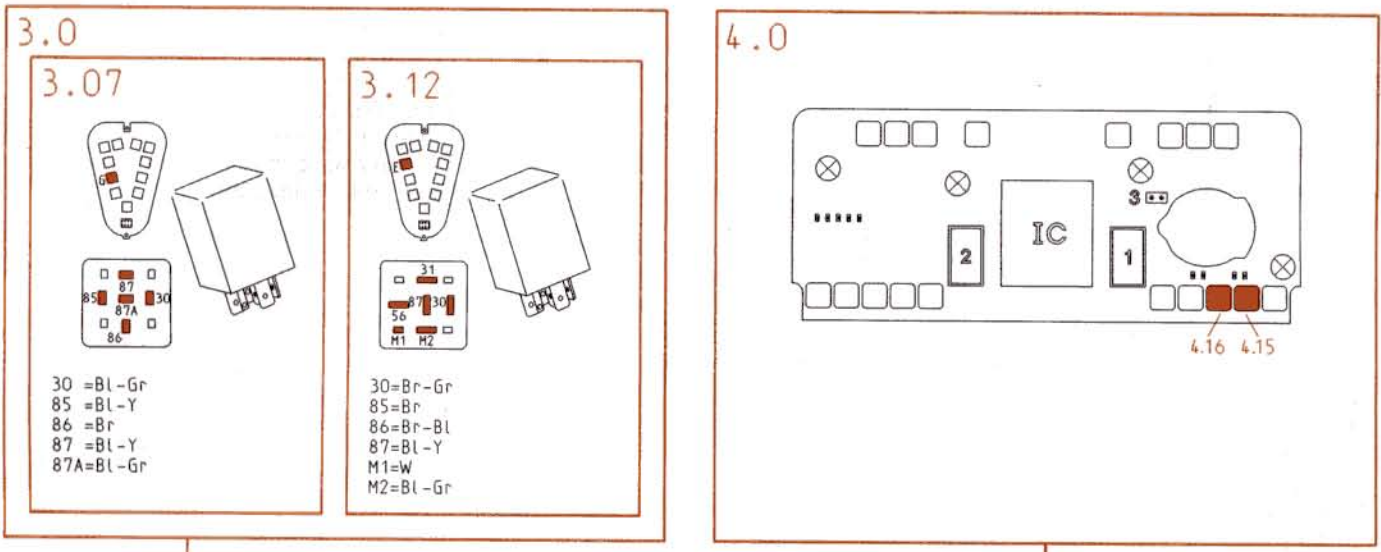
Parking light on, fog lights and rear fog lamp can be switched on

Dipped beam/main beam on, rear fog lamp can be switched on



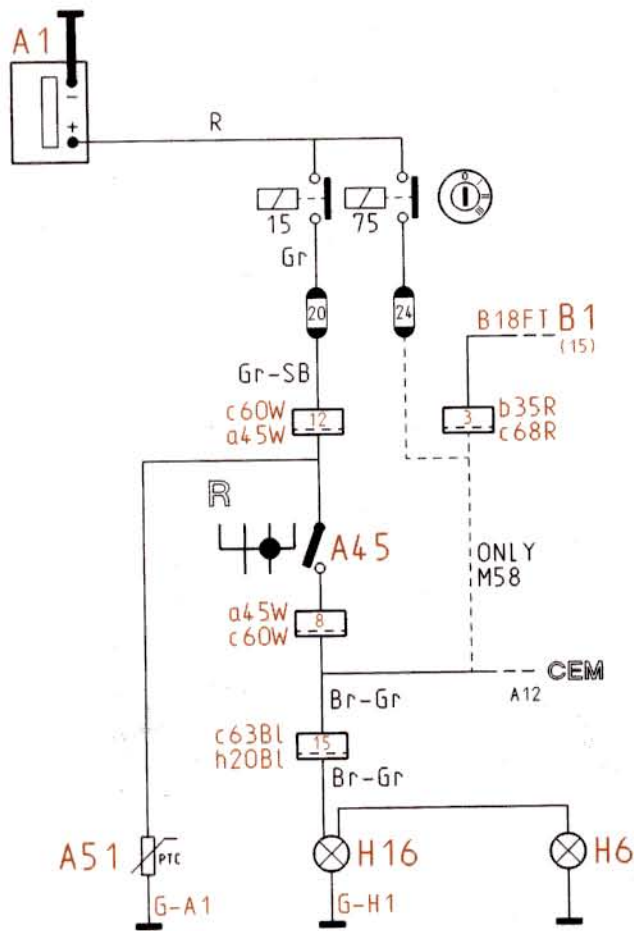
0-008/019

Fog lights (N and NL) and rear fog lamps (EURO)

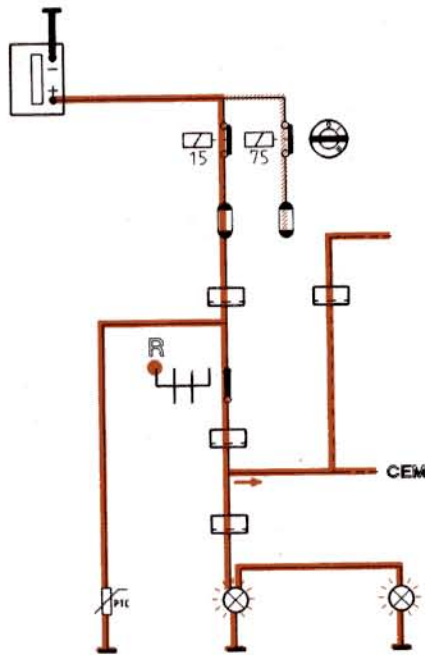


Reversing lights and crankcase heating

- A45 Switch, reversing lights
- A51 Heating, crankcase ventilation
- B1 ECU, fuel injection system
- H6 Reversing light bulb, right
- H16 Reversing light bulb, left
- G-A1 Earth in engine compartment, LH wing
- G-H1 Earth near LH tail light



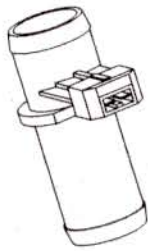
Ignition on, gear lever in position 'R'.
Engine torque adjusted for M58 gearbox



0-008/014

Reversing lights and crankcase heating

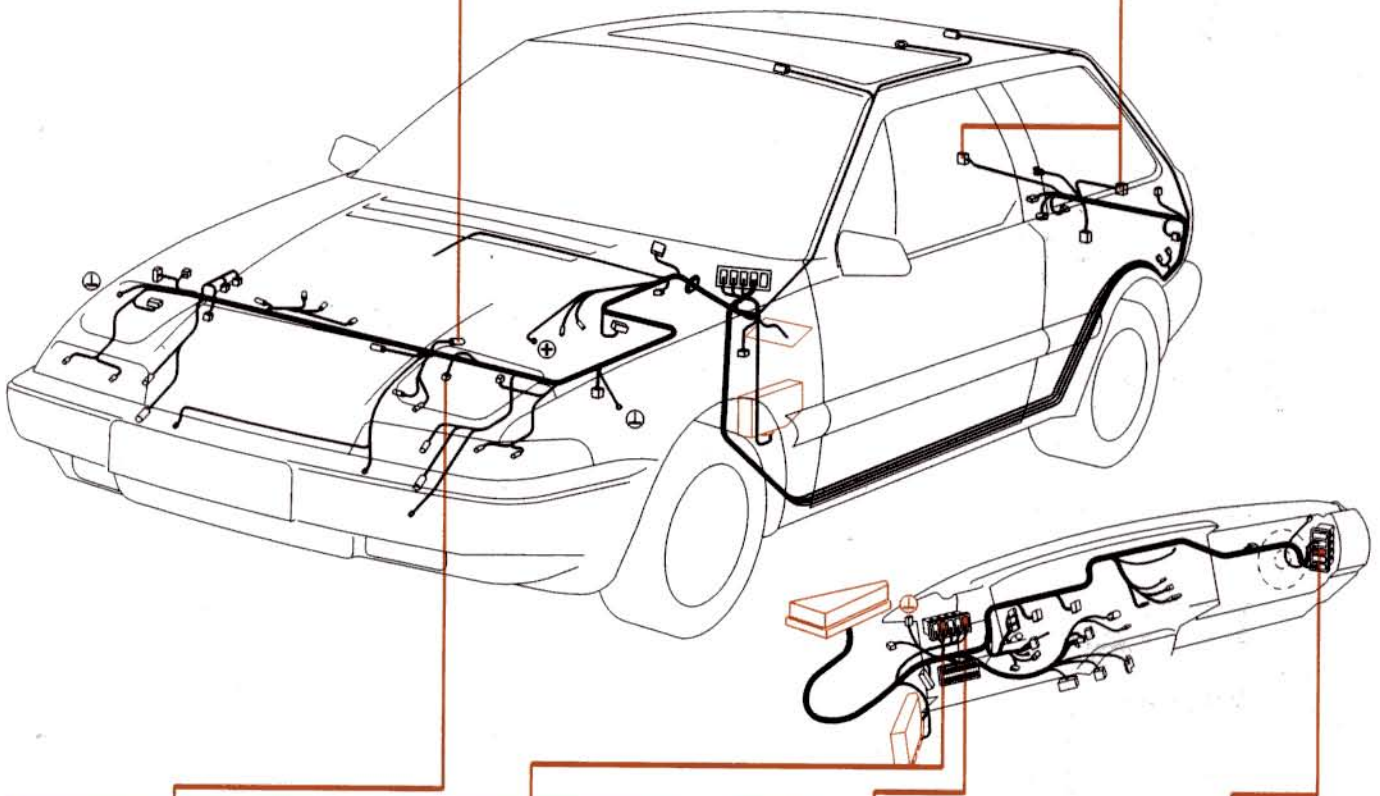
A51



H6-H16



3 = Br-Gr



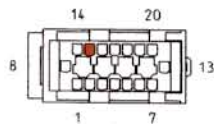
A45



Gr-SB
Br-Gr

c63Bl

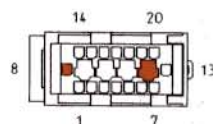
c60W ↔ a45W



15=Br-Gr

c60W

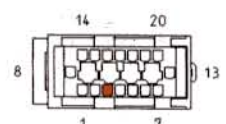
c63Bl ↔ h20Bl



8 = Br-Gr
12=Gr-SB

c68R

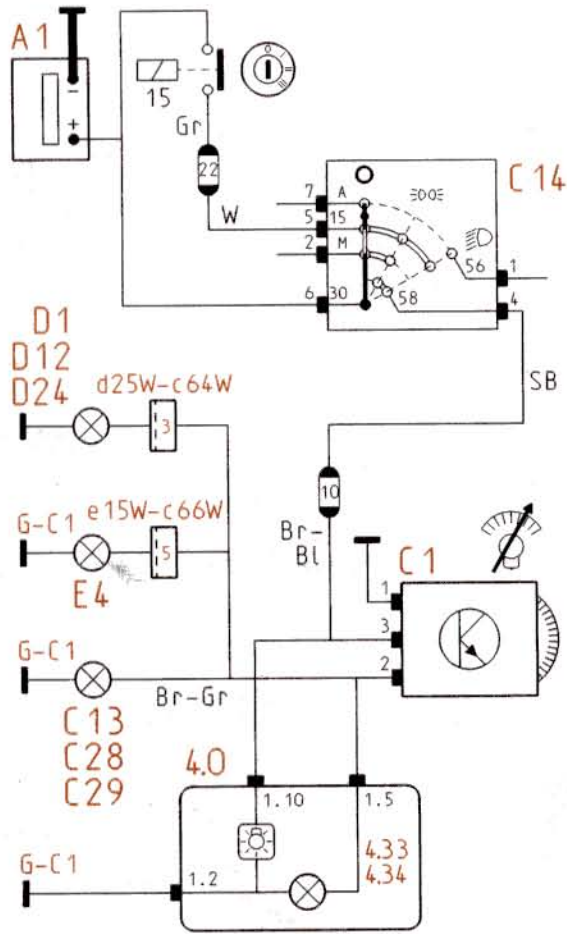
c68R ↔ b35R



3 = Br-Gr

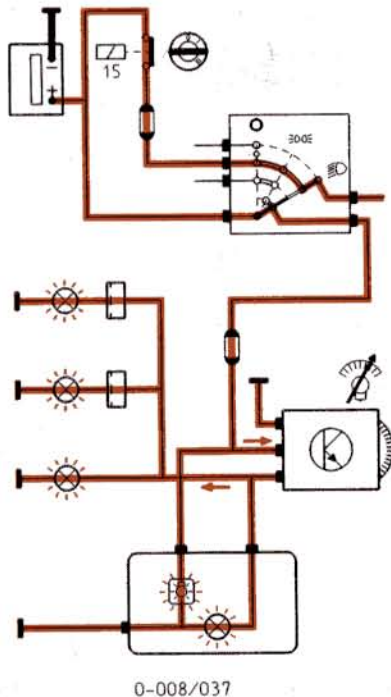
0-009/014

Instrument lighting



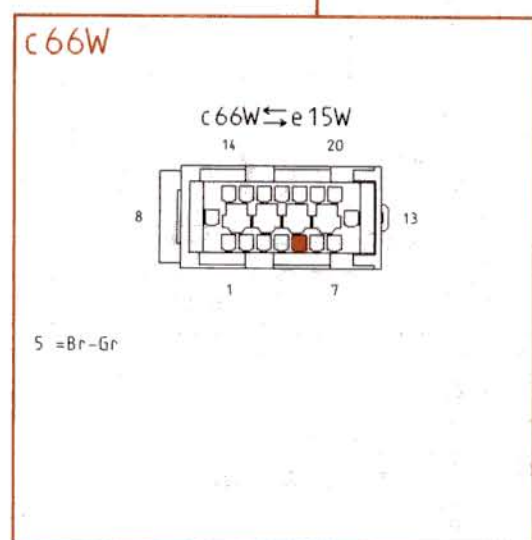
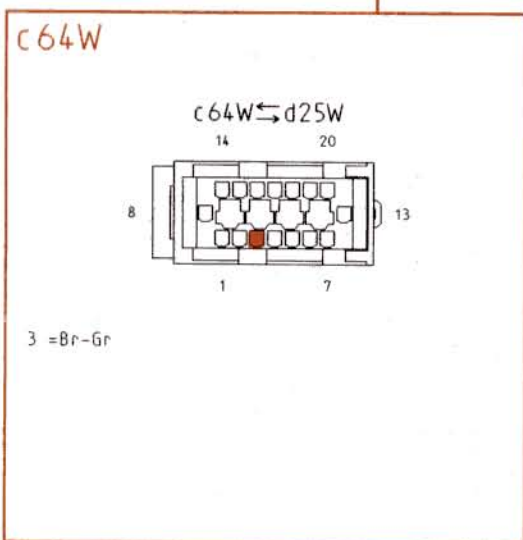
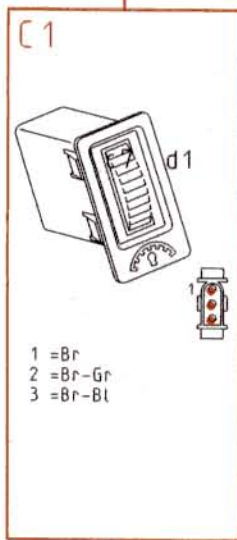
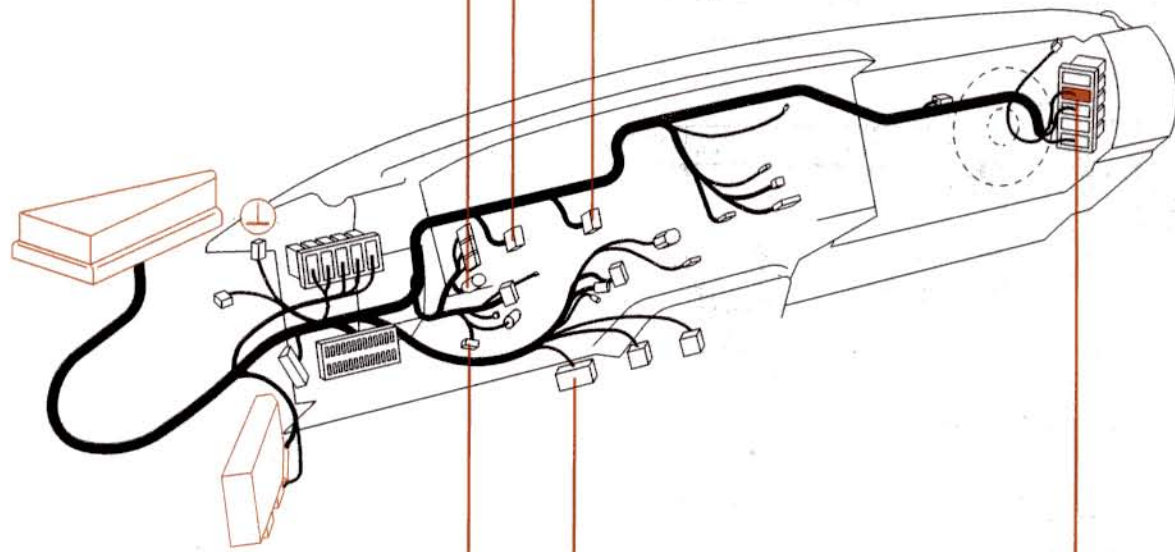
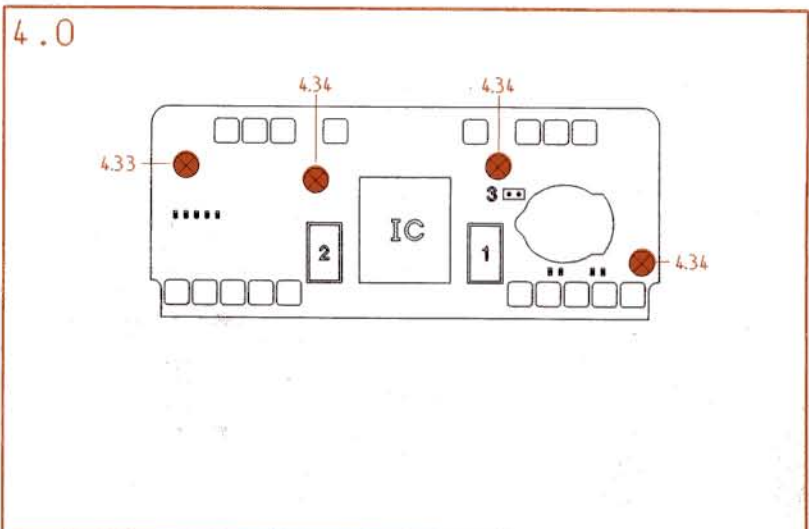
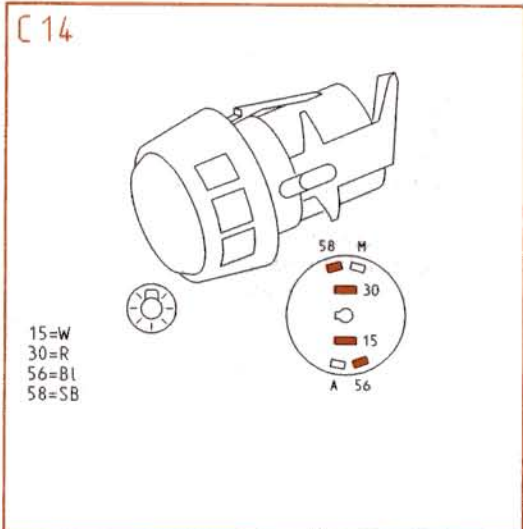
- 4.33 LCD lighting, Electronic Information Centre
- 4.34 Instrument panel lighting
- C1 Rheostat, dashboard lighting
- C3 Switch, hazard warning lights
- C13 Clock
- C14 Lighting switch
- C28 Switch lighting, hazard warning lights
- C29 Lighting, central instrument panel
- C34 Lighting, vehicle lighting switch
- D1 Switch lighting, centre console
- D12 Lighting, cigar lighter
- D24 Selector scale lighting, AT
- E4 Lighting, heater blower switch
- G-C1 Earth on LH A-pillar

Ignition on, instrument lighting via rheostat

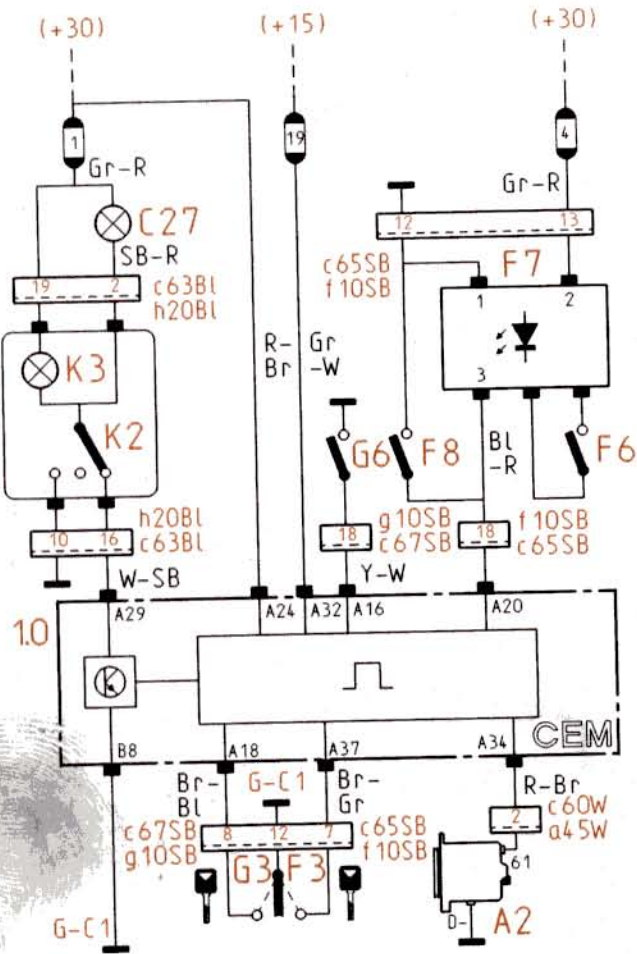


0-008/037

Instrument lighting



Interior lighting and keyhole light

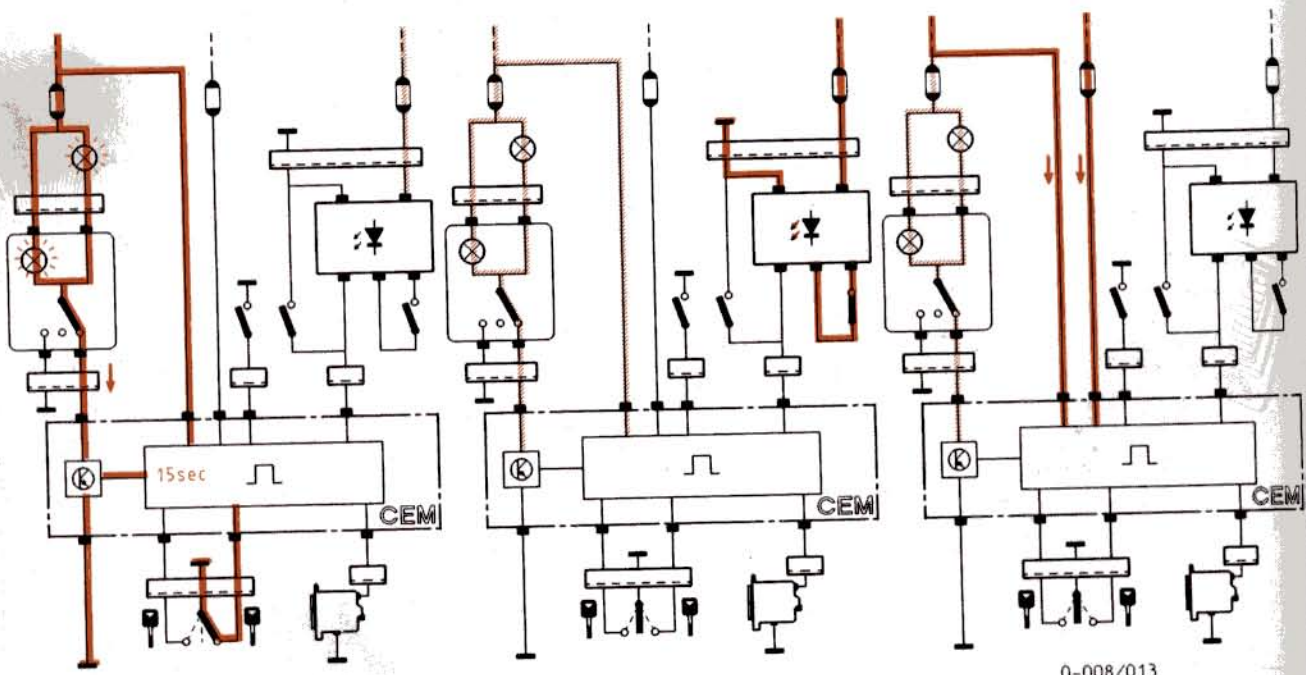


- 1.0 CEM
- A2 Alternator
- C27 Ignition switch lighting
- F3 Door lock switch, driver's door
- F6 Switch, keyhole light
- F7 Keyhole light
- F8 Switch, driver's door
- G3 Door lock switch, passenger's door
- G6 Switch, passenger's door
- K2 Switch, interior lighting
- K3 Bulb, interior lighting
- G-C1 Earth on LH A-pillar

Door being opened with key, interior lighting on for 15 seconds

Door handle raised, keyhole light on

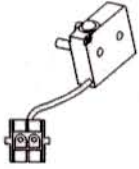
Ignition on, interior lighting off (fader: 3 seconds)



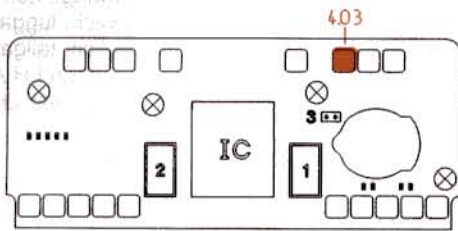
0-008/013

Interior lighting and keyhole light

F3-G3



4.0



F6-F7

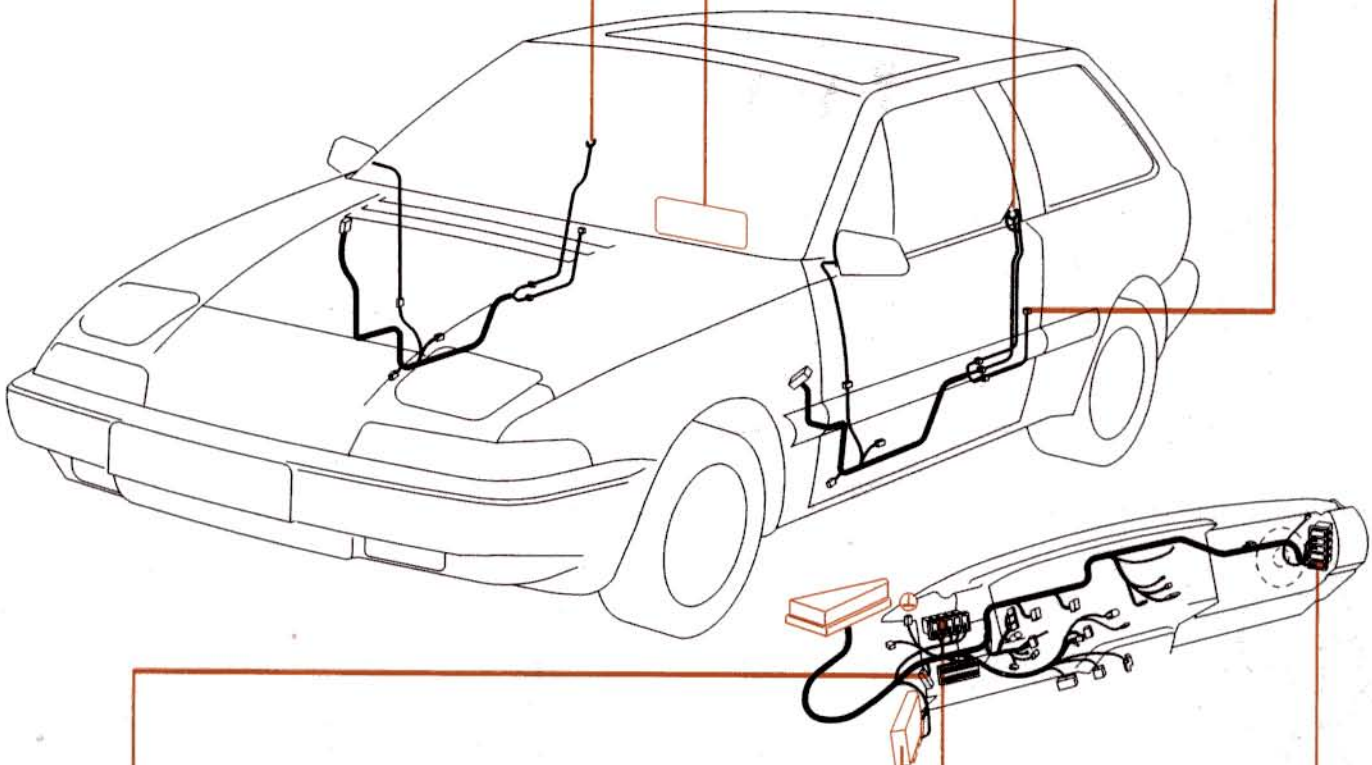


1 = Br
2 = Gr-R
3 = Bl-R

F8-G6



F8 G6
1 = Bl-R 1 = Y-W
2 = Br 2 = Br



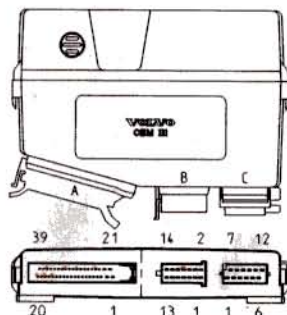
c65SB

c65SB ↔ f10SB



7 = Br-Gr
8 = Br-Bl
12 = Br
13 = Gr-R

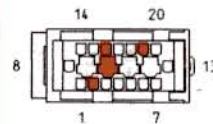
1.0



A16 = Y-W A29 = W-SB B8 = Br
A18 = Br-Bl A32 = Gr-W
A20 = Bl-R A37 = Br-Gr
A24 = R-Br

c63Bl

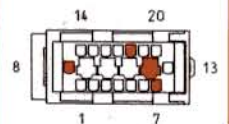
c63Bl ↔ h20Bl



2 = SB-R
10 = Br
16 = W-SB
19 = Gr-R

c67SB

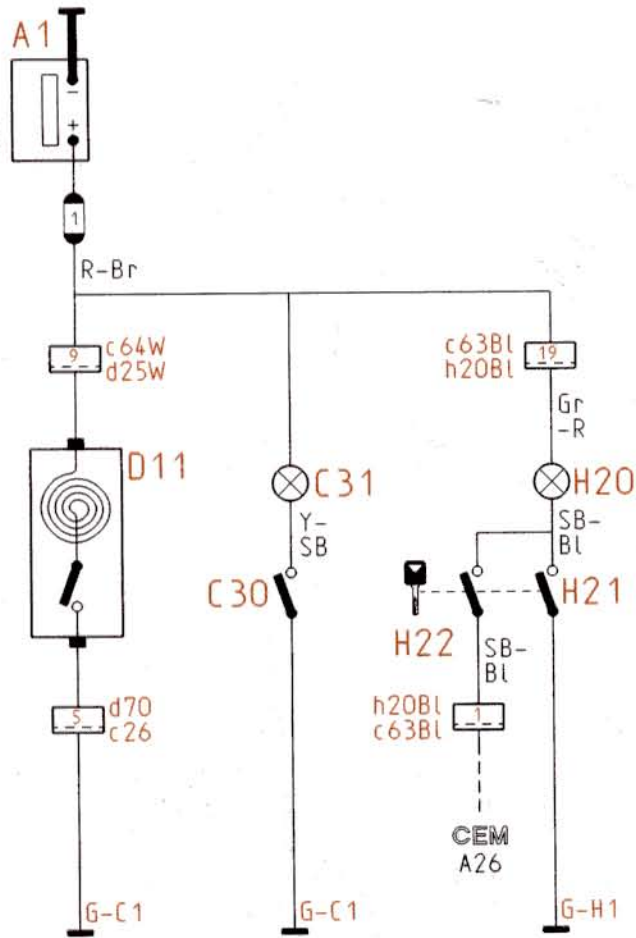
c67SB ↔ g10SB



7 = Br-Gr
8 = Br-Bl
12 = Br
18 = Y-W

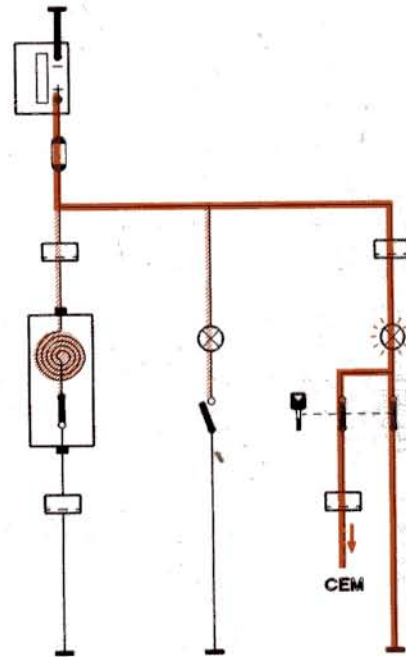
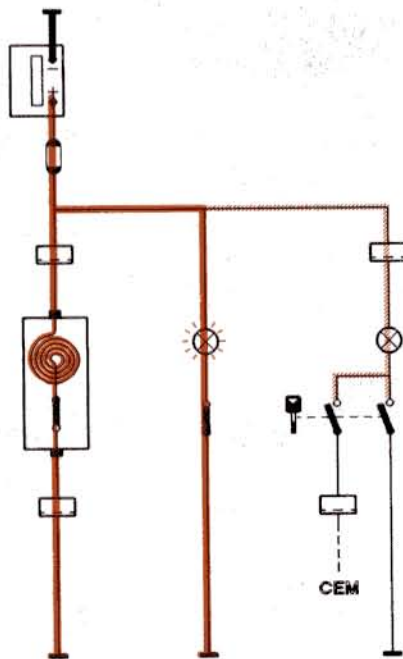
Lighting for glove-box, luggage compartment and cigar lighter

- C30 Switch, glove-box light
- C31 Glove-box light
- D11 Cigar lighter
- H20 Luggage compartment light
- H21 Switch, luggage compartment light
- H22 Switch, tailgate lock
- G-C1 Earth on LH A-pillar
- G-H1 Earth near LH tail light



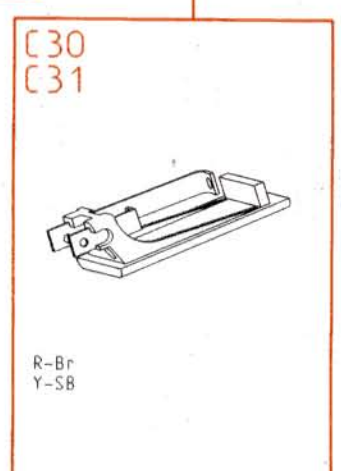
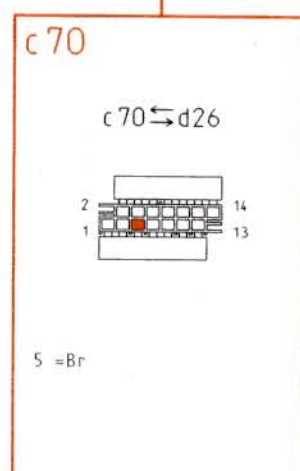
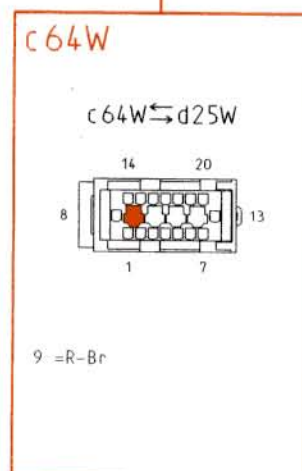
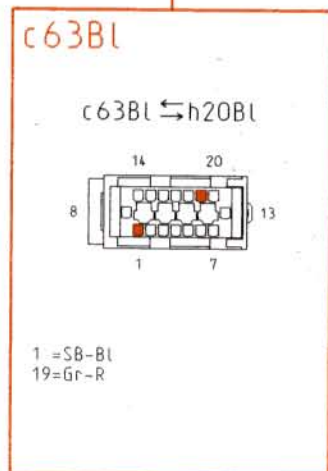
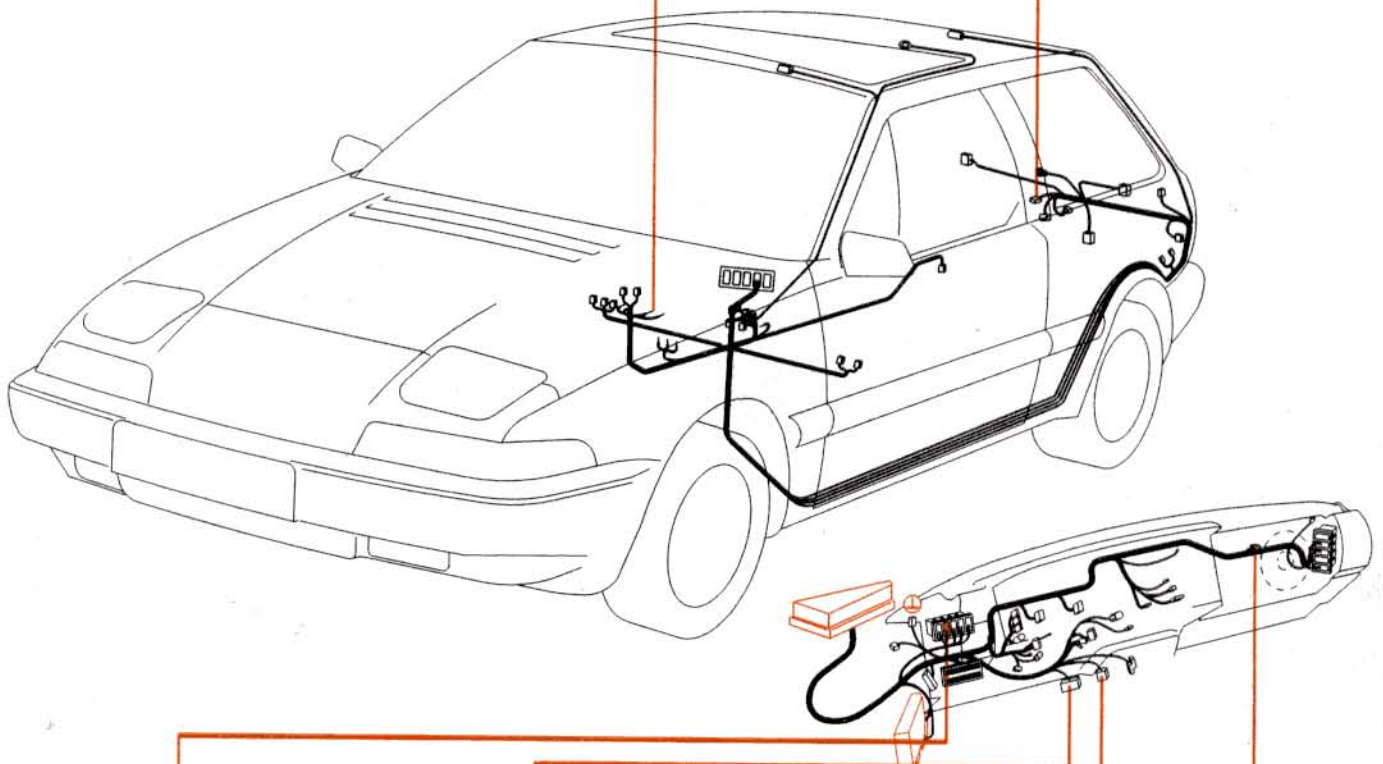
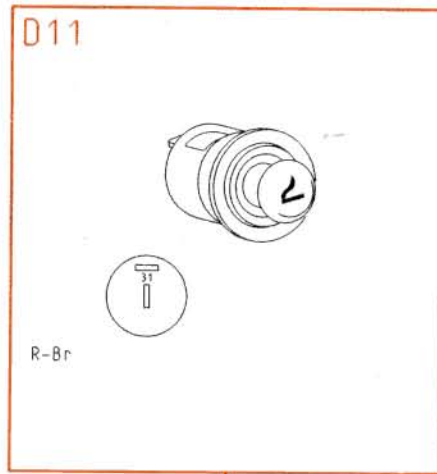
Cigar lighter pushed in. Glove-box lid open

Luggage compartment open

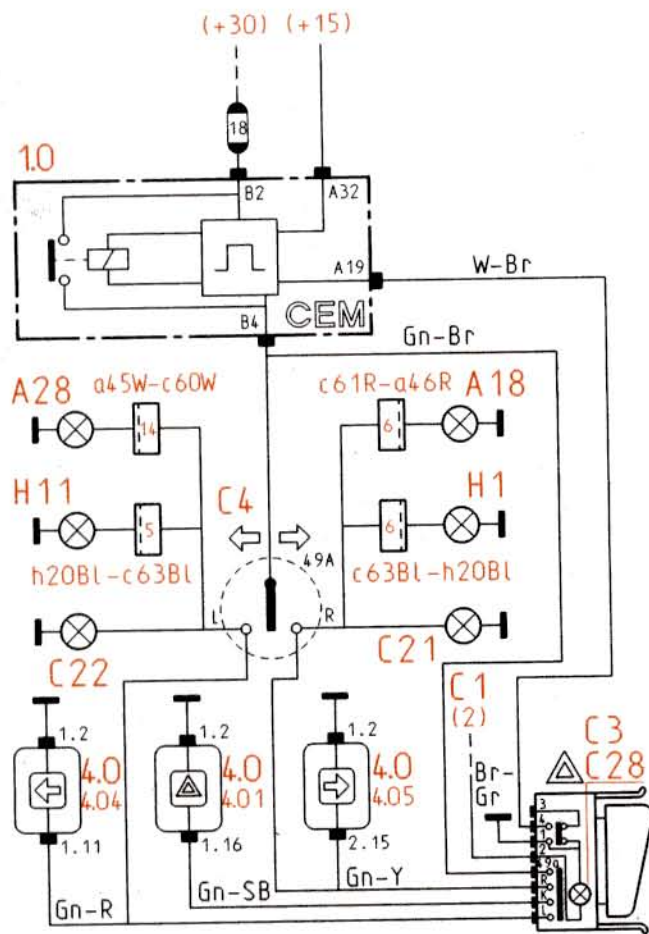


0-008/011

Lighting for glove-box, luggage compartment and cigar lighter



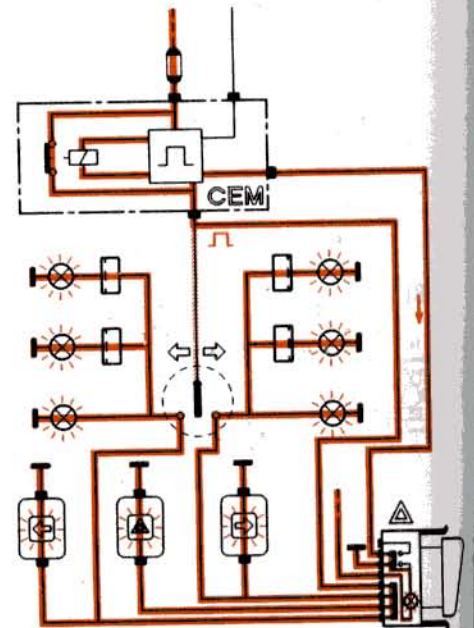
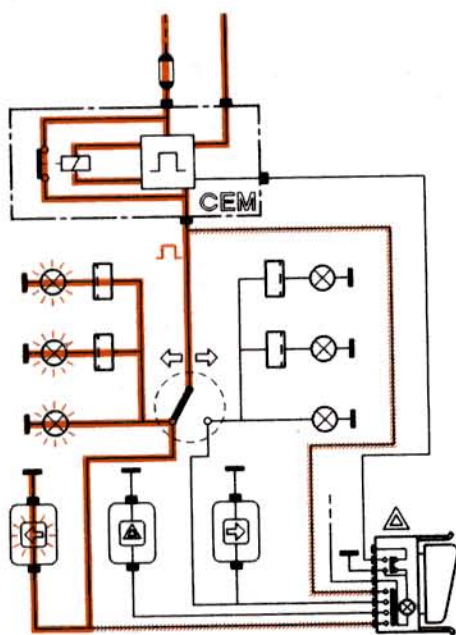
Direction indicators and hazard warning lights



- 1.0 CEM
- 4.01 Warning lamp, hazard warning lights
- 4.04 Warning lamp, direction indicator, left
- 4.05 Warning lamp, direction indicator, right
- A18 RH direction indicator
- A28 LH direction indicator
- C3 Switch, hazard warning lights
- C4 Switch, direction indicators
- C21 Bulb, side repeater on RH front wing
- C22 Bulb, side repeater on LH front wing
- C28 Switch lighting, hazard warning lights
- H1 Bulb, rear-right direction indicator
- H11 Bulb, rear-left direction indicator

LH direction indicator flashing

Hazard warning lights flashing.
CEM (A19) earthed via C3 (switch, hazard warning lights)

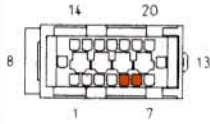


0-008/008

Direction indicators and hazard warning lights

c63Bl

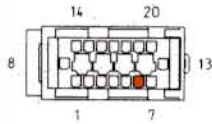
c63Bl ↔ h20Bl



5 =Gn-R
6 =Gn-Y

c61R

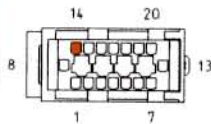
c61R ↔ a46R



6 =Gn-Y

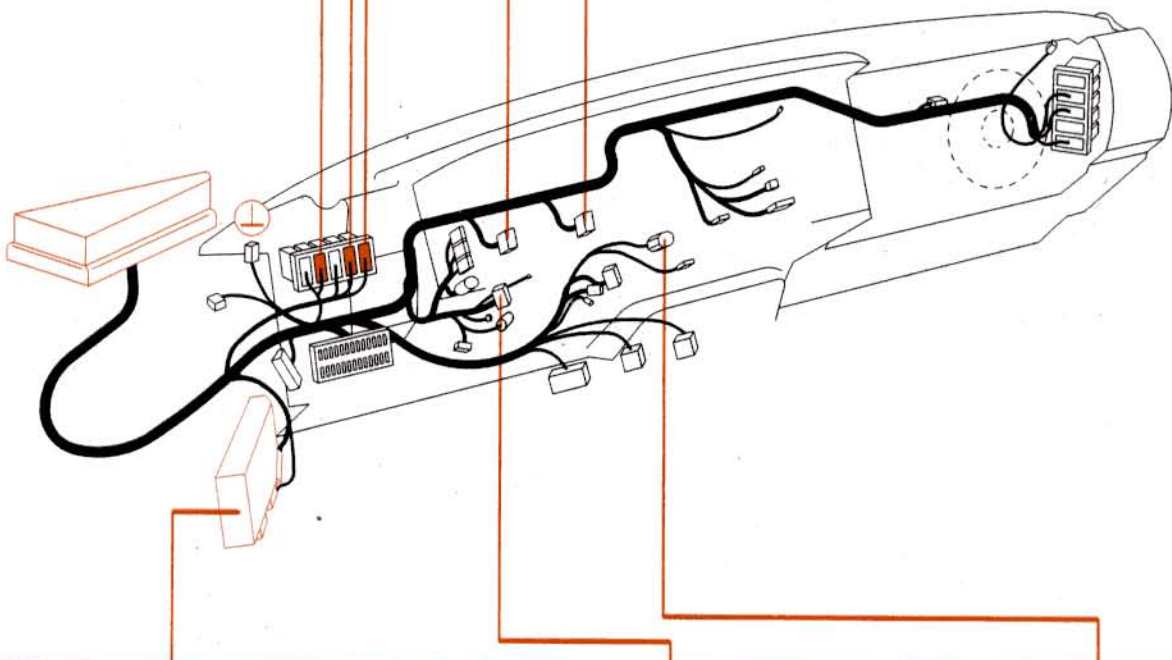
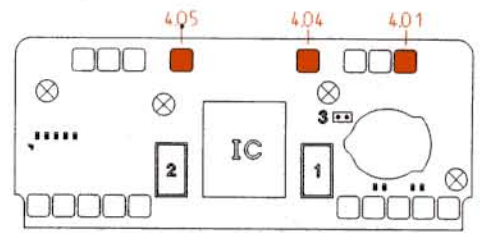
c60W

c60W ↔ a45W

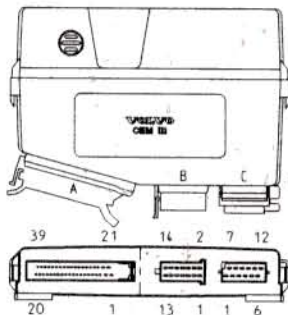


14 =Gn-R

4.0



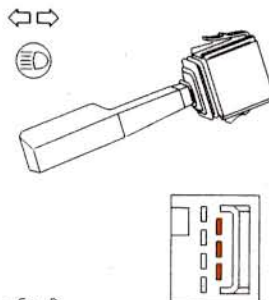
1.0



A19=W-Br
A32=Gr-W

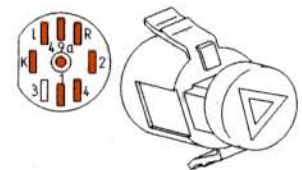
B2=W-Gn
B4=Gn-Br

C4



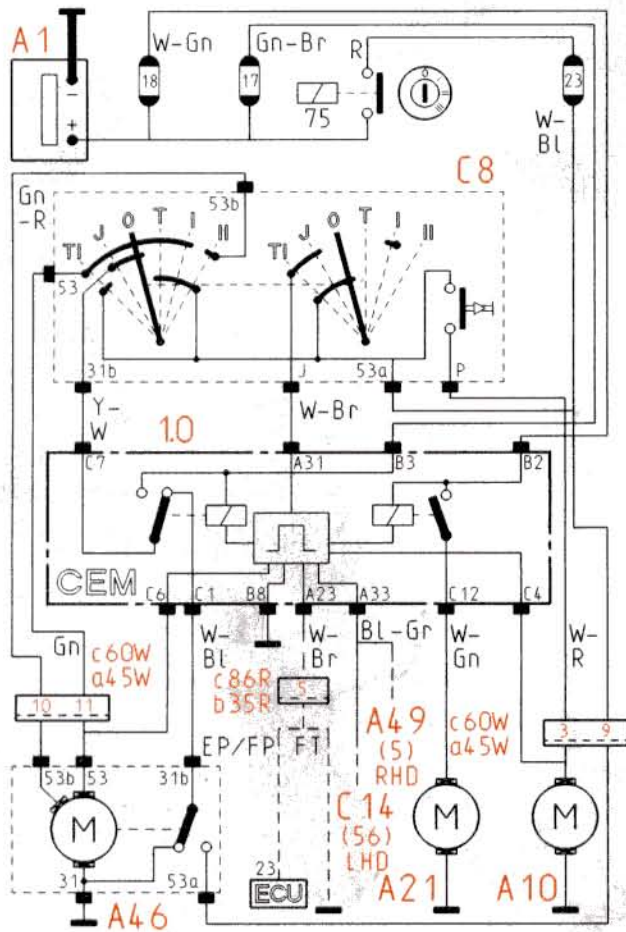
L =Gn-R
49a=Gn-Br
R =Gn-Y

C3



1 =Br
2 =Br-Gn
4 =W-Br
49a=Gn-Br
K =Gn-SB
L =Gn-R
R =Gn-R

Windscreen wipers

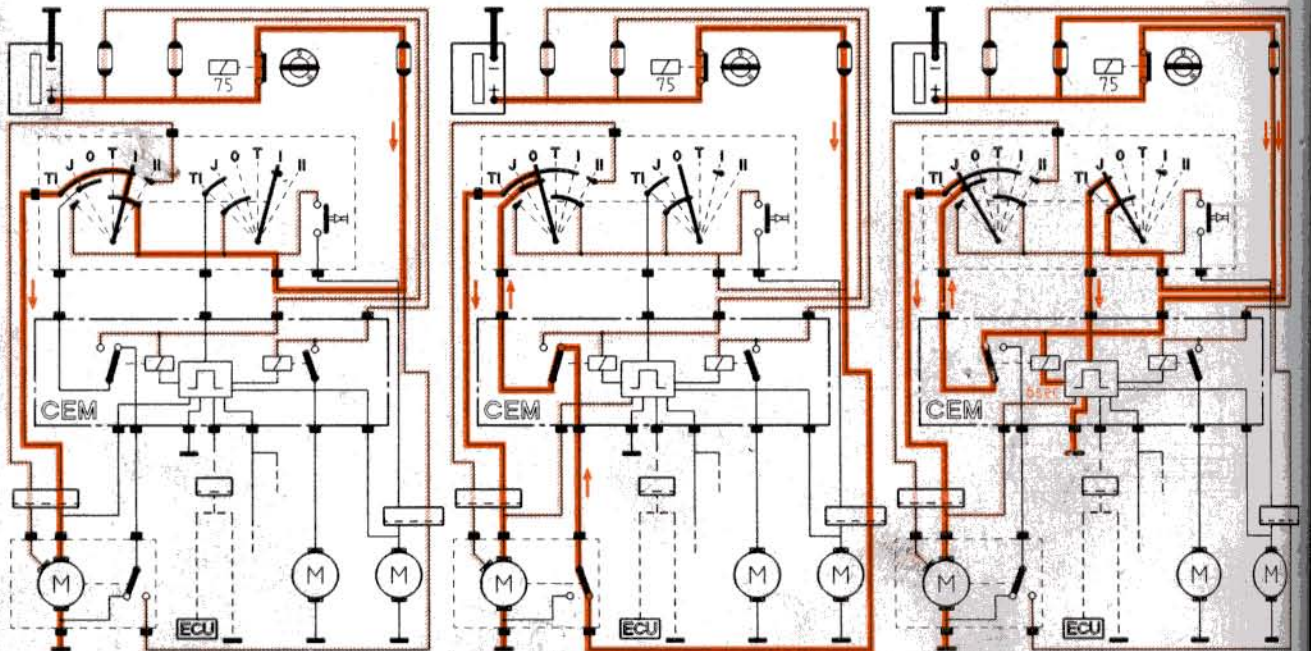


- 1.0 CEM
- A10 Windscreen washer pump
- A21 Headlight washer pump
- A46 Windscreen wiper motor
- A49 Dimmed-dip beams relay (GB)
- B1 ECU, fuel injection system
- C8 Windscreen wash/wipe switch
- C14 Lighting switch

Wiper position: speed 1

Return sweep

Intermittent wipe



0-008/049A

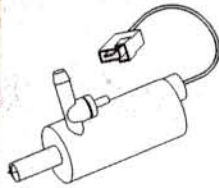
Windscreen wipers

A49



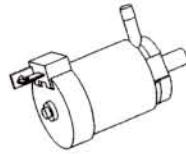
5=Bl-Gr

A21



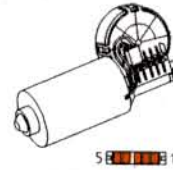
W-Gn
Br

A10



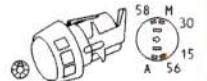
W-R
Br

A46

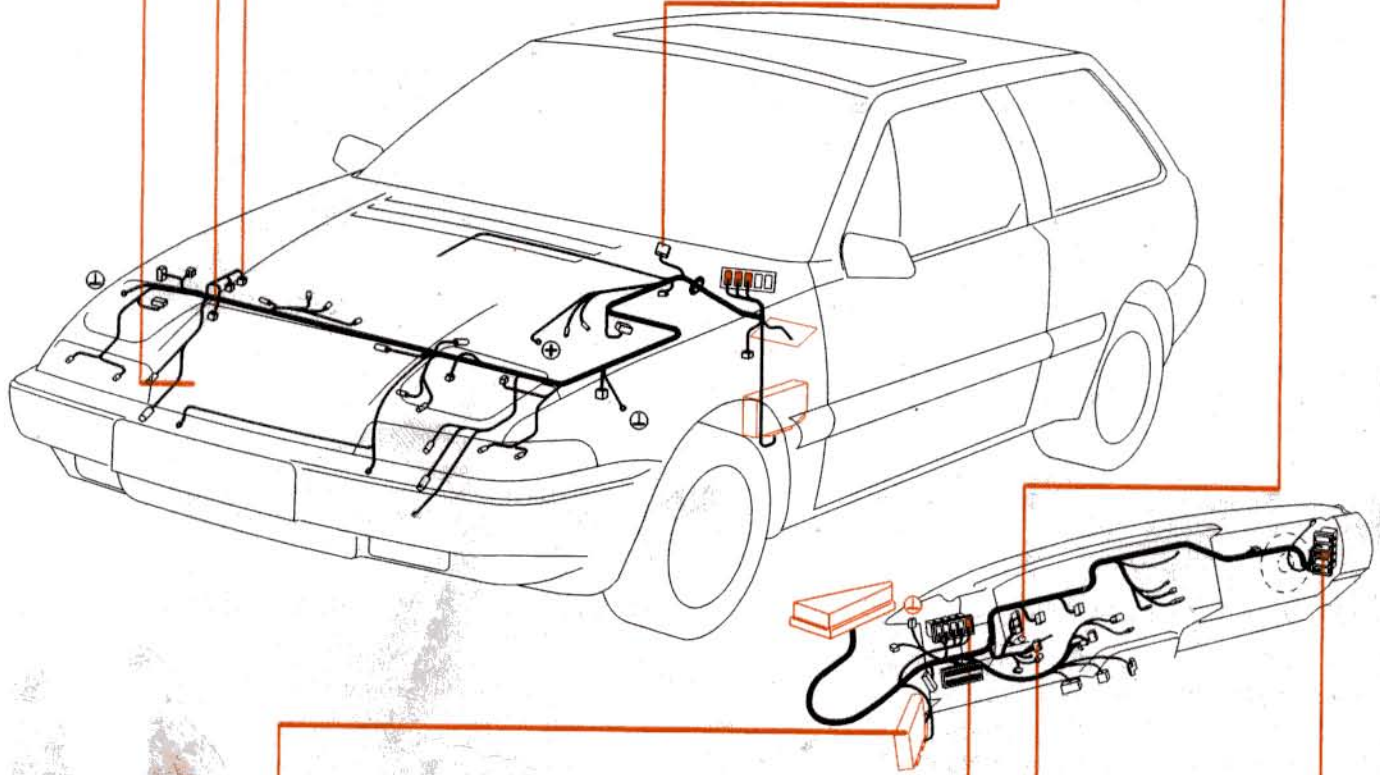


1 (53) =Gn
2 (53b)=Gn-R
3 (53a)=W-Bl
4 (31b)=W
5 (31) =Br

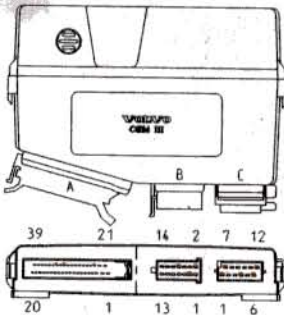
C14



56=Bl-Gr



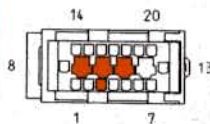
1.0



A23=W-Br
A31=W-Br
A33=Bl-Gr
B2 =R
B3 =Gn-Br
B8 =Br
C1 =W
C4 =W-R
C6 =Gn
C7 =Y-W
C12=W-Gn

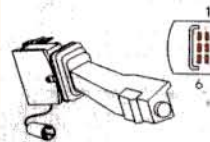
c60W

c60W ↔ a45W



3 =W-R
9 =W-Bl
10=Gn-R
11=Gn

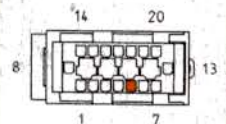
C8



1 (53b)=Gn-R
2 (53) =Gn
3 (53a)=W-Bl
4 (P) =W-R
5 (J) =W-Br
6 (31b)=Y-W

c68R

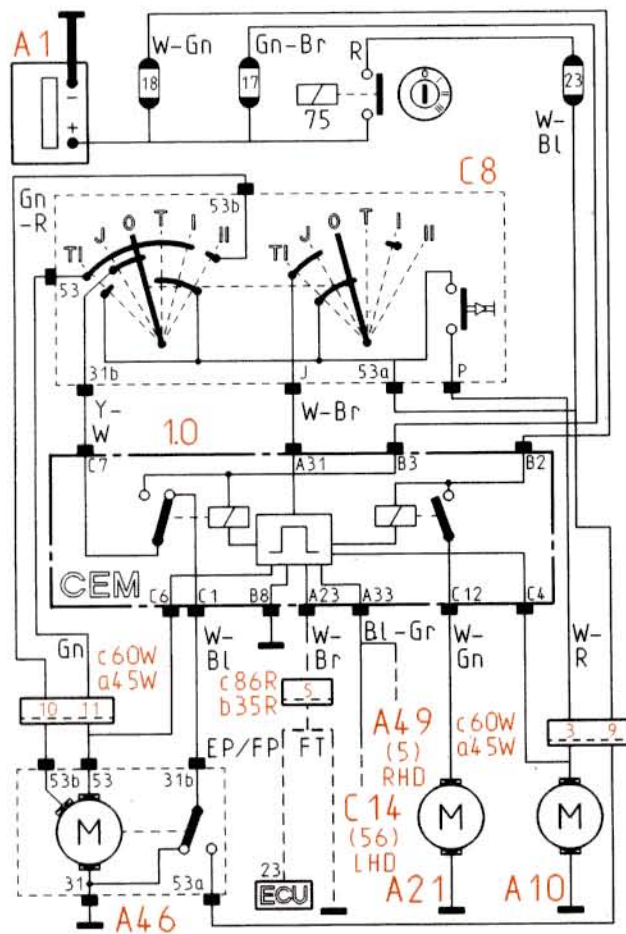
c68R ↔ b35R



5 =W-Br

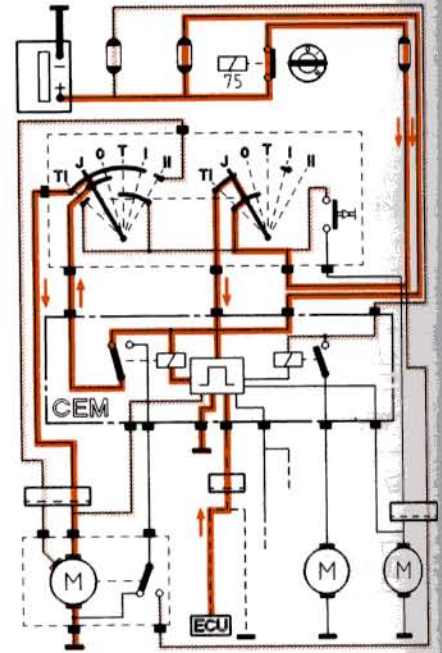
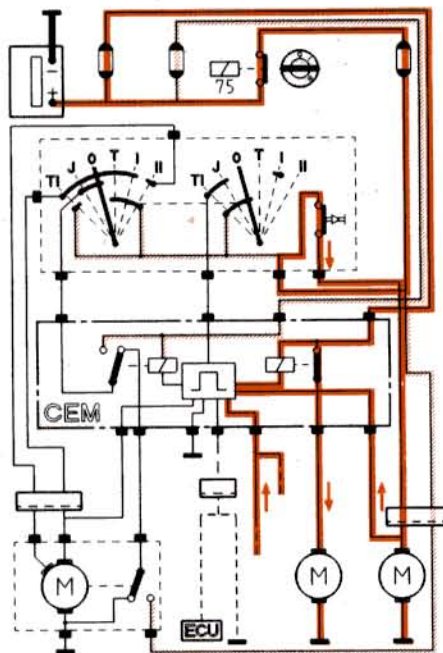
Headlight and windscreen washers

- 1.0 CEM
- A10 Windscreen washer pump
- A21 Headlight washer pump
- A46 Windscreen wiper motor
- A49 Dimmed-dip beams relay (GB)
- B1 ECU, fuel injection system
- C8 Windscreen wash/wipe switch
- C14 Lighting switch



Lights on, operate windscreen washers, headlight washers operate
 EURO : dipped and main beams;
 GB : dimmed-dip beams

Full throttle during intermittent wipe, wipers switch to continuous wipe mode (B18EP/FP only)



0-008/0498

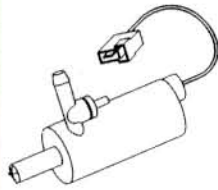
Headlight and windscreen washers

A49



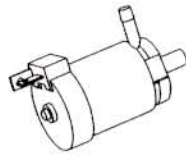
5=Bl-Gr

A21



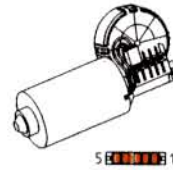
W-Gn
Br

A10



W-R
Br

A46



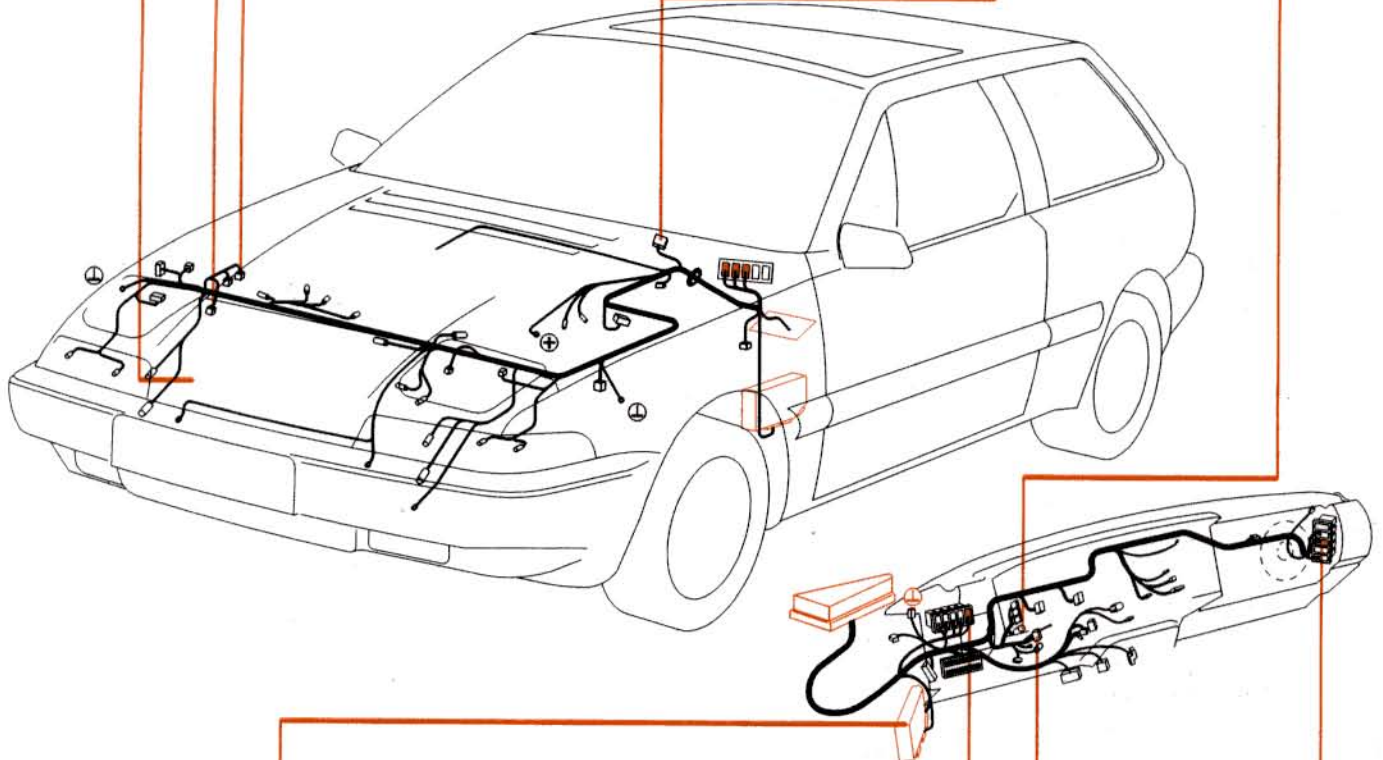
5 3 1

- 1 (53) =Gn
- 2 (53b)=Gn-R
- 3 (53a)=W-Bl
- 4 (31b)=W
- 5 (31) =Br

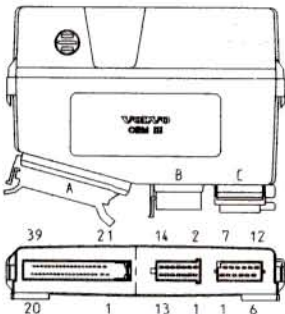
C14



56=Bl-Gr



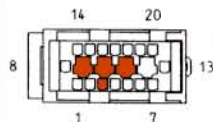
1.0



- A23=W-Br
- A31=W-Br
- A33=Bl-Gr
- B2 =R
- B3 =Gn-Br
- B8 =Br
- C1 =W
- C4 =W-R
- C6 =Gn
- C7 =Y-W
- C12=W-Gn

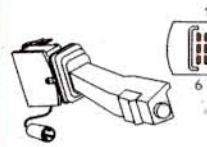
c60W

c60W ↔ a45W



- 3 =W-R
- 9 =W-Bl
- 10=Gn-R
- 11=Gn

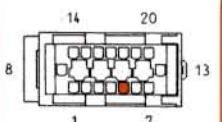
C8



- 1 (53b)=Gn-R
- 2 (53) =Gn
- 3 (53a)=W-Bl
- 4 (P) =W-R
- 5 (J) =W-Br
- 6 (31b)=Y-W

c68R

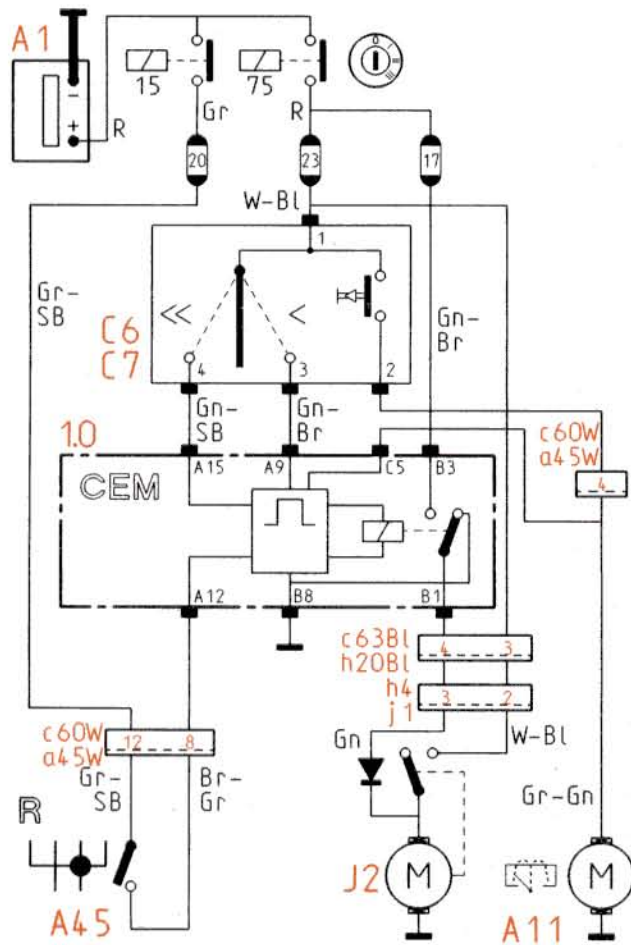
c68R ↔ b35R



- 5 =W-Br

Rear window wiper and washer

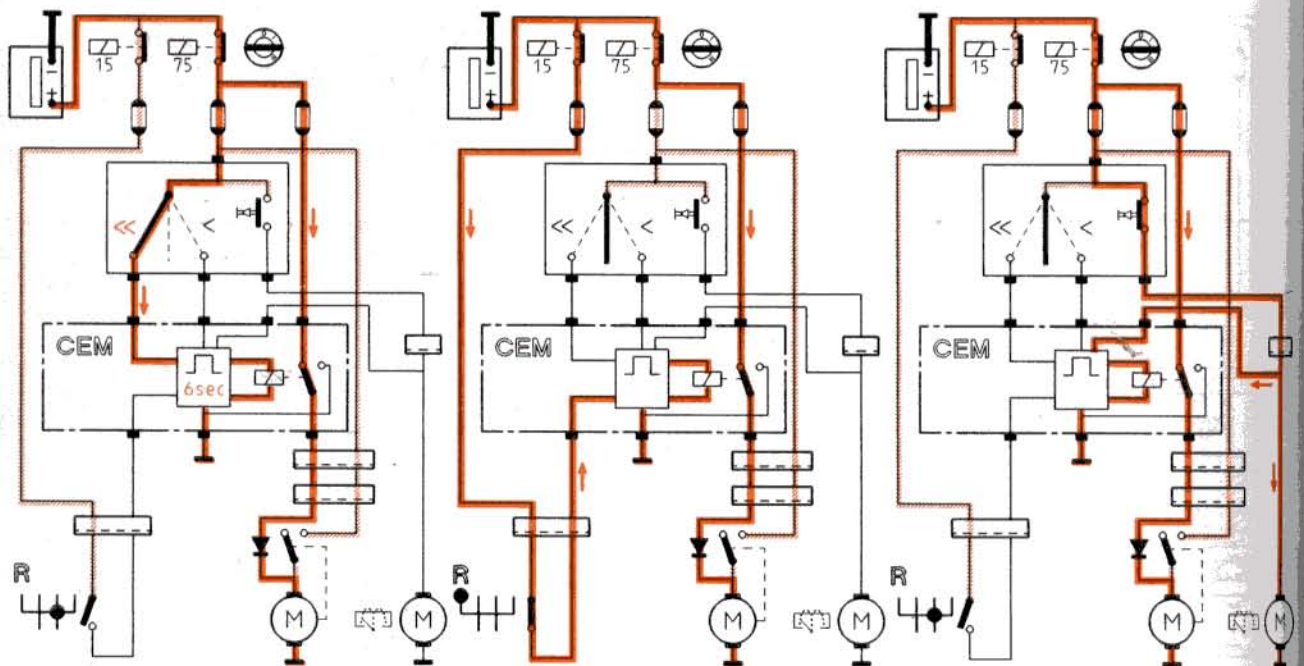
- 1.0 CEM
- A11 Rear window washer pump
- A45 Switch, reversing lights
- C6 Switch, rear window wiper
- C7 Switch, rear window washer
- J2 Rear window wiper motor
- G-C1 Earth on LH A-pillar



Windscreen wiper switched on, 6 sec. intermittent wipe

Gear lever in position 'R', wiper switches to continuous wipe mode

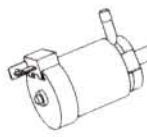
Rear window washer in operation, 3 sweeps



0-008/012

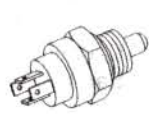
Rear window wiper and washer

A11



1 = Gr-Gn
2 = Br


A45



Gr-SB
Br-Gr

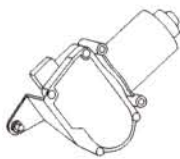
H4

h4 ↔ j1

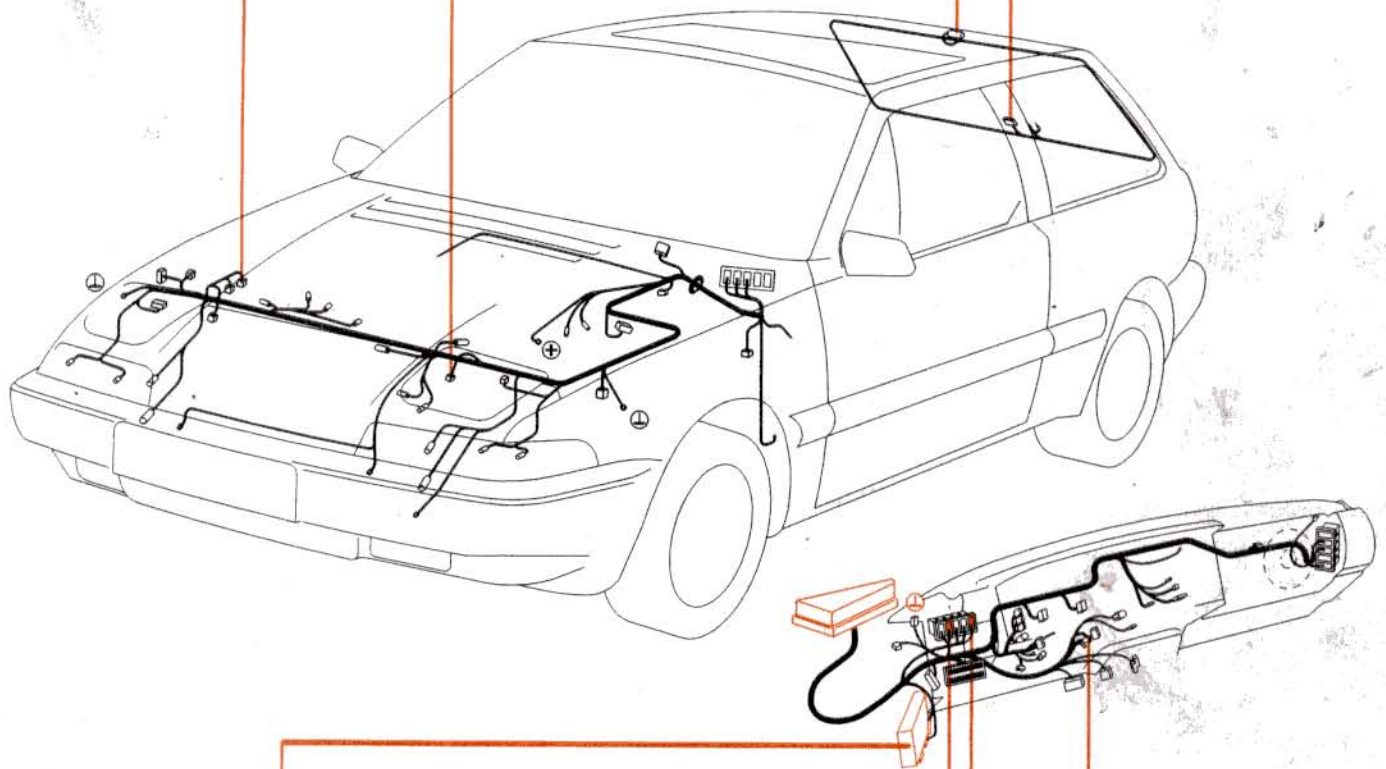


2 = W-Bl
3 = Gn
1 = Br

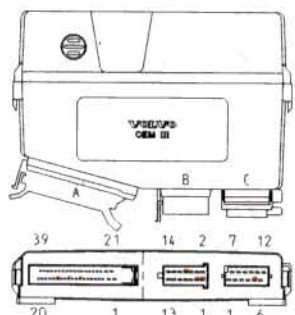
J2



Gn
W-Bl
Br



1.0



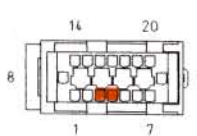
A9 = Gn-Br
A12 = Br-Gr
A15 = Gn-SB

B1 = Gn
B3 = Gn-Br
B8 = Br

C5 = Gr-Gn

c63Bl

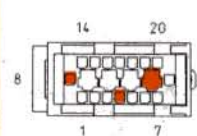
c63Bl ↔ h20Bl



3 = W-Bl
4 = Gn

c60W

c60W ↔ a45W



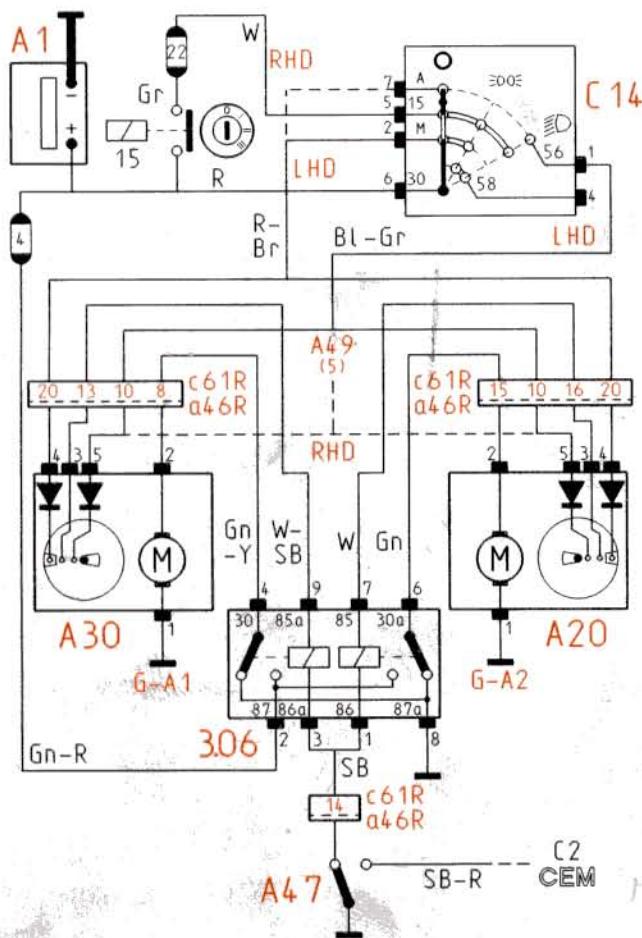
4 = Gr-Gn
8 = Br-Gr
12 = Gr-SB

C6-C7



1 = W-Bl
2 = Gr-Gn
3 = Gn-Br
4 = Gn-SB

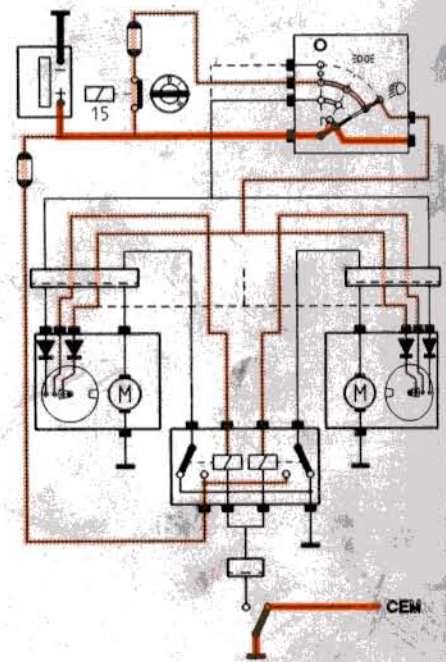
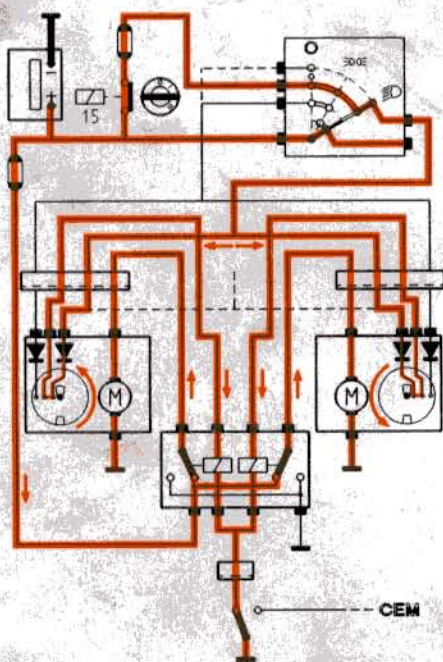
Headlight housing motors



- 3.06 (F) Relay, headlight motors
- A20 Motor, RH headlight housing
- A30 Motor, LH headlight housing
- A47 Switch, bonnet lock
- A49 Dimmed-dip beams relay (GB)
- C14 Lighting switch
- G-A1 Earth in engine compartment, LH wing
- G-A2 Earth in engine compartment, RH wing

Main lighting on, headlights move to raised position

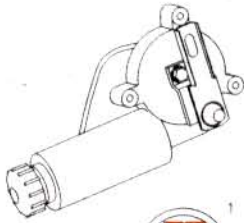
Bonnet open, headlight housing motors disengaged



0-008/038

Headlight housing motors

A20



- 1 = Br
- 2 = Gn
- 3 = W
- 4 = R-Br
- 5 = Bl-Gr

A49



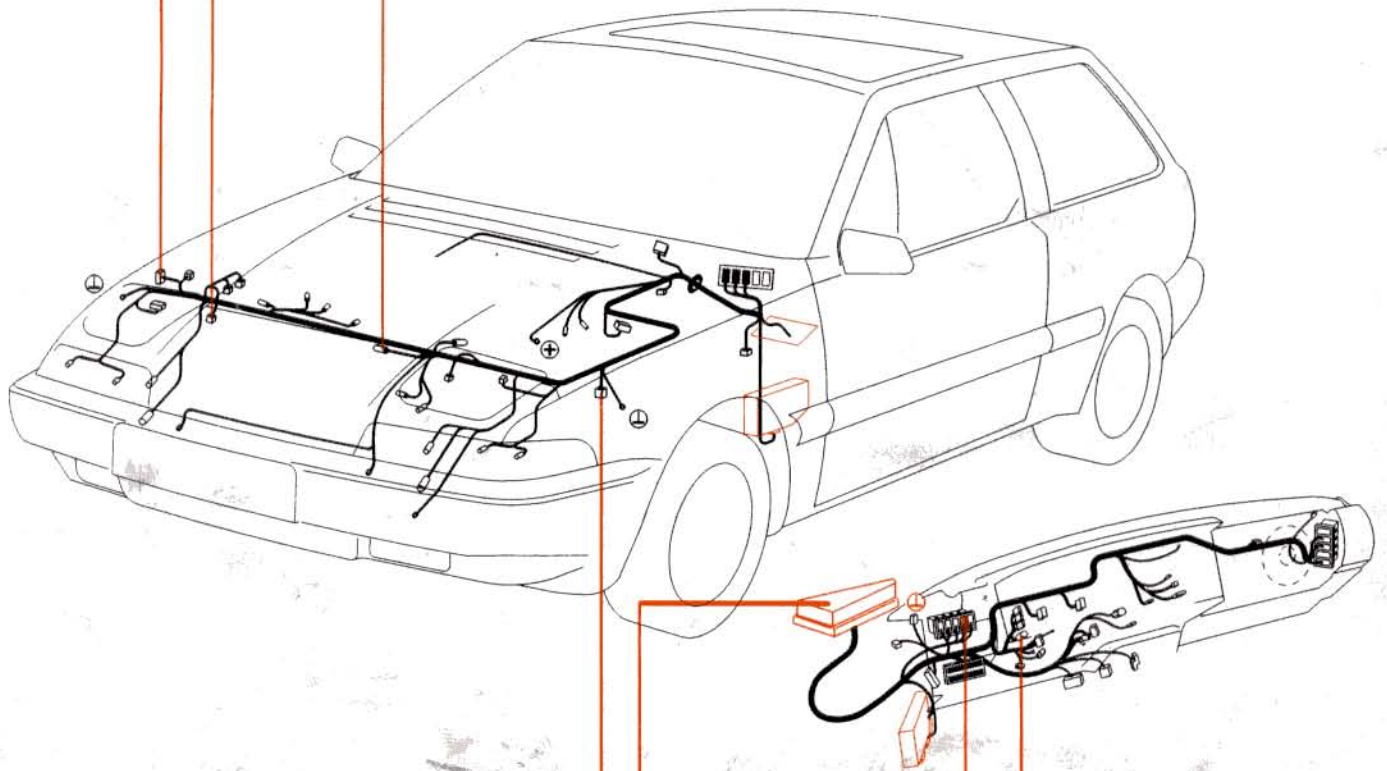
- 5 = Bl-Gr

A47

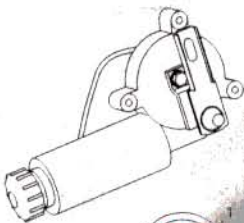
A47 ← a19



- 1 = SB-R
- 2 = Br
- 3 = SB



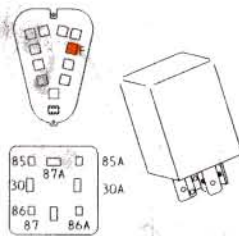
A30



- 1 = Br
- 2 = Gn-Y
- 3 = W-SB
- 4 = R-Br
- 5 = Bl-Gr

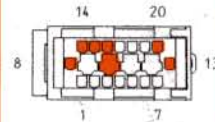
3.0

3.06



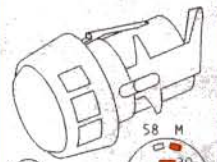
c61R

c61R ↔ a46R



- 8 = Gn-Y
- 10 = Bl-Gr
- 13 = W-SB
- 14 = SB
- 15 = Gn
- 16 = W
- 20 = R-Br

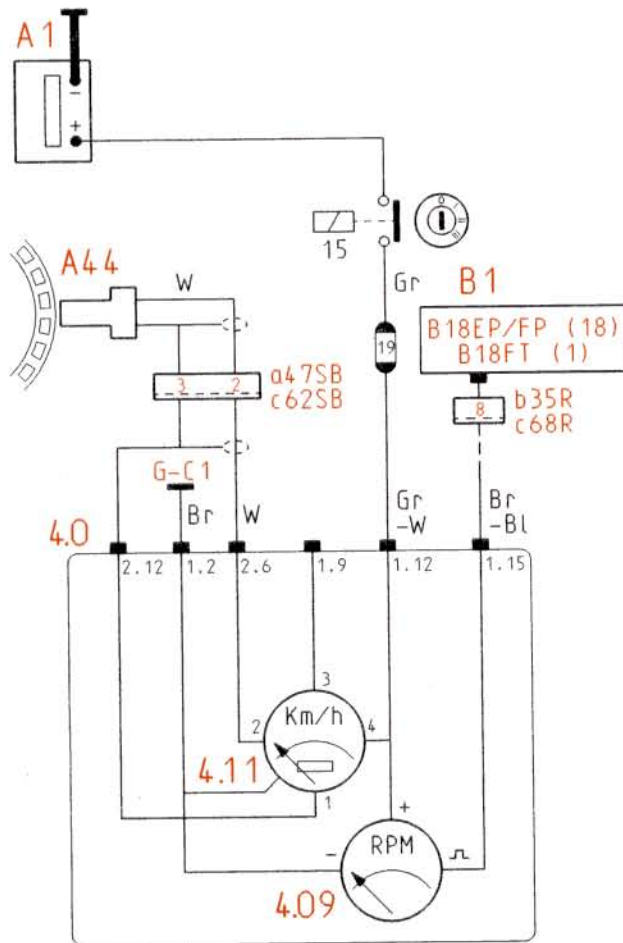
C14



- A = W
- 15 = W
- 30 = R
- 56 = Bl-Gr
- M = R-Br

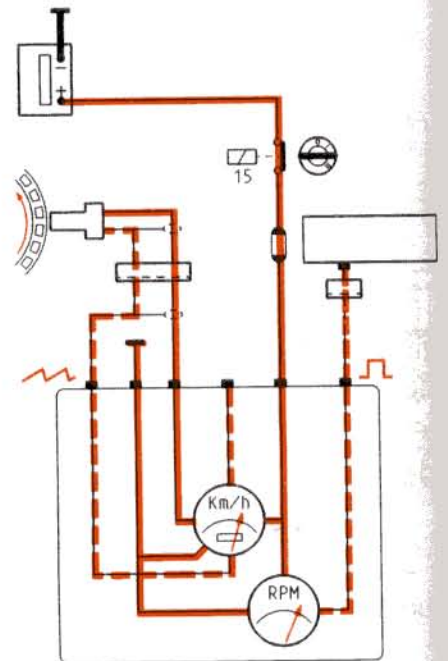
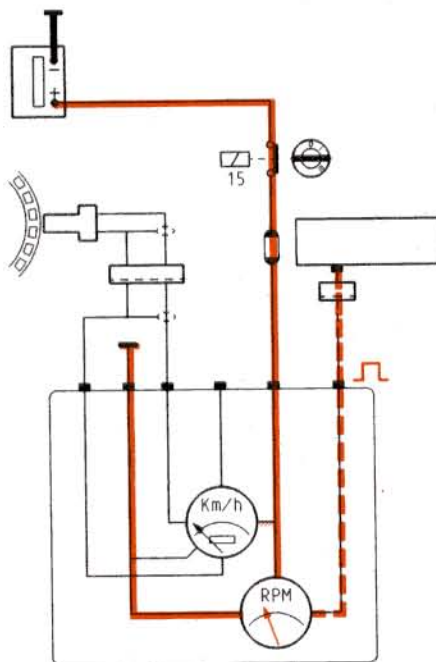
Rev-counter and speedometer

- 4.0 Instrument panel
- 4.09 Rev-counter
- 4.11 Electronic speedometer
- A44 Speed transmitter, final drive, HL
- B1 ECU, fuel injection system



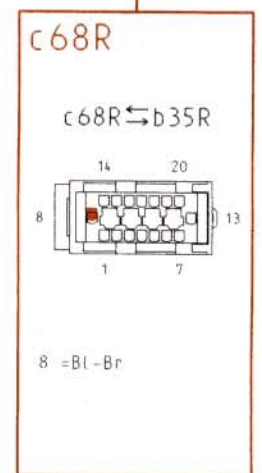
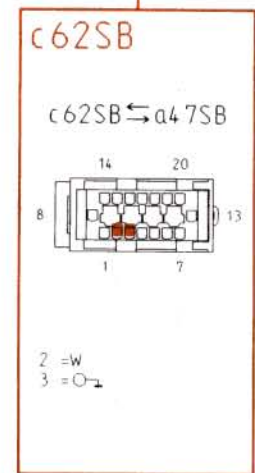
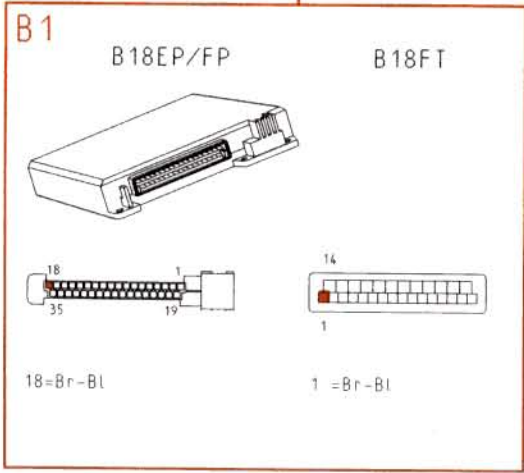
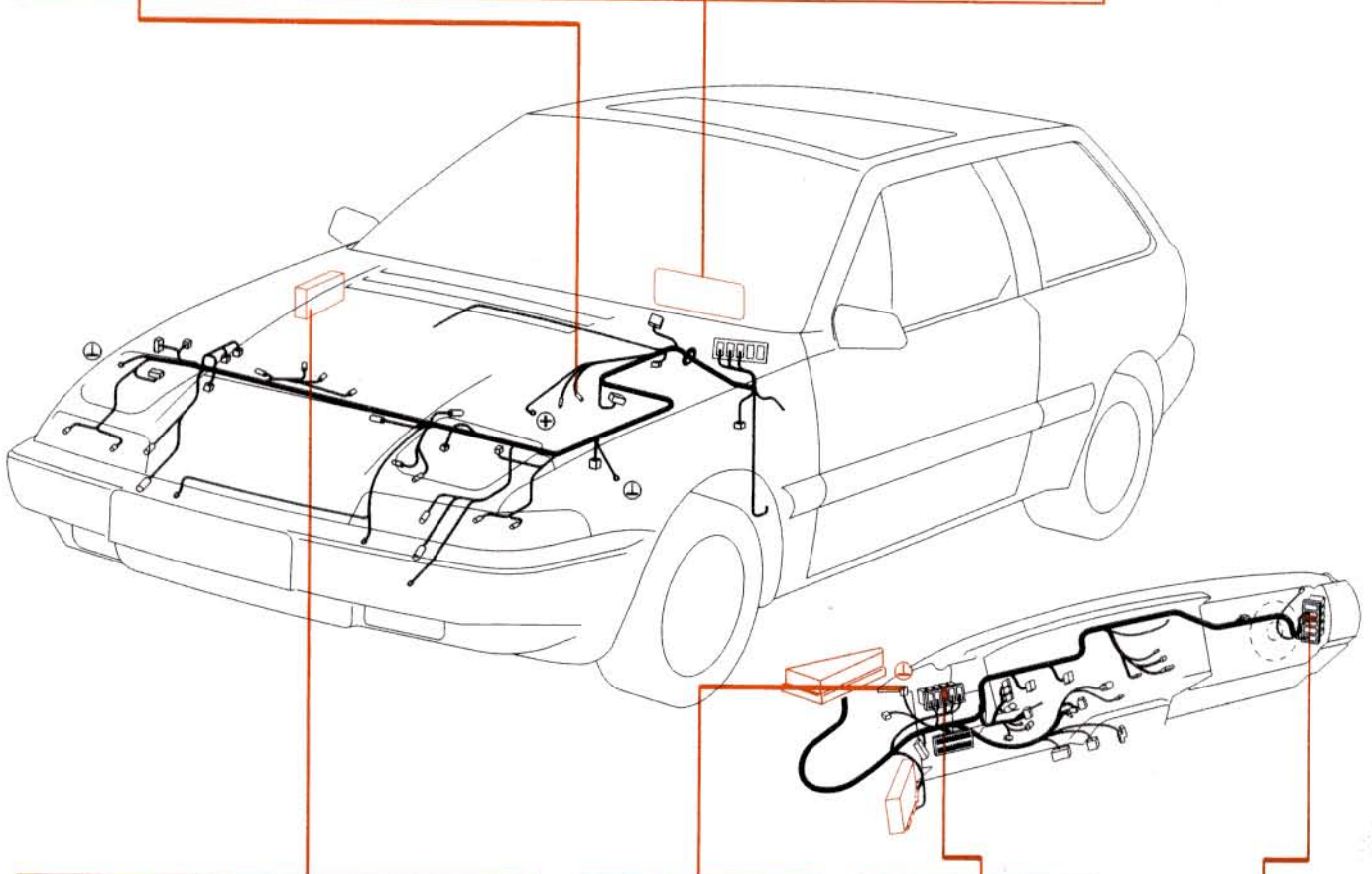
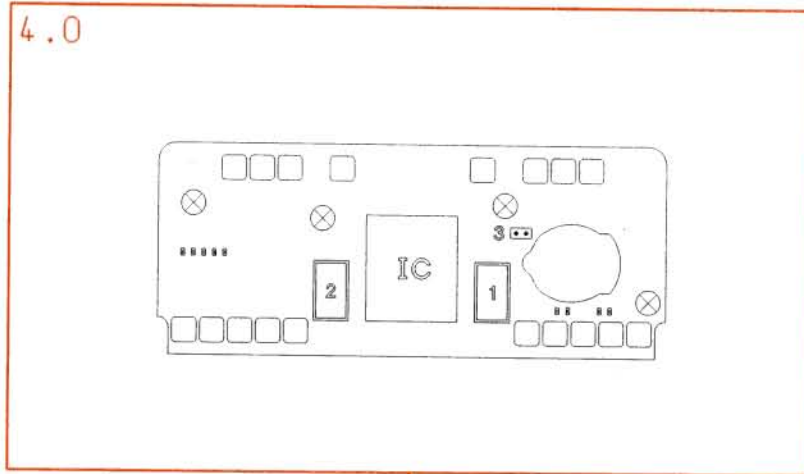
Rev-counter

Speedometer

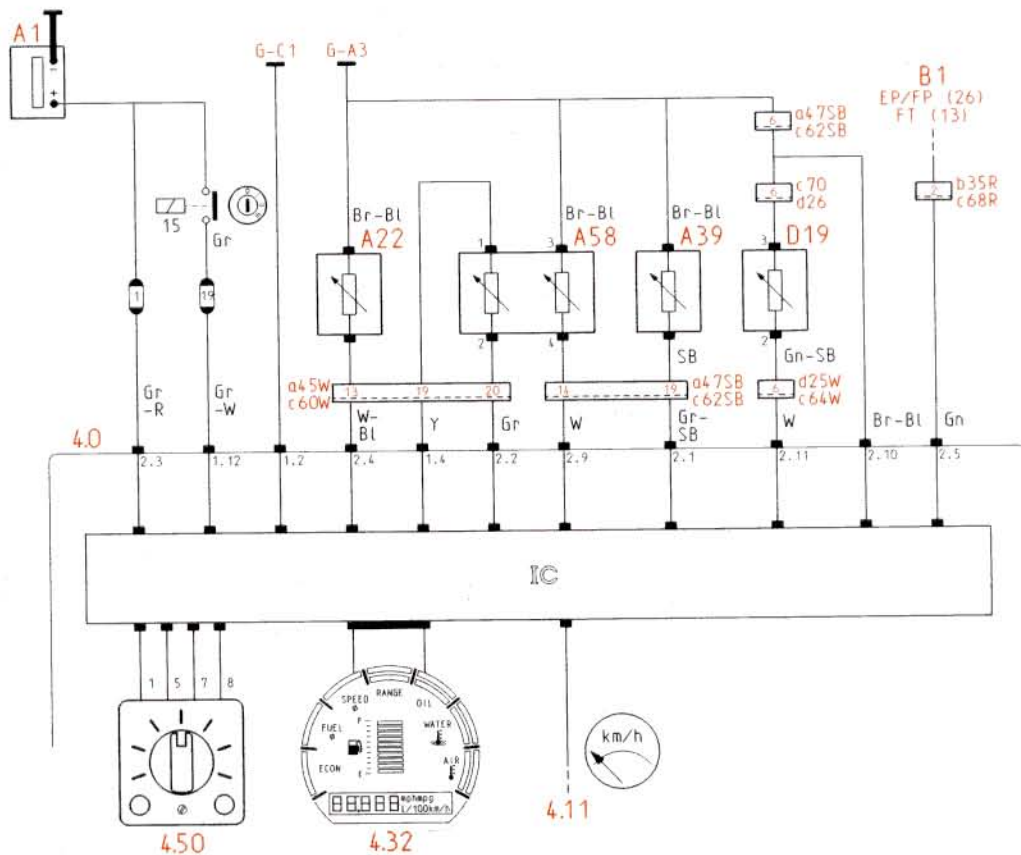


0-008/034

Rev-counter and speedometer

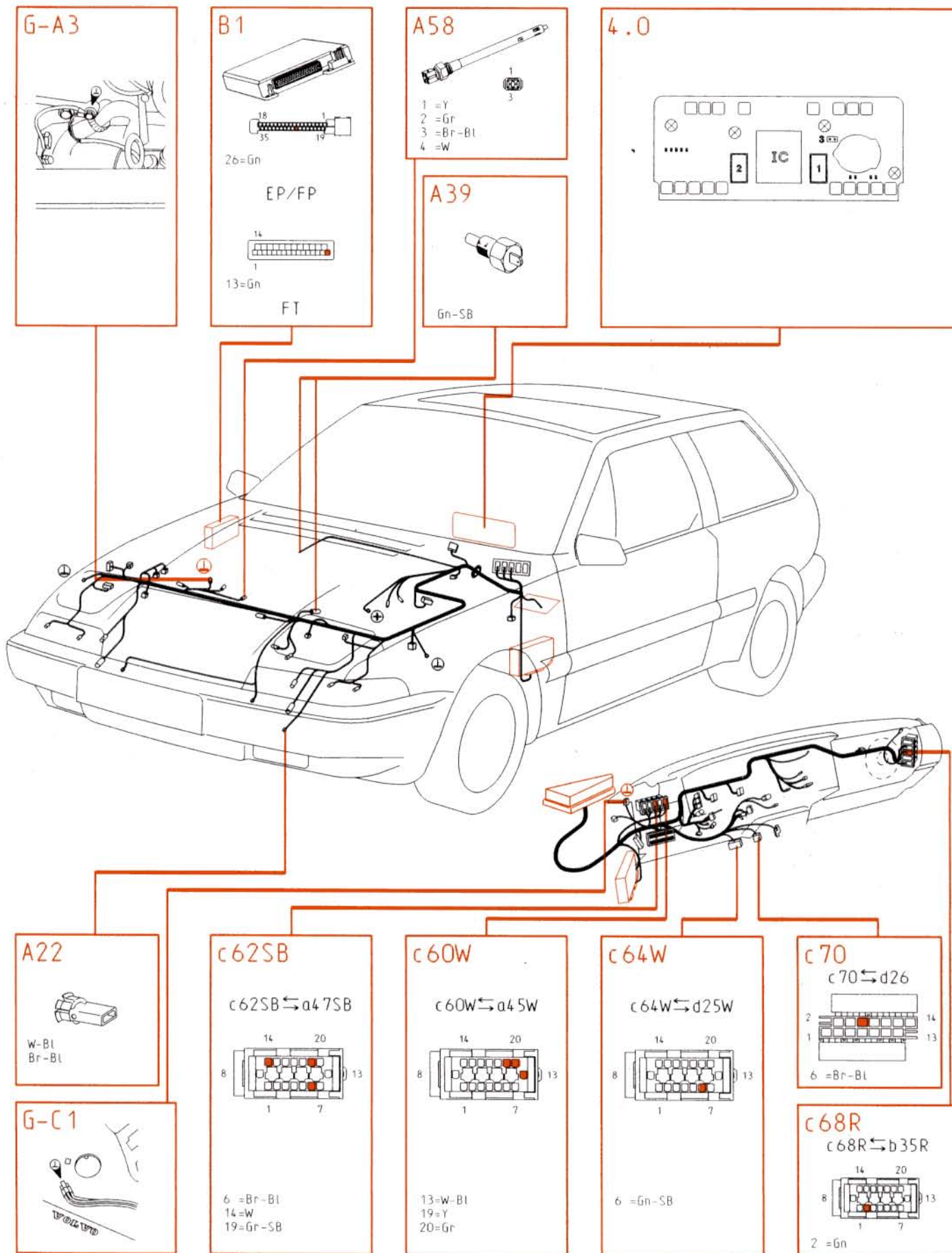


Electronic Information Centre with sensors



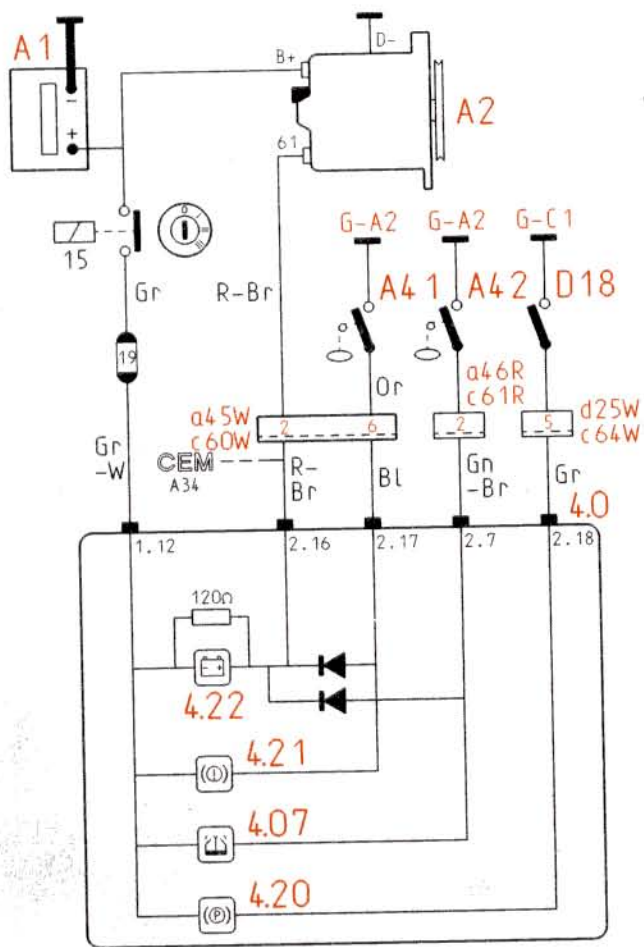
- 4.11 Electronic speedometer
- 4.31 IC (Electronic Information Centre)
- 4.32 Electronic Information Centre (LCD panel)
- 4.50 Channel selector switch, Electronic Information Centre
- A22 Ambient air temperature transmitter
- A39 Coolant temperature transmitter, IC
- A58 Oil level and temperature transmitter
- B1 ECU, fuel injection system
- D19 Tank transmitter, fuel gauge
- G-C1 Earth on LH A-pillar
- G-A3 Earth on alternator bracket

Electronic Information Centre with sensors



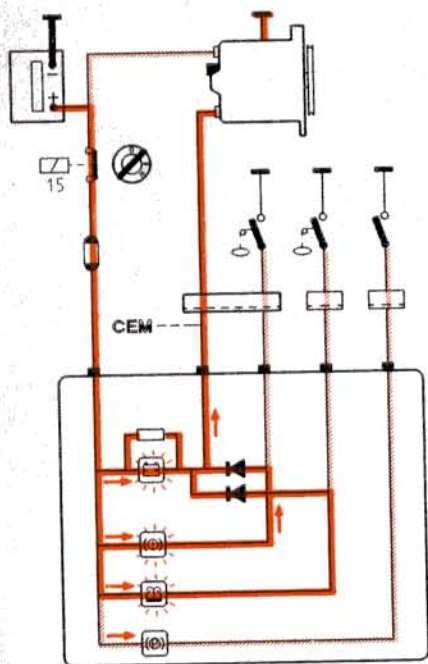
0-009/089

Warning lamps for brake fluid, handbrake, battery charge and washer fluid

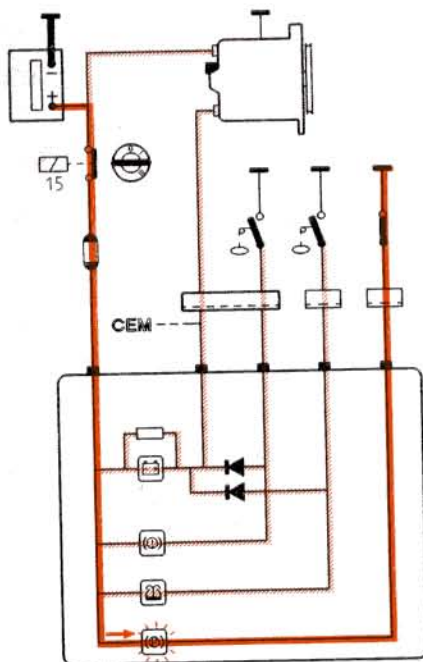


- 4.0 Instrument panel
- 4.07 Warning lamp, low washer fluid level
- 4.20 Warning lamp, handbrake
- 4.21 Warning lamp, brake fluid
- 4.22 Warning lamp, battery charge
- A2 Alternator
- A41 Float, brake fluid level
- A42 Float, washer fluid level
- D18 Switch, handbrake
- G-C1 Earth on LH A-pillar
- G-A2 Earth in engine compartment, RH wing

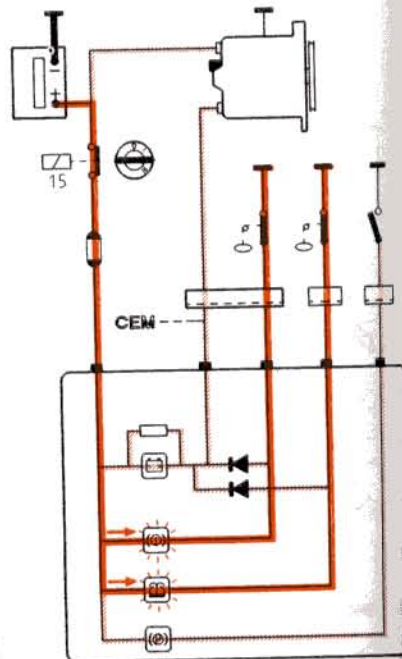
Ignition on, engine stationary.
No charging current



Engine running, alternator charging,
handbrake applied



Engine running, alternator charging,
brake fluid and washer fluid levels
too low



0-008/005

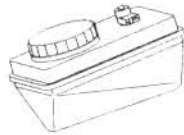
Warning lamps for brake fluid, handbrake, battery charge and washer fluid

A42



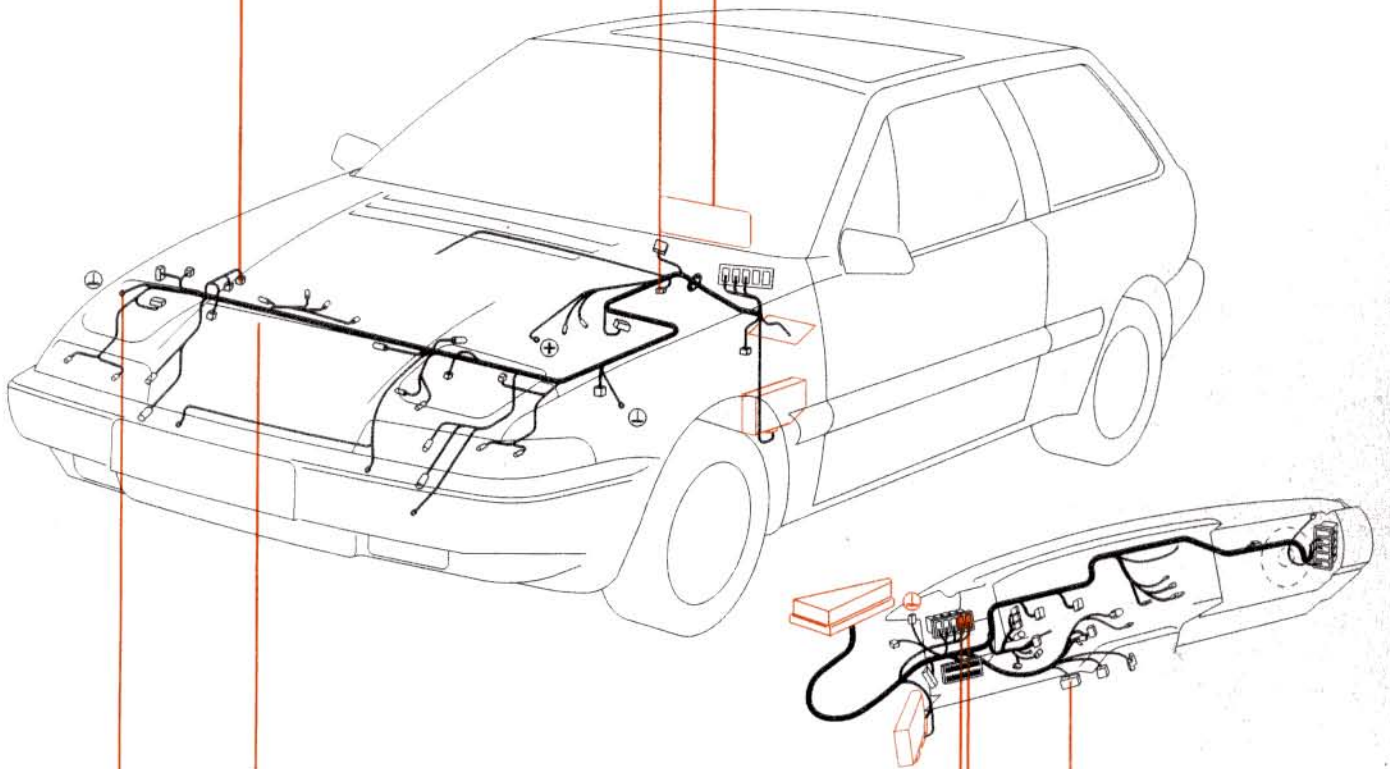
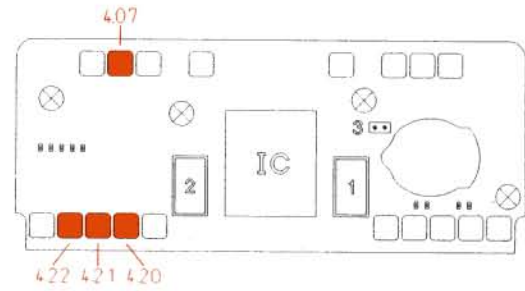
Gn-Br
Br

A41

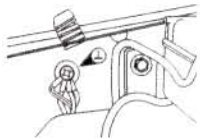


Bl
Br

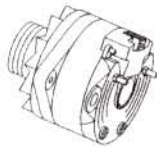
4.0



G-A2



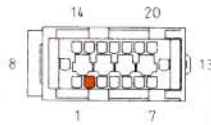
A2



61=P-Br

c61R

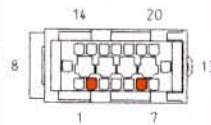
c61R ↔ a46R



2 =Gn-Br

c60W

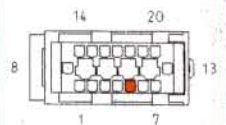
c60W ↔ a45W



2 =R-Br
6 =Bl (Or.)

c64W

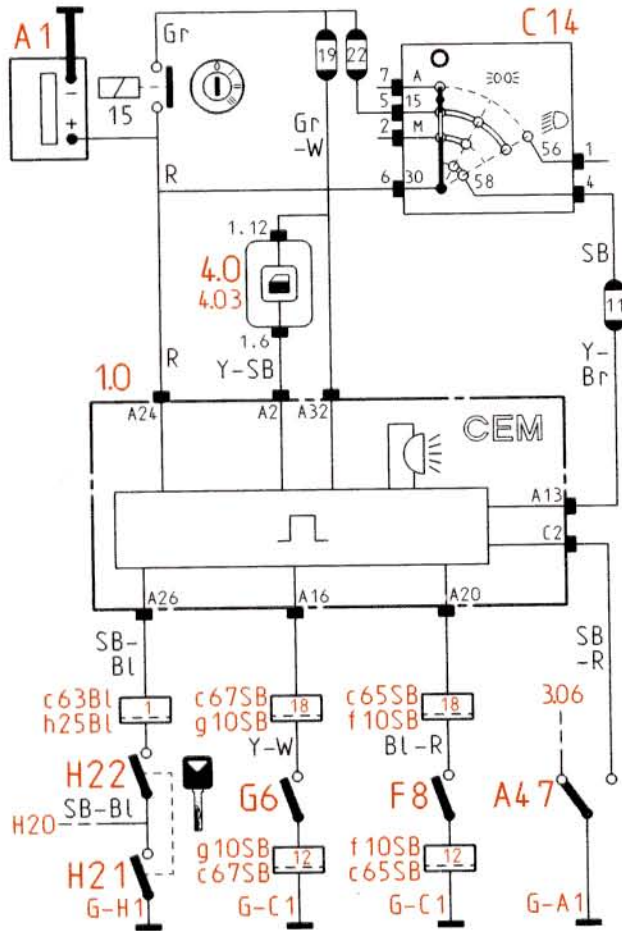
c64W ↔ d25W



5 =Gr

0-009/005

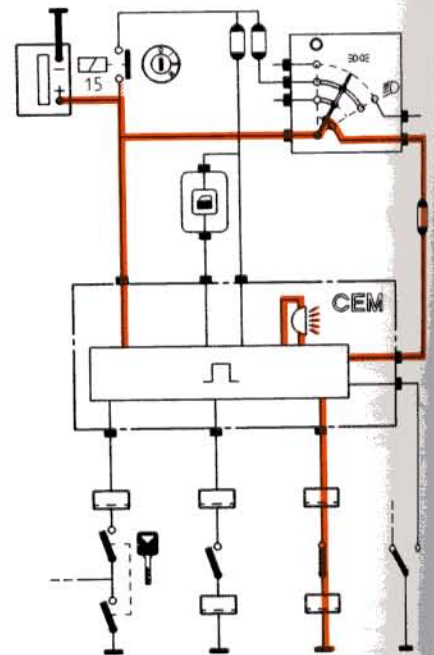
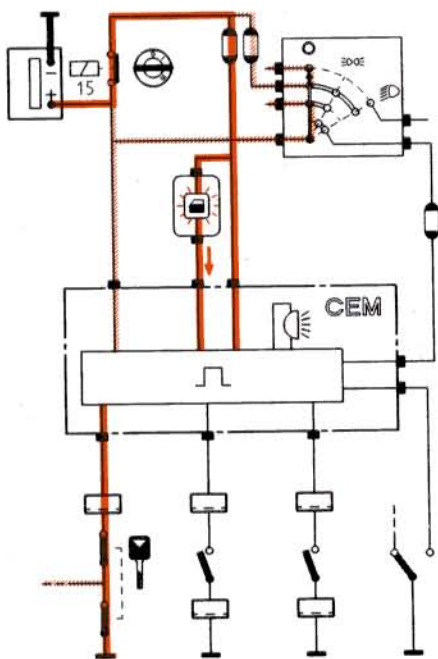
'Door open' warning lamp and 'lights on' warning buzzer



- 1.0 CEM
- 4.0 Instrument panel
- 4.03 Warning lamp, 'door open'
- A47 Switch, bonnet lock
- C14 Lighting switch
- F8 Switch, driver's door
- G6 Switch, passenger's door
- H21 Switch, luggage compartment light
- H22 Switch, tailgate lock
- G-A1 Earth in engine compartment, LH wing
- G-C1 Earth on LH A-pillar
- G-H1 Earth near LH tail light

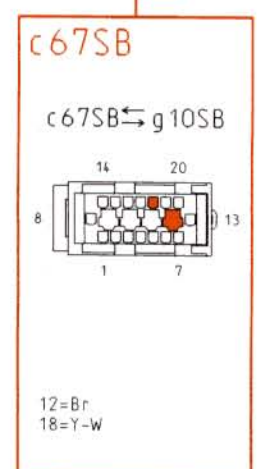
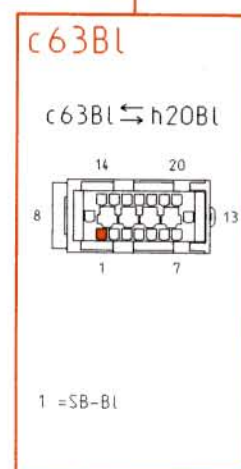
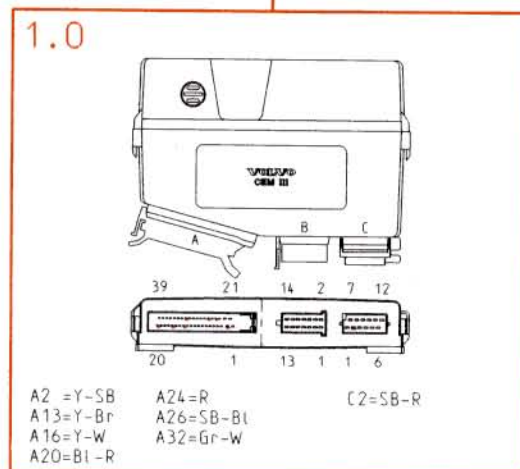
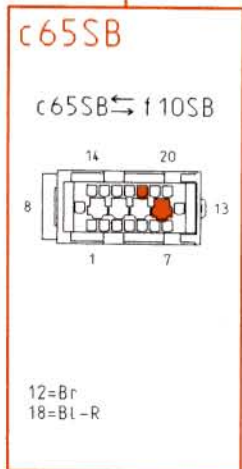
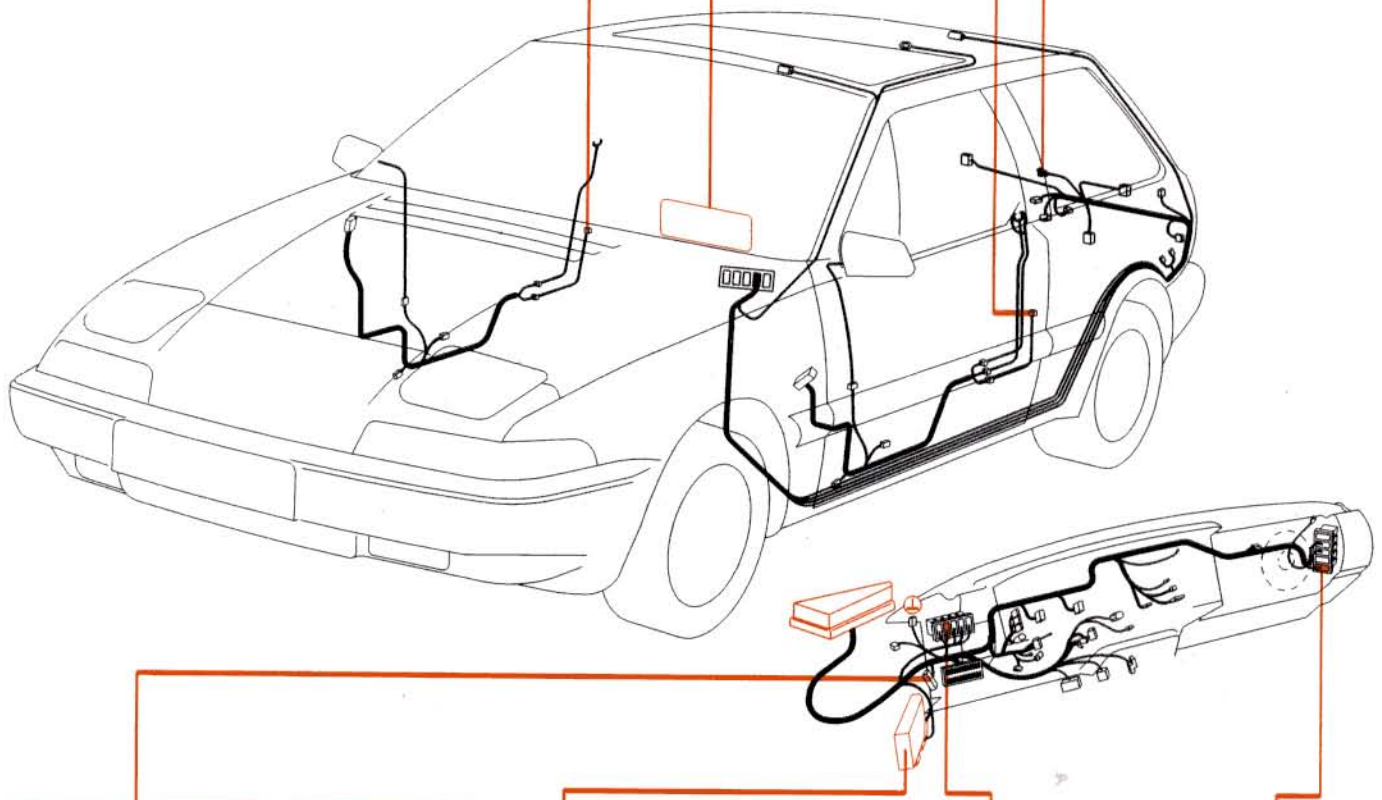
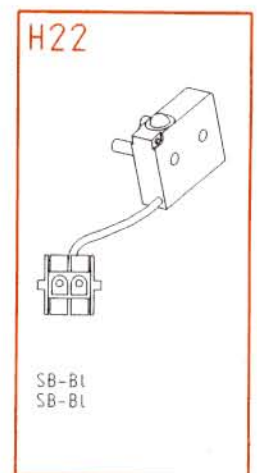
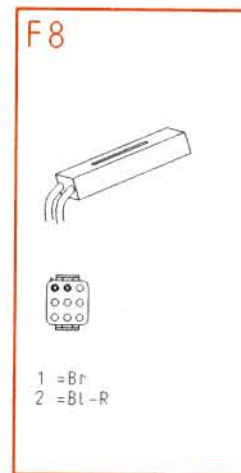
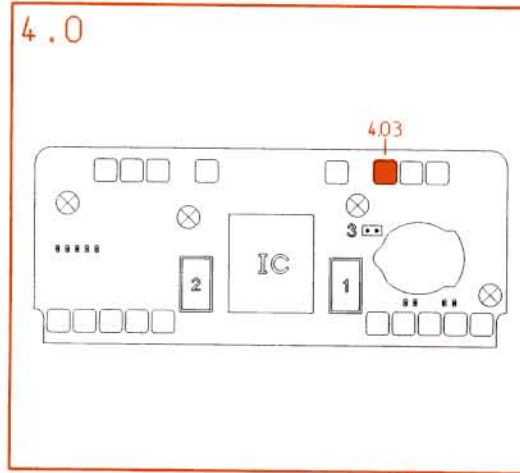
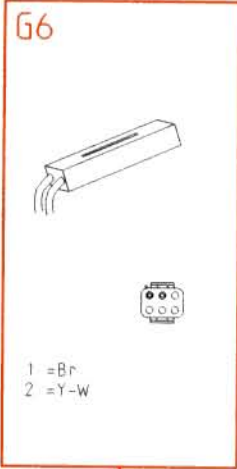
Ignition on. Door, tailgate or bonnet open

Ignition off. Lighting switched on, driver's door open, warning buzzer sounds

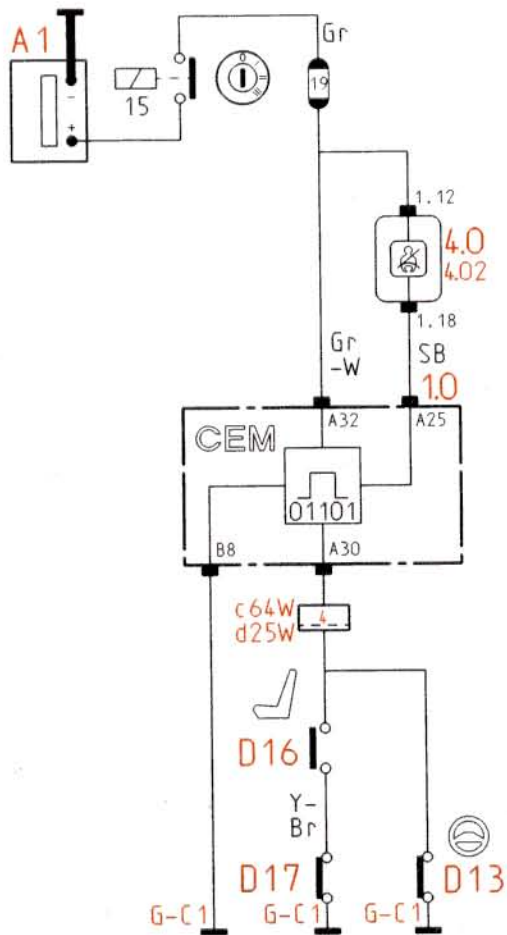


0-008/050

'Door open' warning lamp and 'lights on' warning buzzer

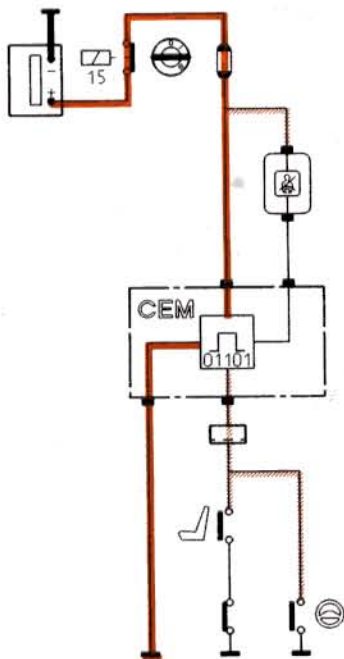


Seat belt warning lamp

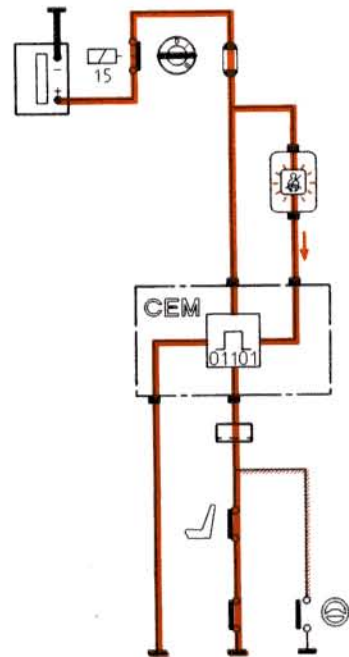


- 1.0 CEM
- 4.02 Warning lamp, seat belts
- D13 Seat belt contact, driver
- D16 Seat cushion contact, front passenger seat
- D17 Seat belt contact, passenger
- G-C1 Earth on LH A-pillar

Ignition on, driver's seat belt fastened

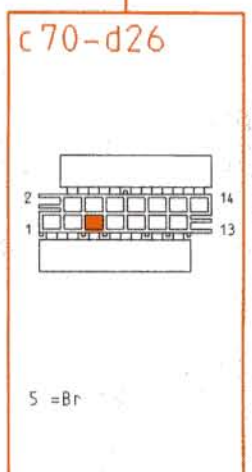
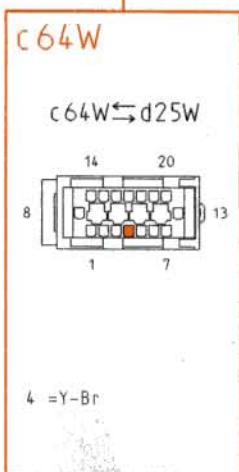
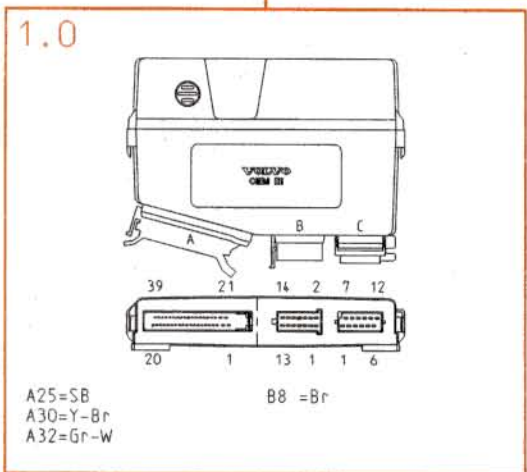
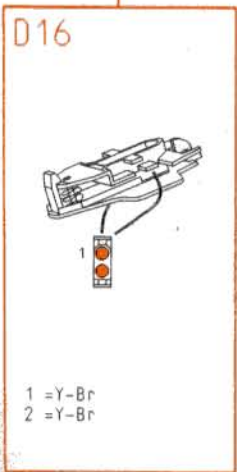
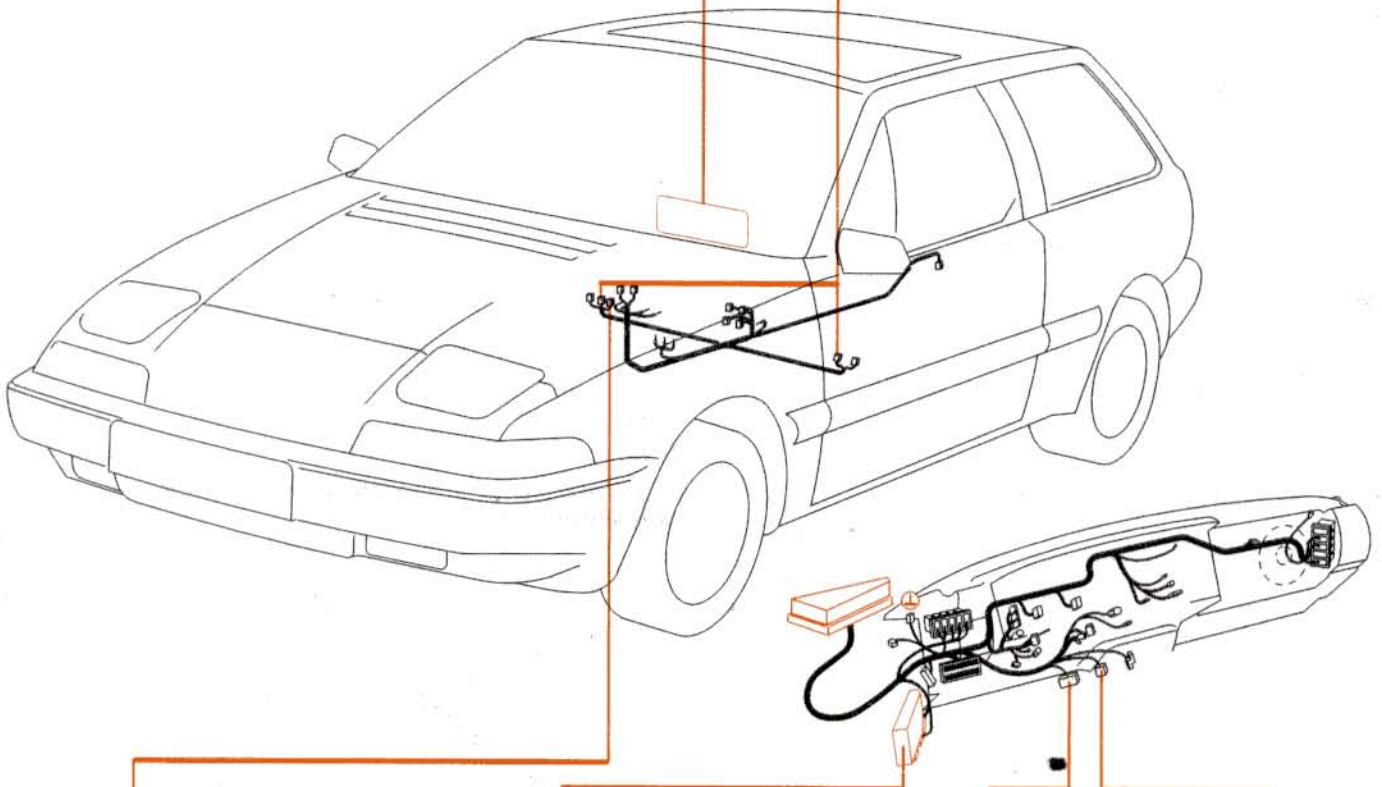
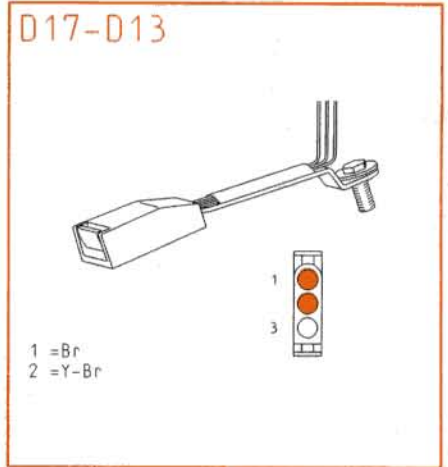
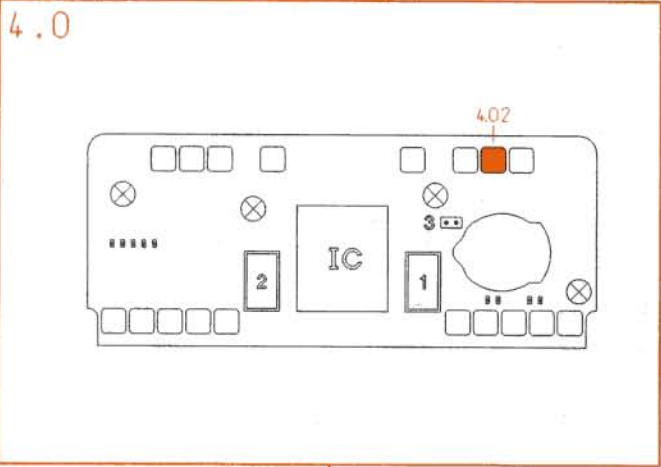


Ignition on, passenger seat occupied, seat belt not fastened



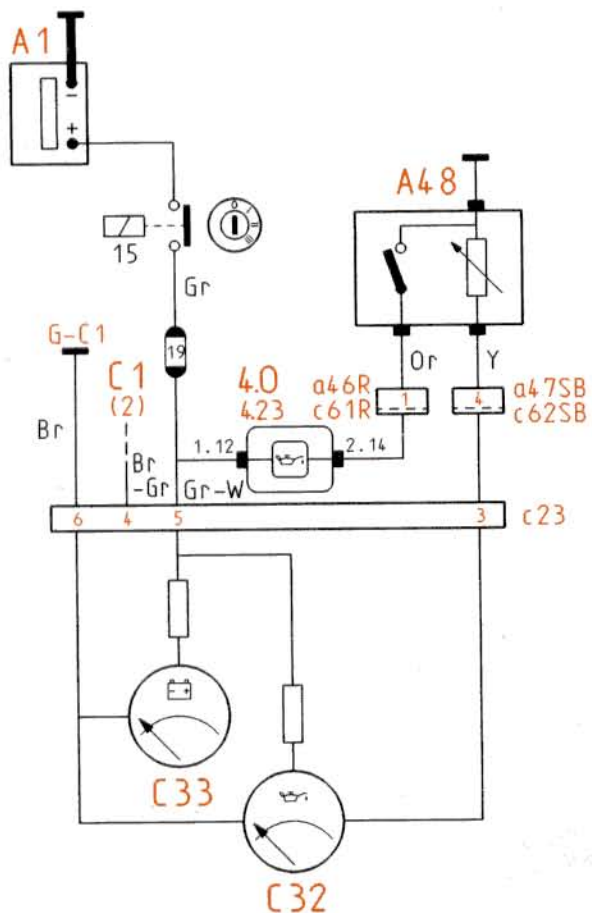
0-008/003

Seat belt warning lamp

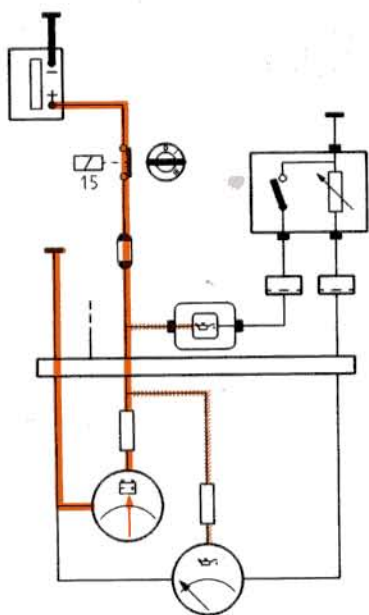


Battery voltmeter and oil pressure gauge with switch

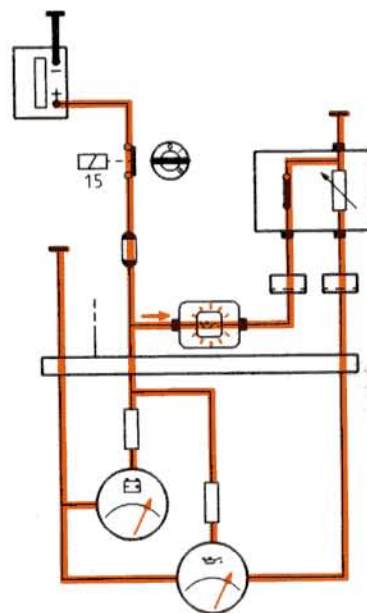
- 4.23 Warning lamp, oil pressure
- A48 Oil pressure transmitter, HL
- C1 Rheostat, dashboard lighting
- C32 Oil pressure gauge
- C33 Battery voltmeter
- G-C1 Earth on LH A-pillar



Ignition on, battery voltage is displayed

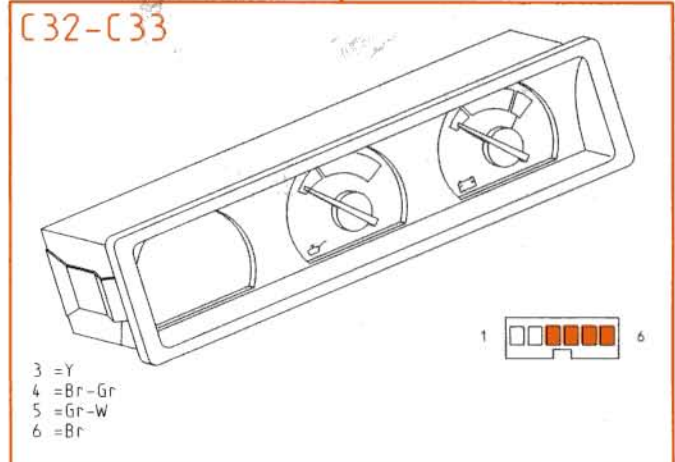
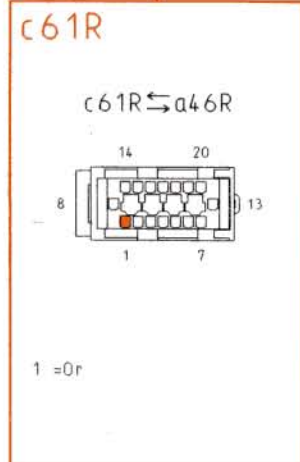
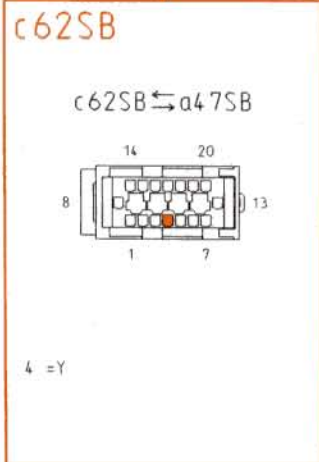
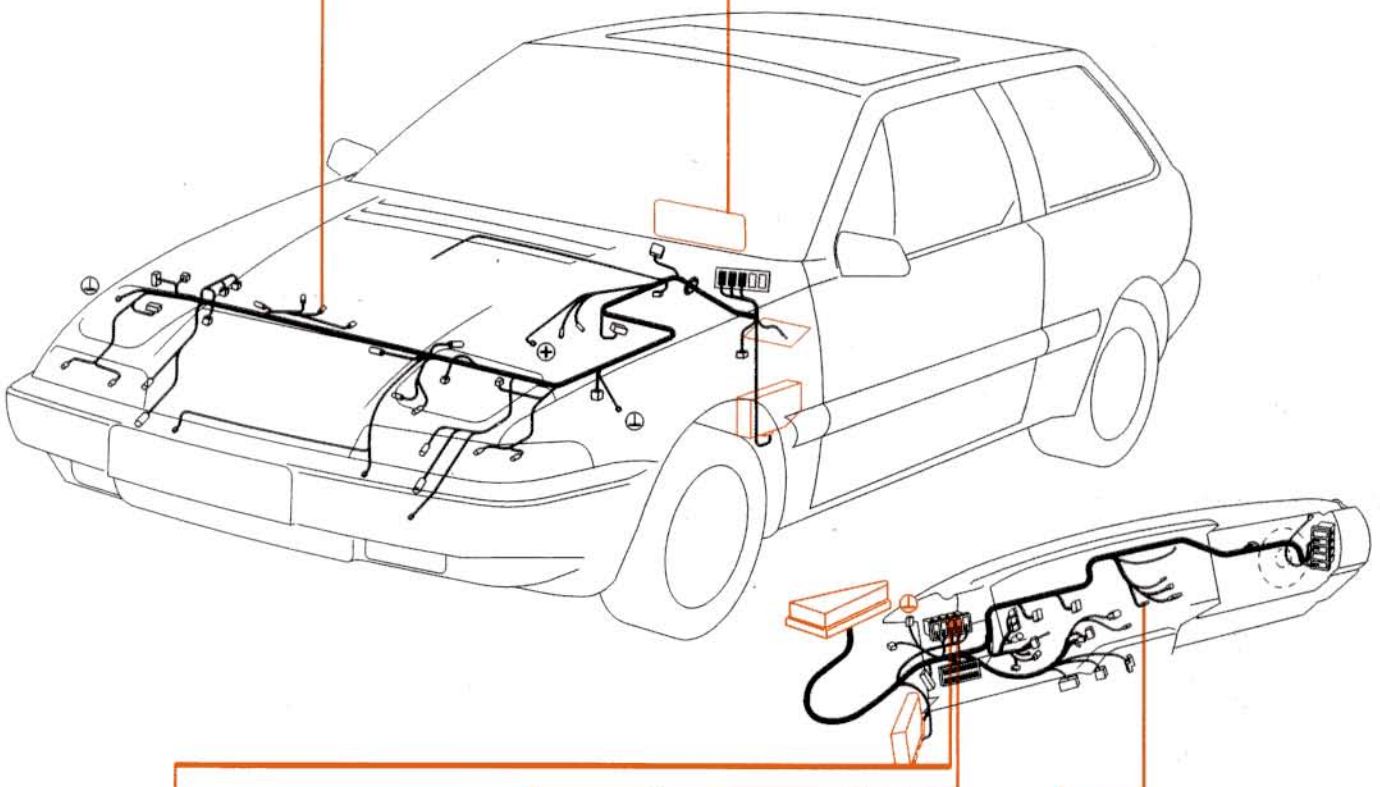
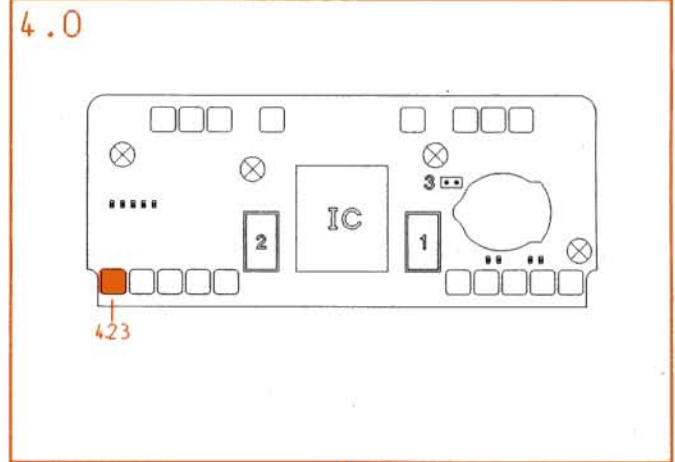
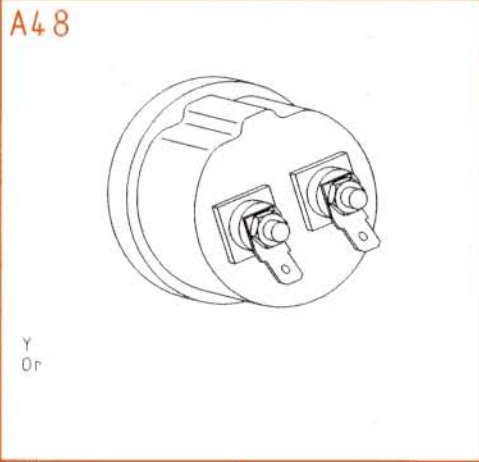


Ignition on, engine running, battery voltage and oil pressure are displayed



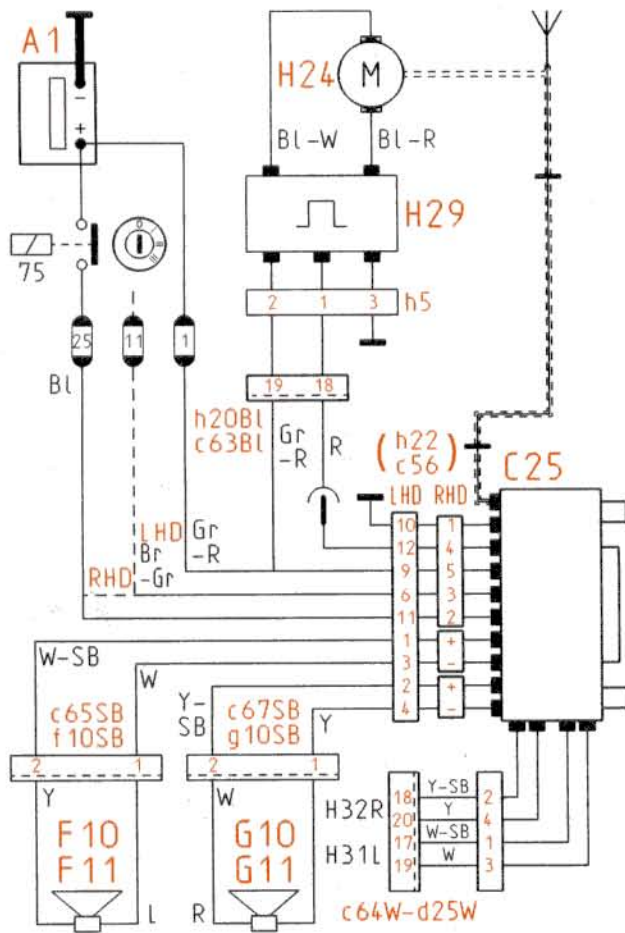
0-008/044

Battery voltmeter and oil pressure gauge with switch



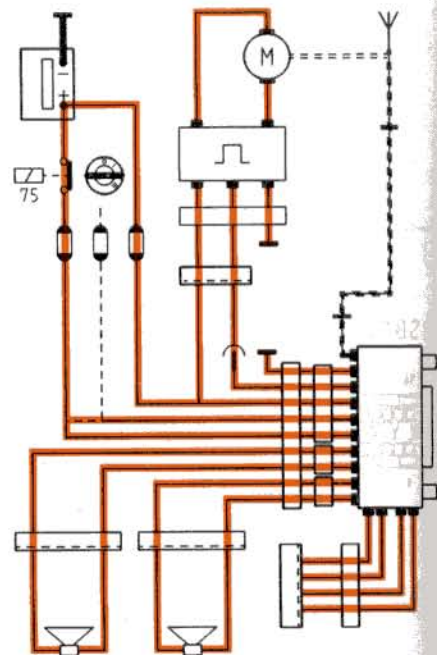
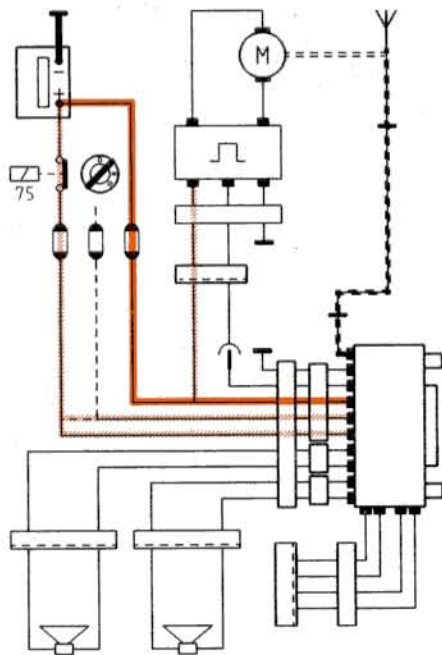
Radio connections

- C25 Radio
- F10 Loudspeaker, LF
- F11 Loudspeaker, HF
- G10 Loudspeaker, LF
- G11 Loudspeaker, HF
- H24 Motor, radio aerial
- H29 Relay, aerial motor
- H31 Loudspeaker, rear-left
- H32 Loudspeaker, rear-right



Radio off with memory

Radio on



0-008/006

Radio connections

F10, F11
G10, G11

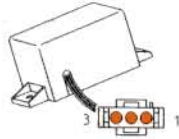


H24



Bl-R
Bl-W

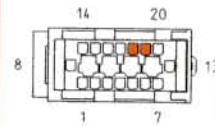
H29



1 = R
2 = Gr-R
3 = Br

c63Bl

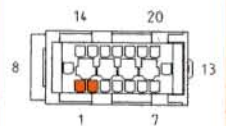
c63Bl ↔ h20Bl



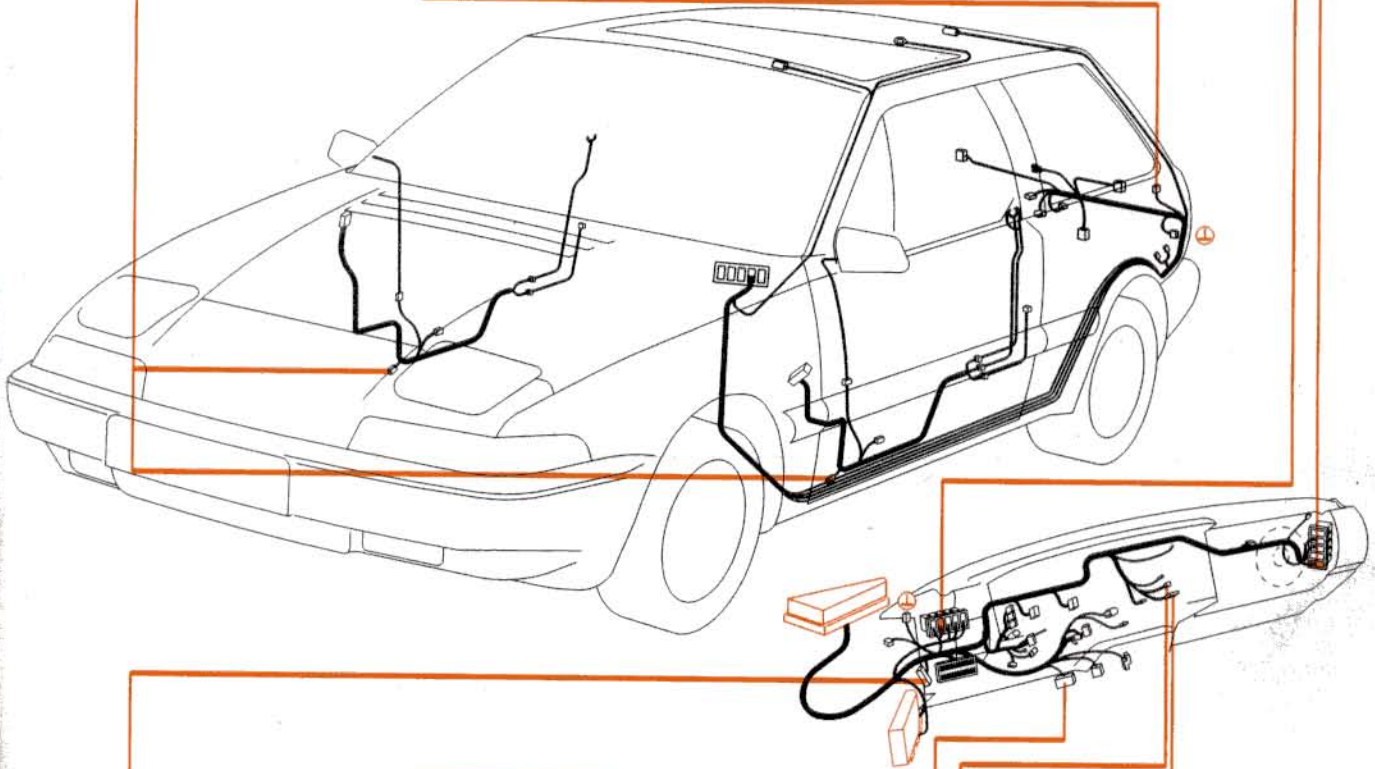
18=R
19=Gr-R

c67SB

c67SB ↔ g10SB

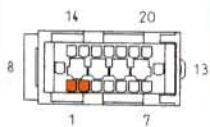


1 = Y
2 = Y-SB



c65SB

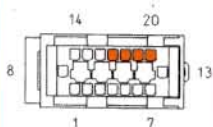
c65SB ↔ f10SB



1 = W
2 = W-SB

c64W

c64W ↔ d25W



17=W-SB
18=Y-SB
19=W
20=Y

c72 LHD

c72 ↔ c25



1 = W-SB 3 = W
2 = Y-SB 4 = Y

c33 RHD

c33 ↔ c25



1 = Y-SB 3 = W-SB
2 = Y 4 = W

c73 RHD

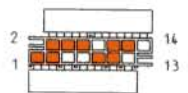
c73 ↔ c25



1 = Br
2 = Bl
3 = Br-Gr
4 = R
5 = Gr-R
6 = --

c71 LHD

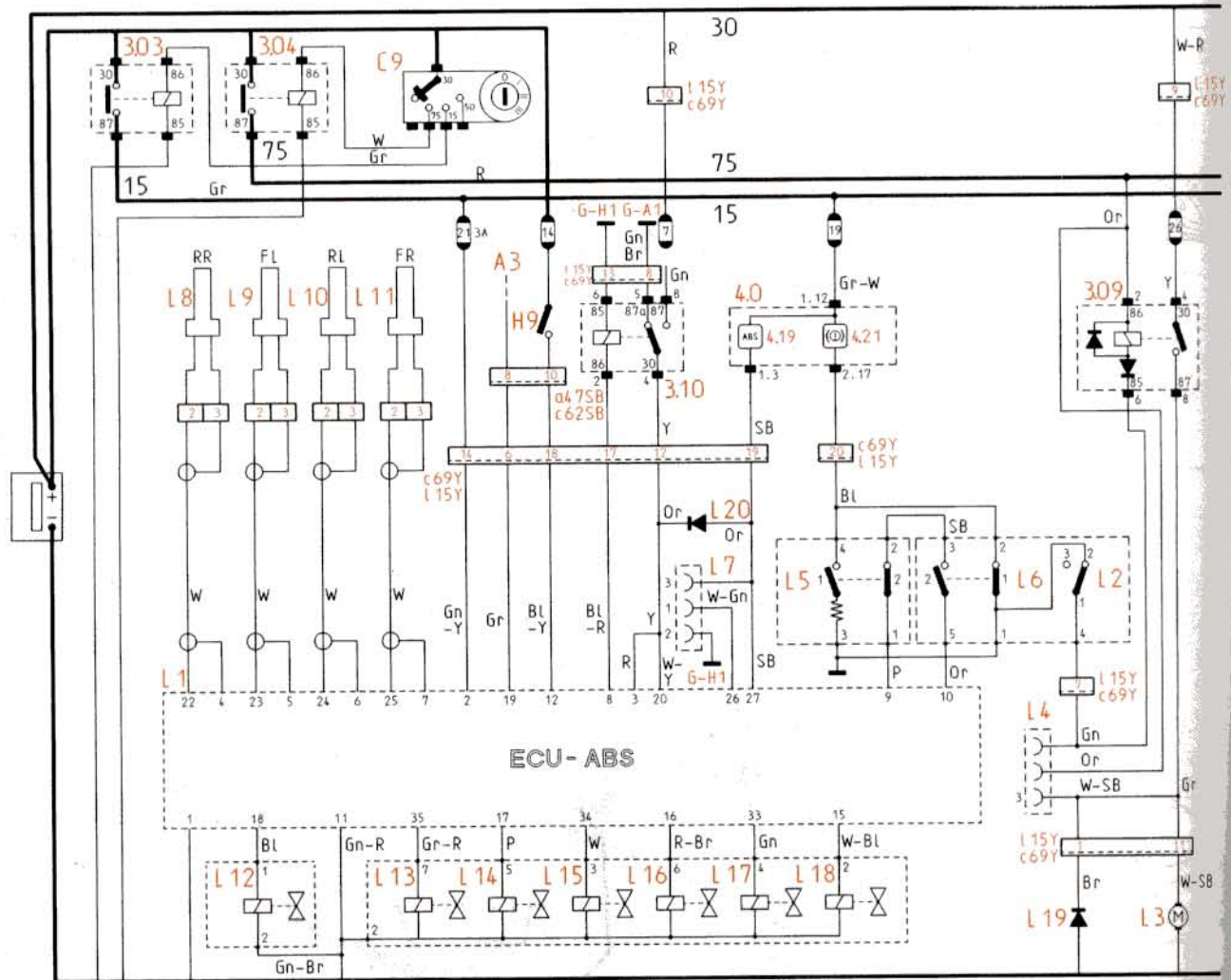
c71 ↔ c25



1 = W-SB 8 = --
2 = Y-SB 9 = Gr-R
3 = W 10 = Br
4 = Y 11 = Bl
5 = -- 12 = R
6 = Br-Gr 13 = --
7 = -- 14 = --

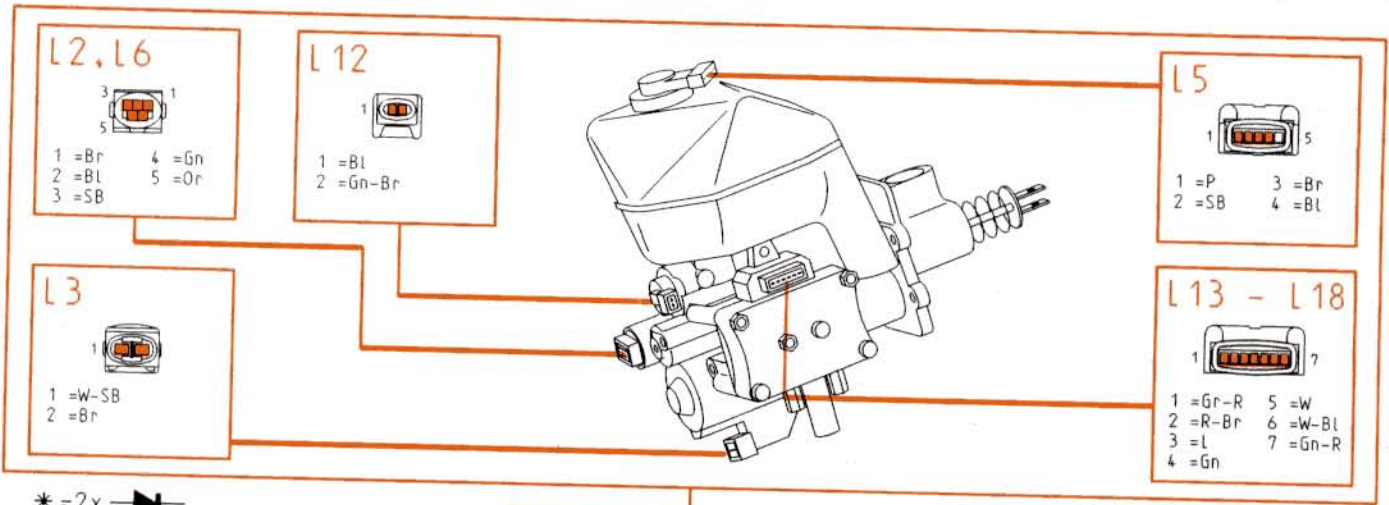
0-009/059

Anti-lock Brake System

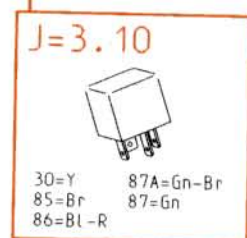
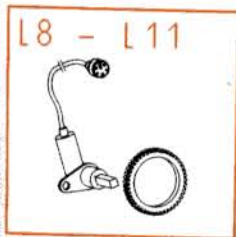
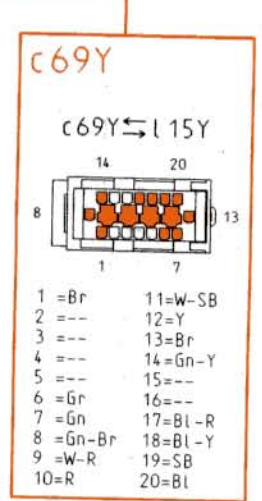
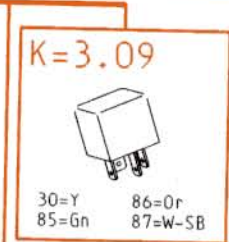
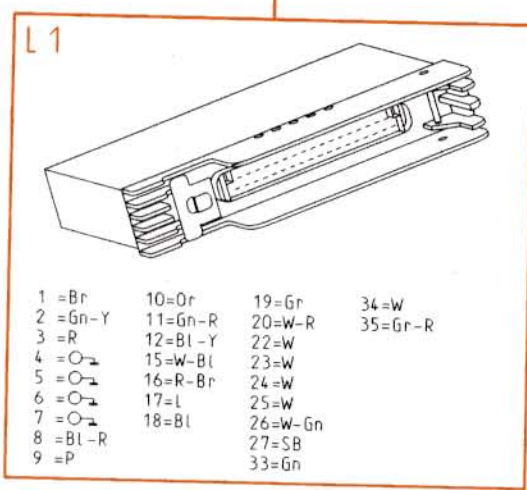
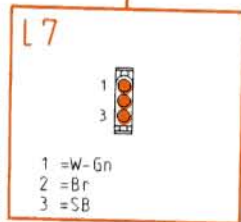
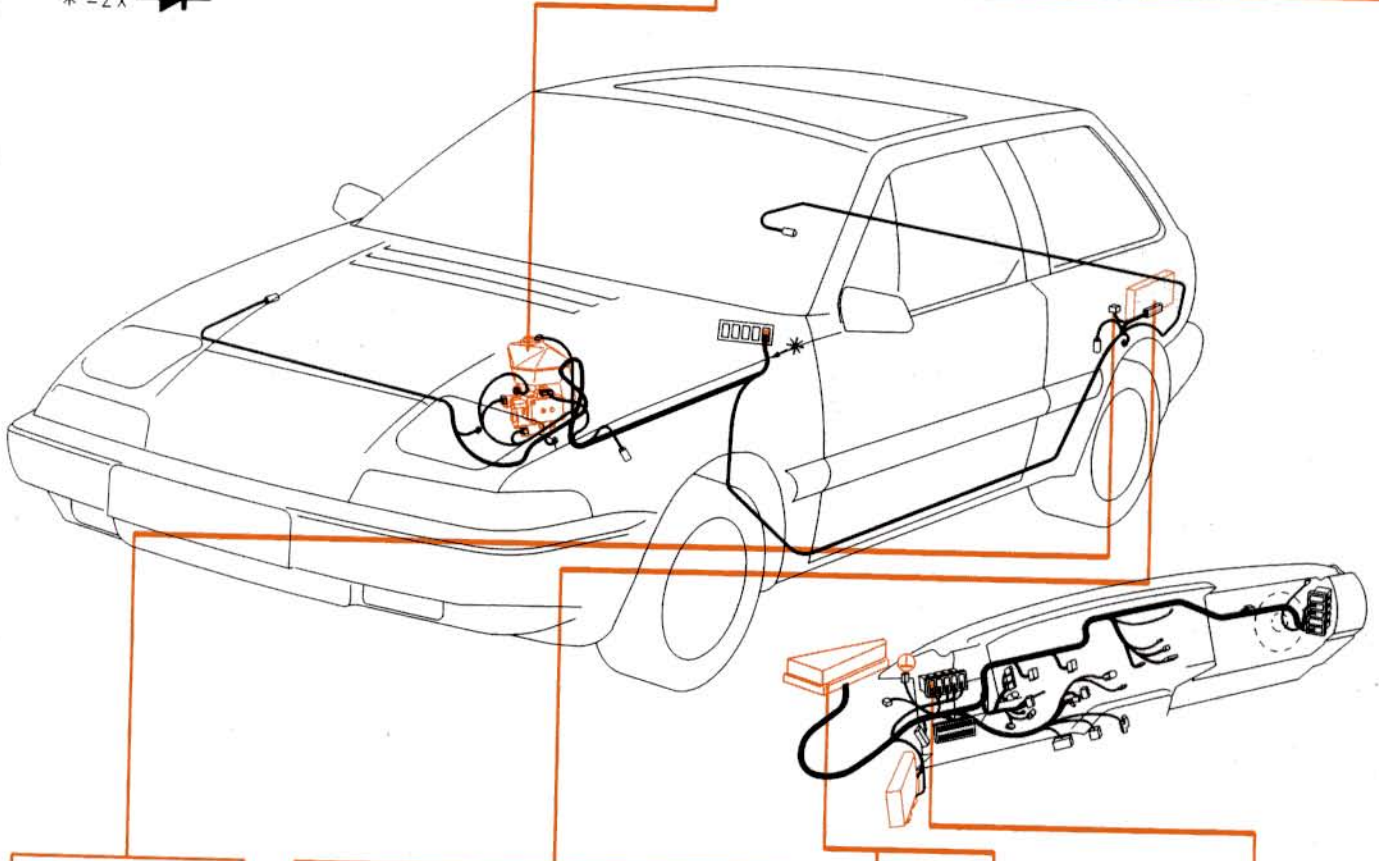


- 3.03 (C) Ignition relay 15
- 3.04 (B) Relay, terminal 75
- 3.09 (J) Pump relay, ABS
- 3.10 (K) System relay, ABS
- 4.19 Warning lamp, ABS
- 4.21 Warning lamp, brake fluid
- A3 Starter motor
- H9 Switch, brake lights
- L1 ECU
- L2 Pressure switch
- L3 Pump motor
- L4 Test plug, pump
- L5 Float, fluid level warning
- L6 Switch, warning lamp
- L7 Diagnostic plug
- L8 Wheel sensor, rear-right
- L9 Wheel sensor, front-left
- L10 Wheel sensor, rear-left
- L11 Wheel sensor, front-right
- L12 Main valve
- L13 Inlet valve, front wheel brake, left
- L14 Inlet valve, rear wheel brakes
- L15 Outlet valve, front wheel brake, right
- L16 Outlet valve, front wheel brake, left
- L17 Outlet valve, rear wheel brakes
- L18 Inlet valve, front wheel brake, right
- L19 Diode, motor
- L20 Diode
- G-A1 Earth in engine compartment, LH wing
- G-H1 Earth near LH tail light

Anti-lock Brake System



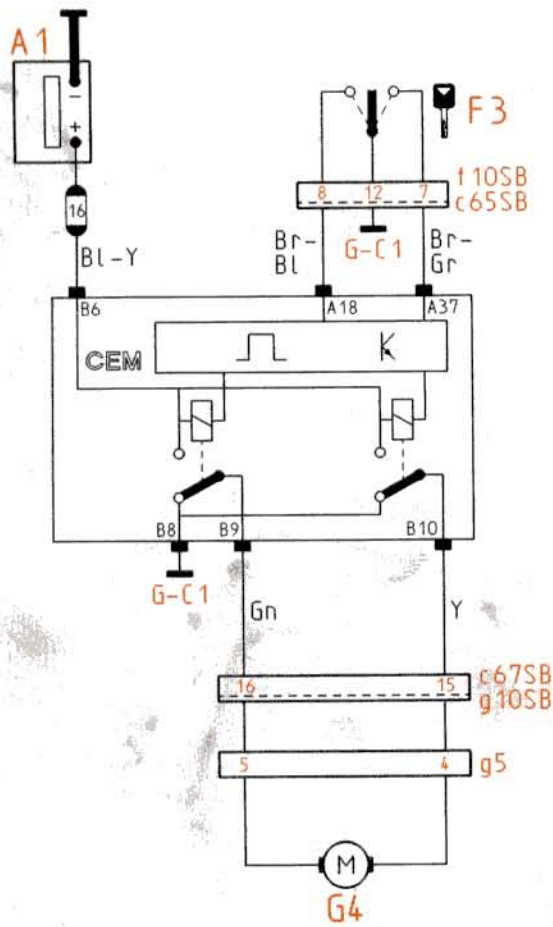
* = 2x



0-009/075

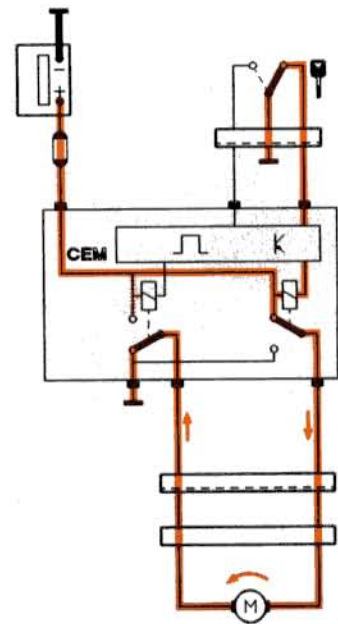
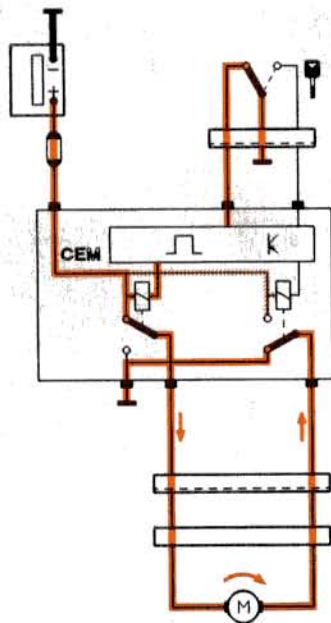
Central locking system

- 1.0 CEM
- F3 Door lock switch, driver's door
- G4 Motor, central locking
- G-C1 Earth on LH A-pillar



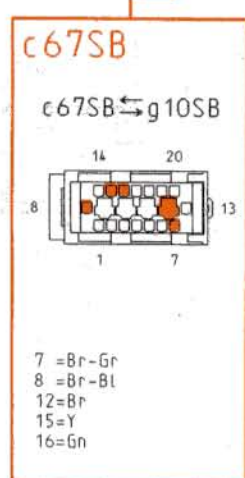
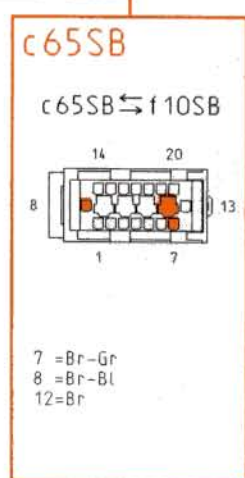
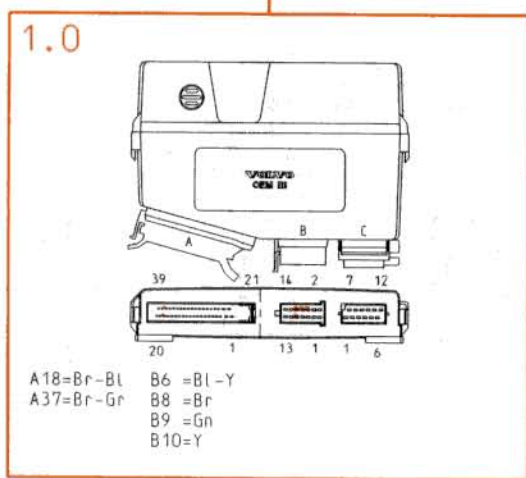
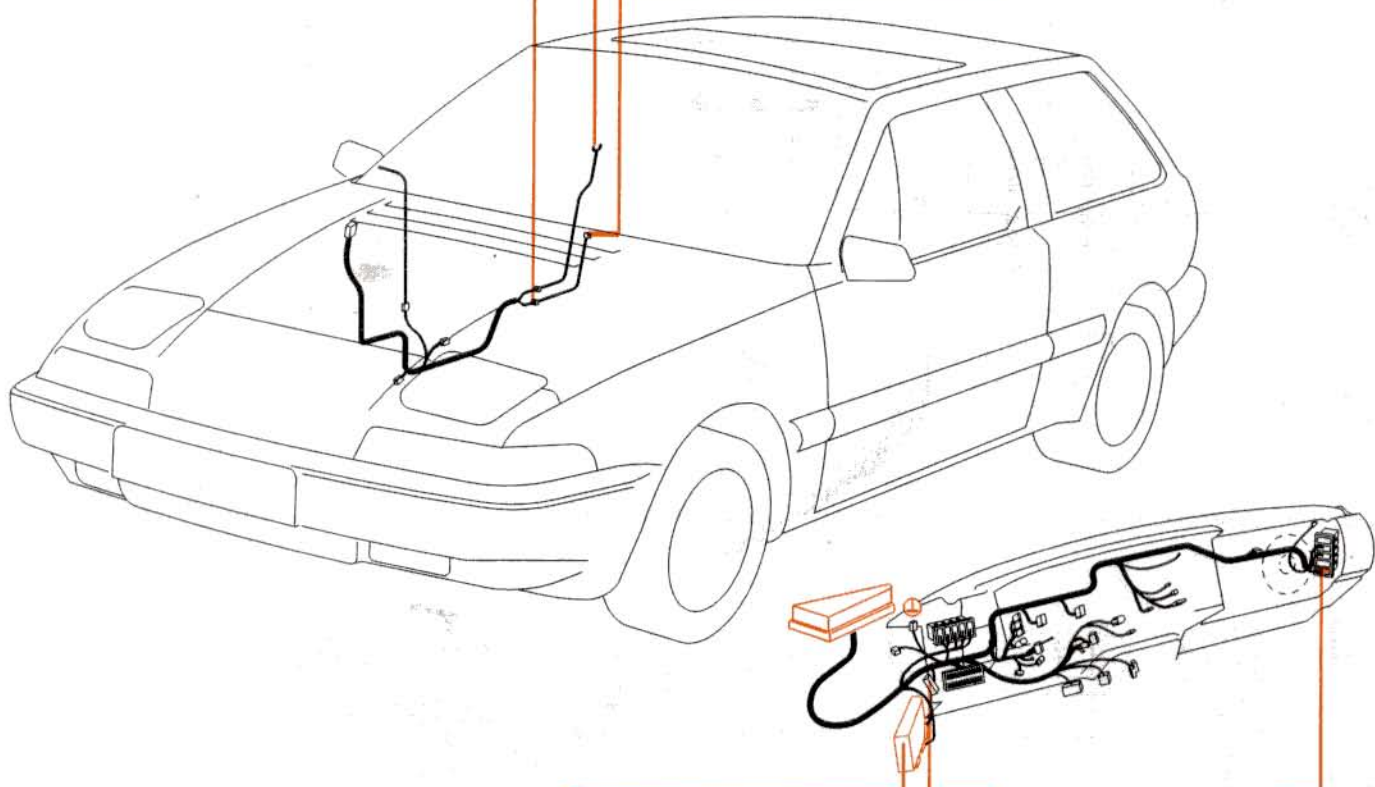
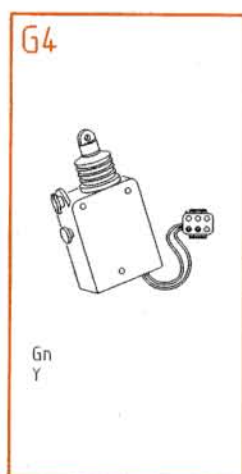
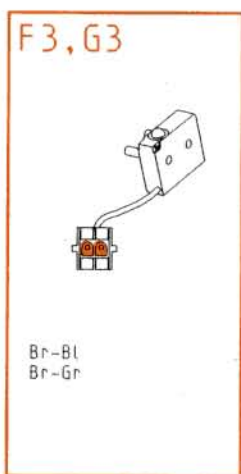
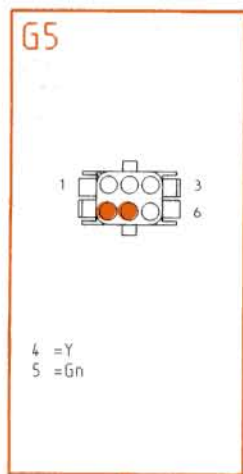
Locking with key

Unlocking with key

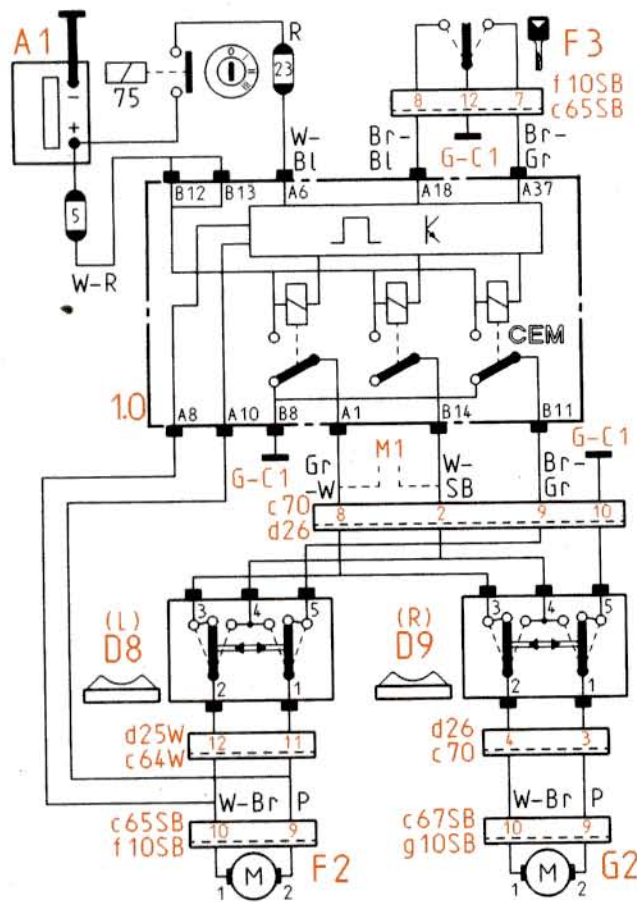


0-008/028

Central locking system



Electrically operated door windows

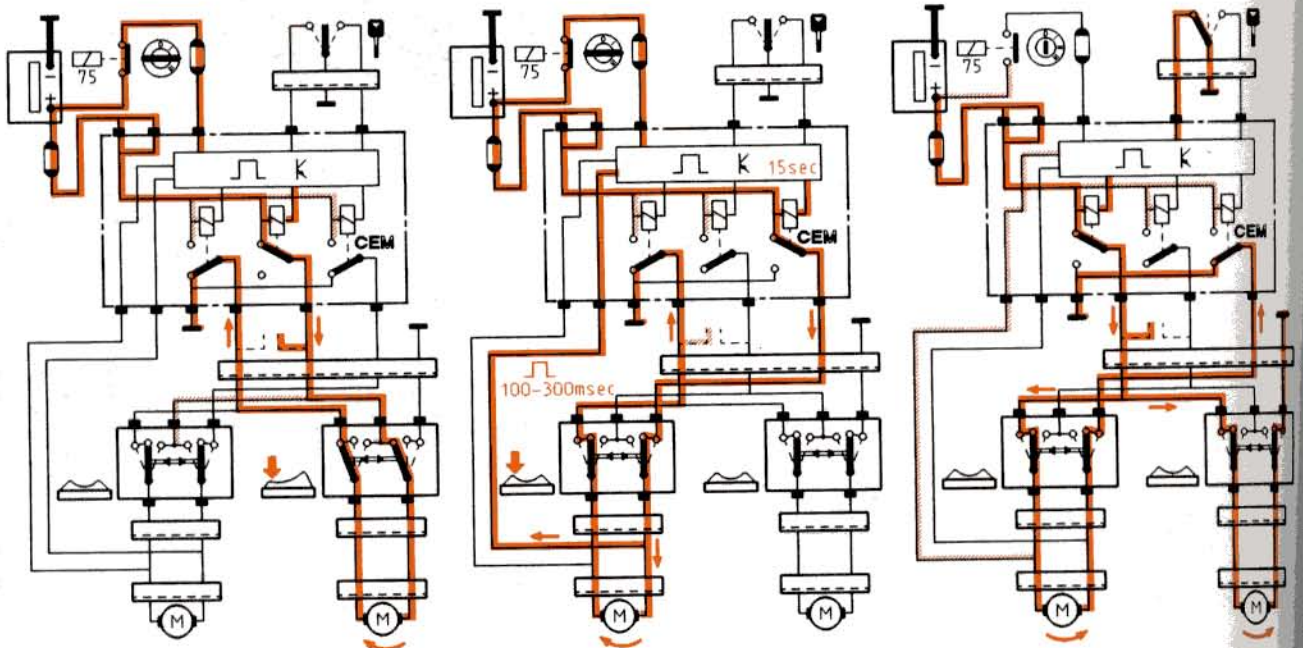


- 1.0 CEM
- D8 Switch, electrically operated door window, passenger's door
- D9 Switch, electrically operated door window, driver's door
- F2 Motor, electrically operated door window, driver's door
- F3 Door lock switch, driver's door
- G2 Motor, electrically operated door window, passenger's door
- G3 Door lock switch, passenger's door
- M1 Switch, tilting sun roof
- G-C1 Earth on LH A-pillar

Passenger's door, window open

Driver's door, window auto-down

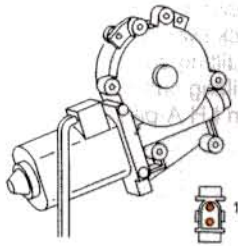
Closing the windows with the key



0-008/051

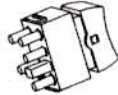
Electrically operated door windows

F2, G2



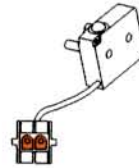
1 = W-Br
2 = P

D8, D9



1 = P
2 = W-Br
3 = Gr-W
4 = W-SB
5 = Br (Br-Gr)

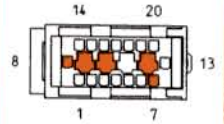
F3



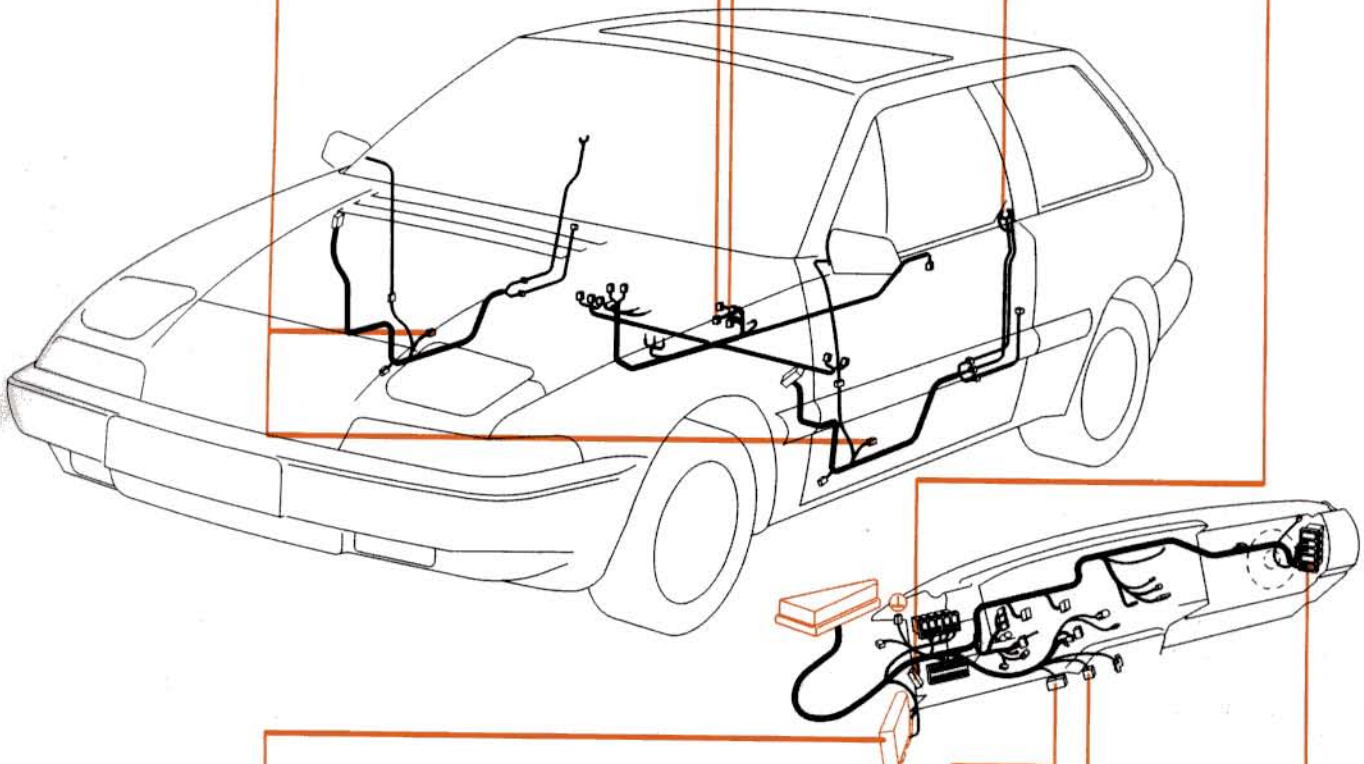
Br-Bl
Br-Gr

c65SB

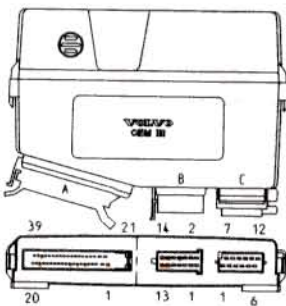
c65SB ↔ f10SB



7 = Br-Gr
8 = Br-Bl
9 = P
10 = W-Br
12 = Br



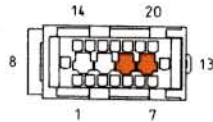
1.0



A1 = Gr-W A18 = Br-Bl B8 = Br B14 = W-SB
A6 = W-Bl A37 = Br-Gr B11 = Br-Gr
A8 = W-Br B12 = W-R
A10 = P B13 = W-R

c64W

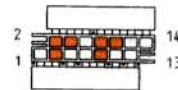
c64W ↔ d25W



11 = P
12 = W-Br

c70

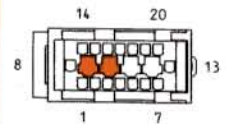
c70 ↔ d26



2 = W-SB
3 = P
4 = W-Br
8 = Gr-W
9 = Br-Gr
10 = Br

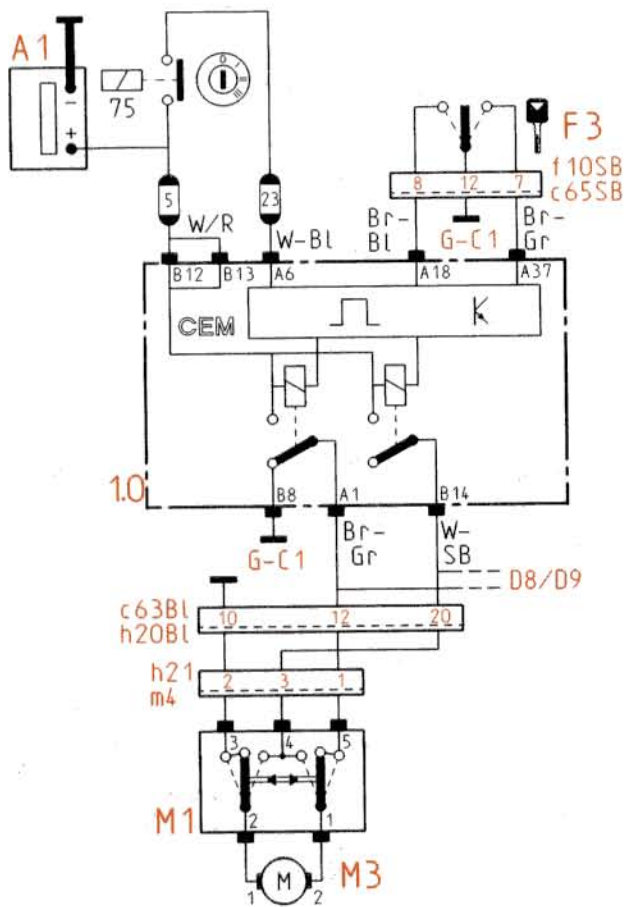
c67SB

c67SB ↔ g10SB



9 = P
10 = W-Br

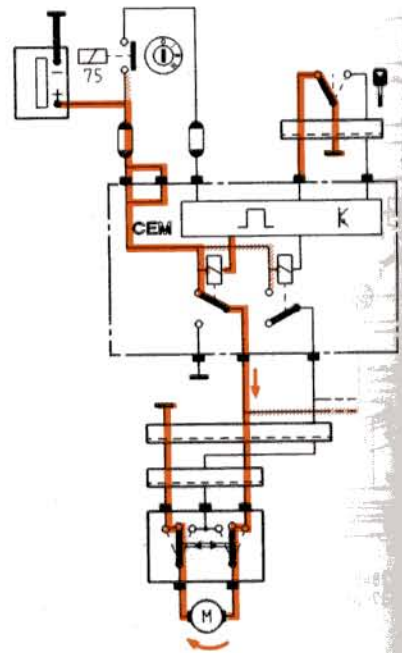
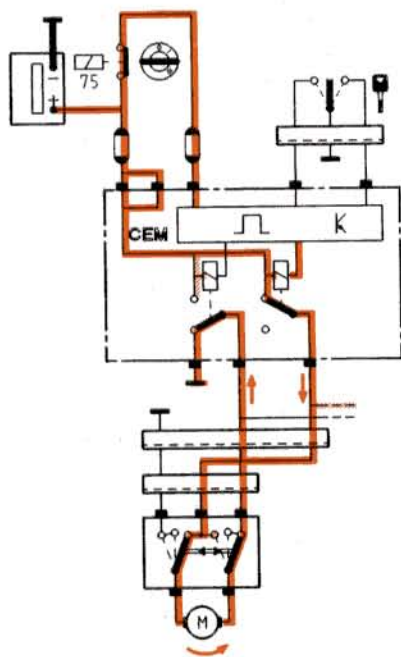
Tilting sun roof



- 1.0 CEM
- D8 Switch, electrically operated door window
- D9 Switch, electrically operated door window
- F3 Door lock switch, driver's door
- G3 Door lock switch, passenger's door
- M1 Switch, tilting sun roof
- M3 Motor, tilting sun roof
- G-C1 Earth on LH A-pillar

Switch being operated, sun roof open

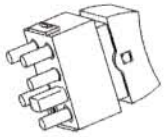
Closing with the key



0-008/080

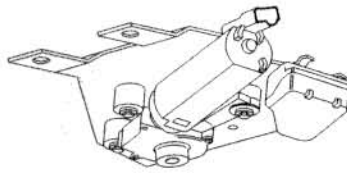
Tilting sun roof

M1

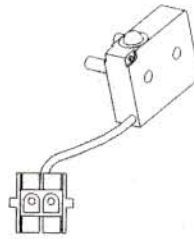


3 = Br
4 = W-SB
5 = Br-Gr

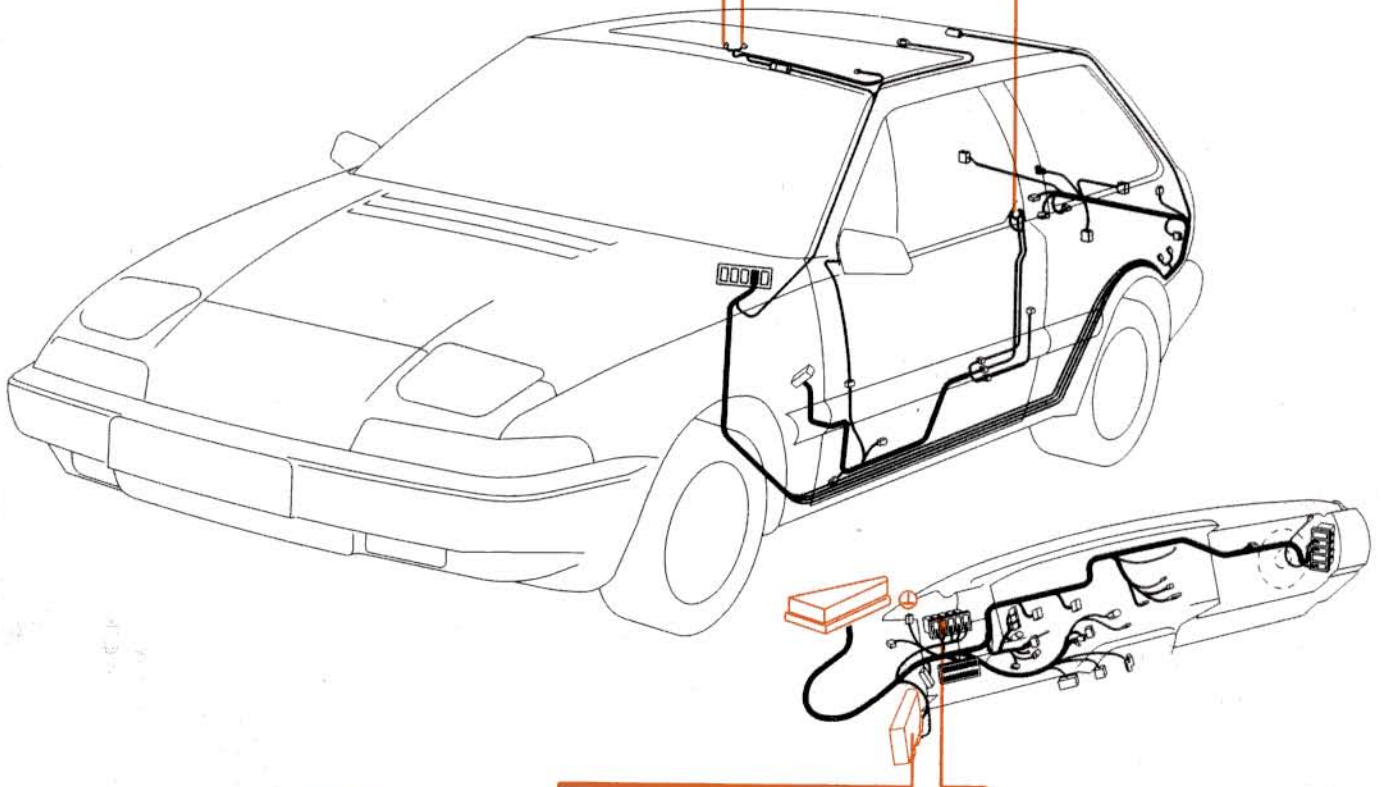
M3



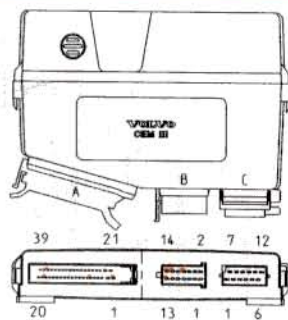
F3



Br-Bl
Br-Gr



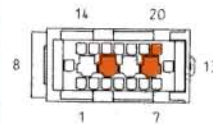
1.0



A1 = Br-Gr	B8 = Br
A6 = W-Bl	B12 = W-R
A18 = Br-Bl	B13 = W-R
A37 = Br-Gr	B14 = W-SB

c63Bl

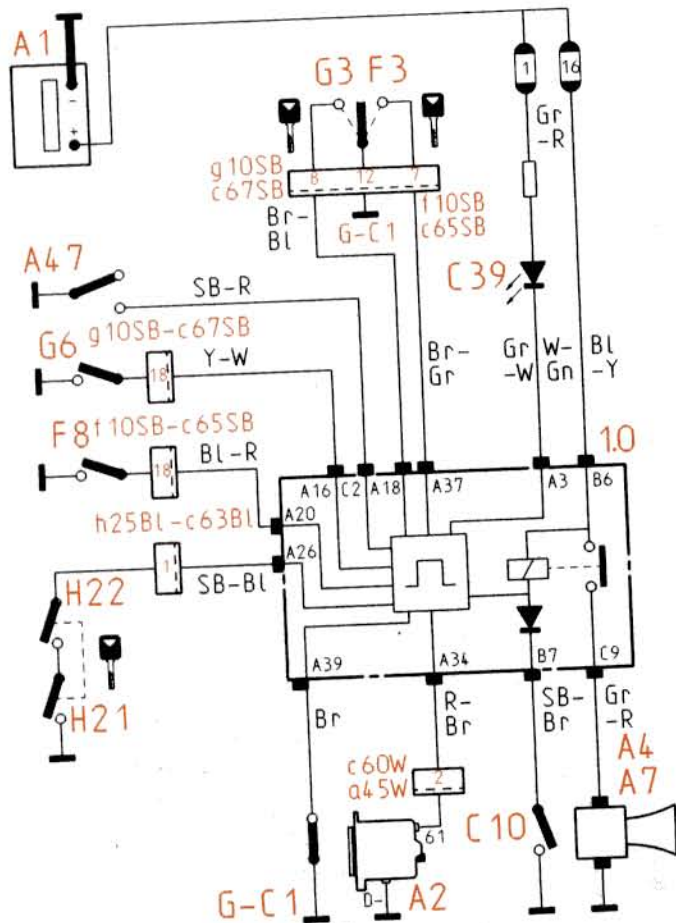
c63Bl ↔ h20Bl



10 = Br
12 = Br-Gr
20 = W-SB

Anti-theft alarm and horn

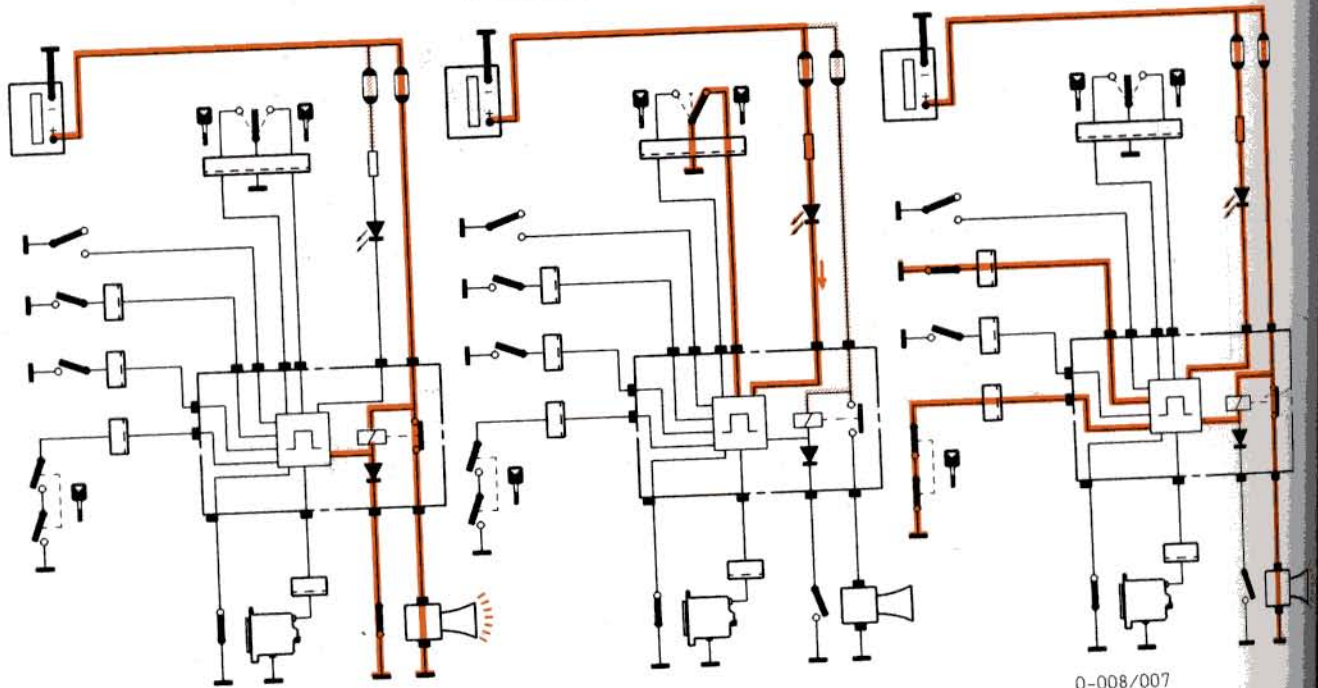
- 1.0 CEM
- A2 Alternator
- A4/A7 Horn
- A47 Switch, bonnet lock
- C10 Switch, horn
- C39 LED, anti-theft alarm
- F3 Door lock switch, driver's door
- F8 Switch, driver's door
- G3 Door lock switch, passenger's door
- G6 Switch, passenger's door
- H21 Switch, luggage compartment light
- H22 Switch, tailgate lock
- G-C1 Earth on LH A-pillar



Horn pad pressed in

Locking with the key. Alarm is armed after 45 seconds. LED flashes

Tailgate or door forced open, alarm triggered



0-008/007

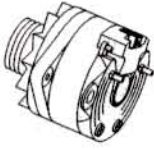
Anti-theft alarm and horn

A7

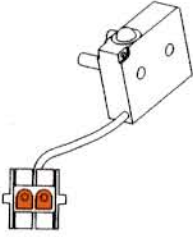


Gr-R
Br

A2

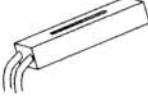



F3, G3, H22



1 = Br
2 = Bl-R

F8, G6

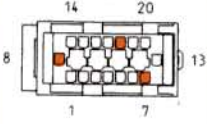



F8
1 = Bl-R
2 = Br

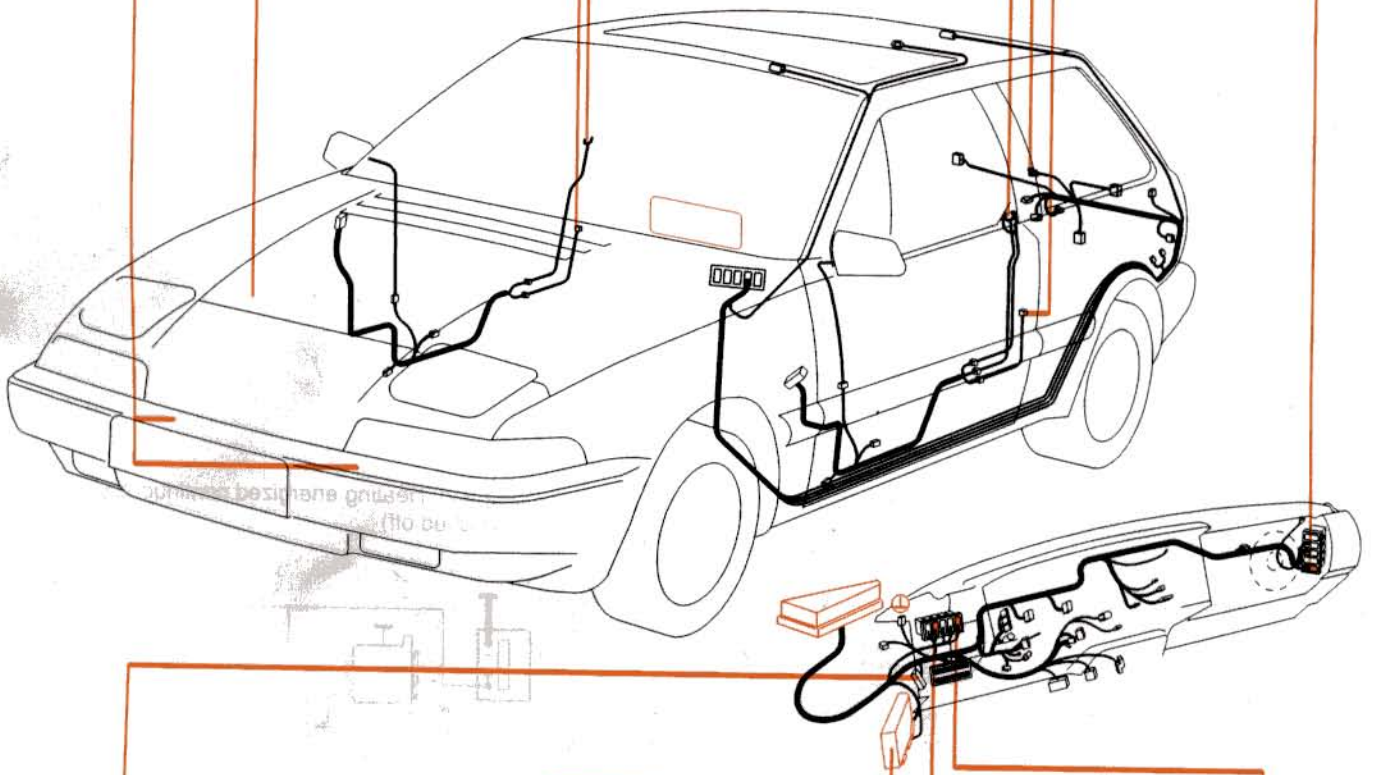
G6
1 = Y-W
2 = Br

c67SB

c67SB ↔ g10SB

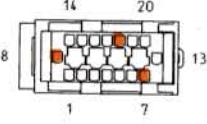


7 = Br-Gr G3-1.0
8 = Br-Bl G3-1.0
18 = Y-W



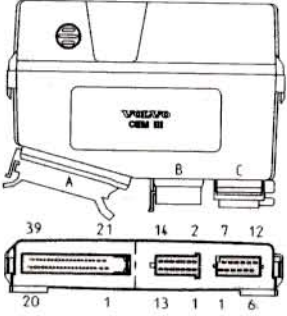
c65SB

c65SB ↔ f10SB



7 = Br-Gr F3-1.0
8 = Br-Bl F3-1.0
18 = Bl-R

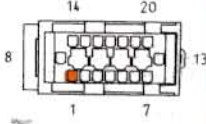
1.0



A3 = W-Gn A26 = SB-Bl A39 = Br C2 = SB-R
A16 = Y-W A32 = Gr-W B6 = Bl-Y C9 = Gr-R
A18 = Br-Bl A34 = R-Br B7 = SB-Br
A20 = Bl-R A37 = Br-Gr

c63Bl

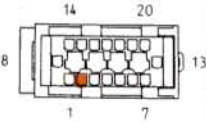
c63Bl ↔ h20Bl



1 = SB-Bl

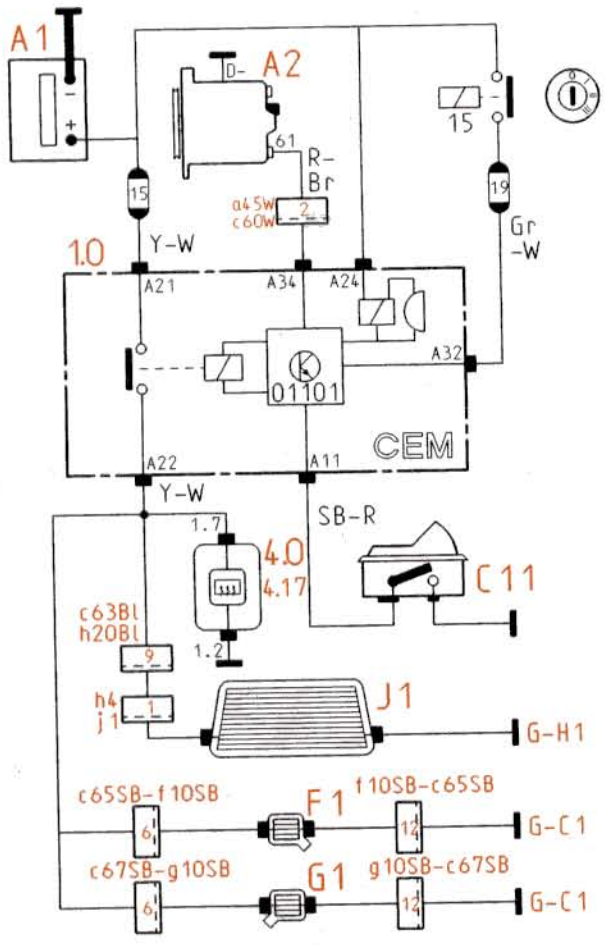
c60W

c60W ↔ a45W



2 = R-Br

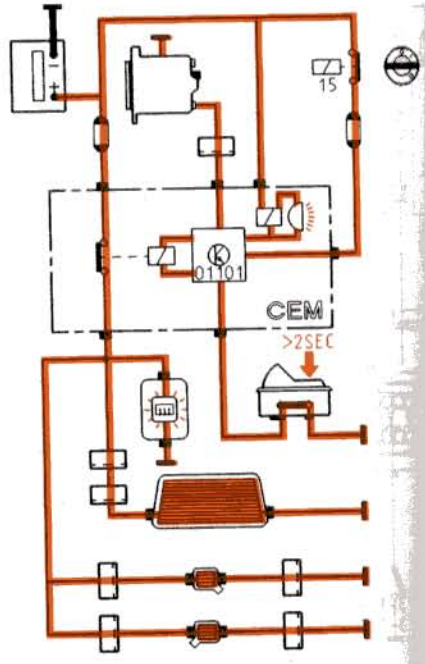
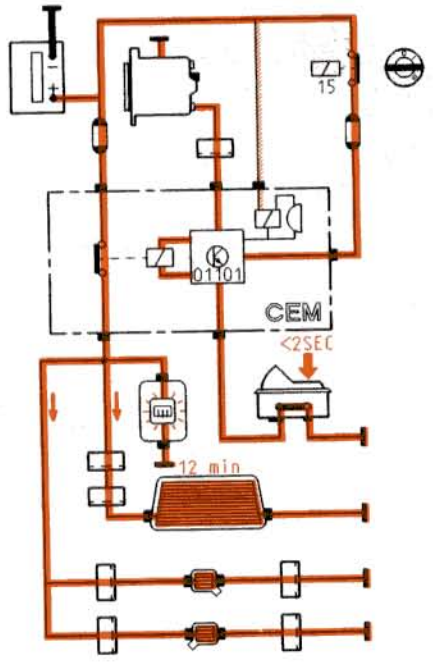
Rear window and door mirror heating



- 1.0 CEM
- 4.0 Instrument panel
- 4.17 Warning lamp, rear window heating
- A2 Alternator
- C11 Switch, rear window heating
- F1 Heating element, door mirror
- G1 Heating element, door mirror
- J1 Heating element, rear window
- G-C1 Earth on LH A-pillar
- G-H1 Earth near LH tail light

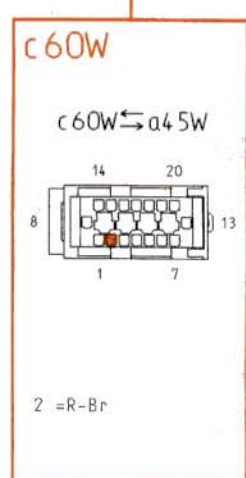
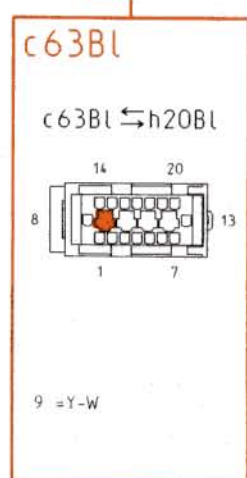
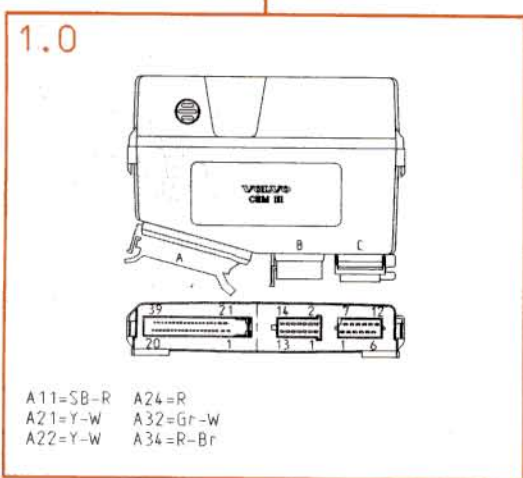
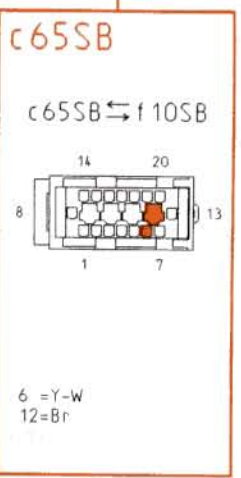
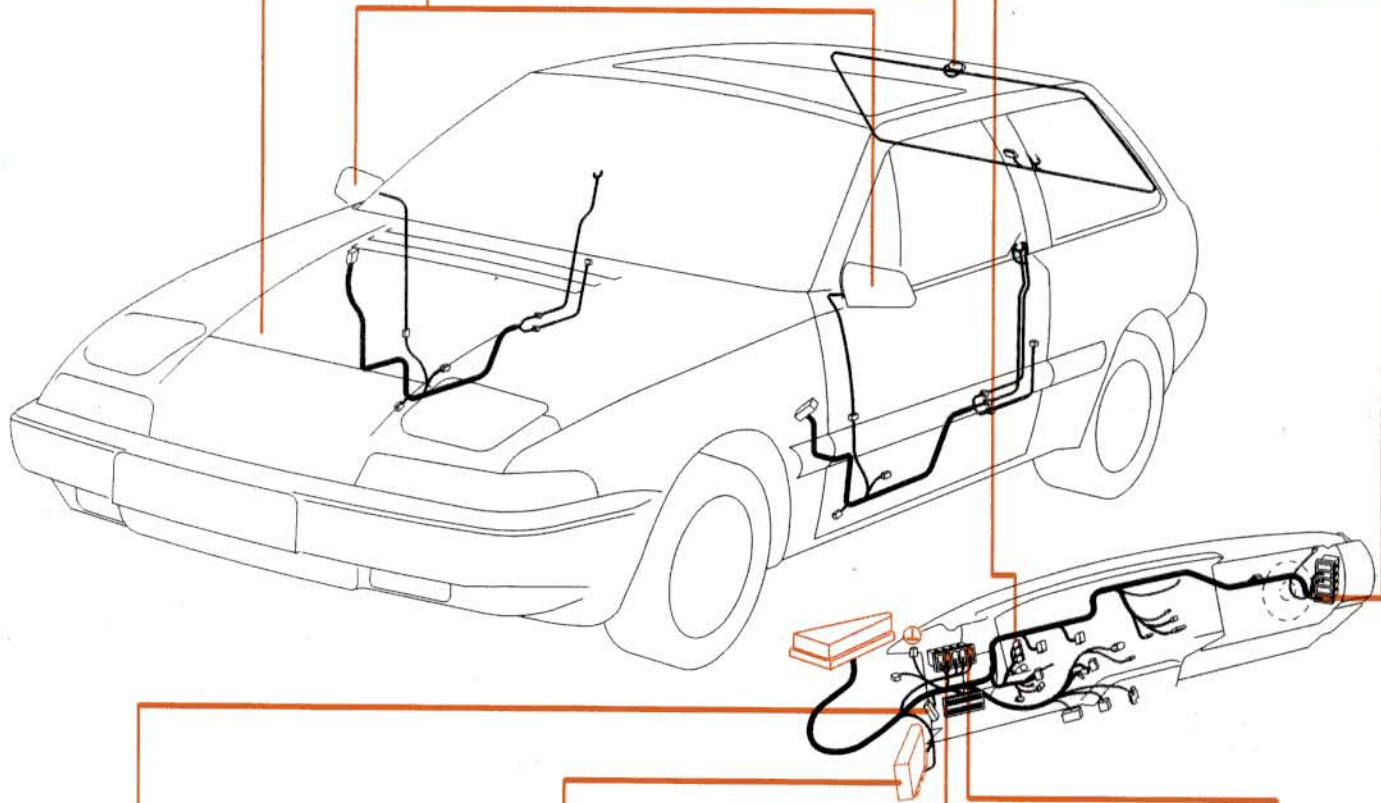
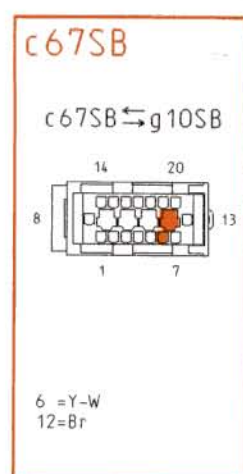
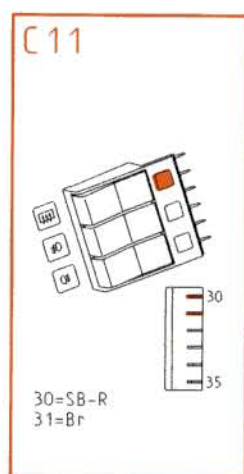
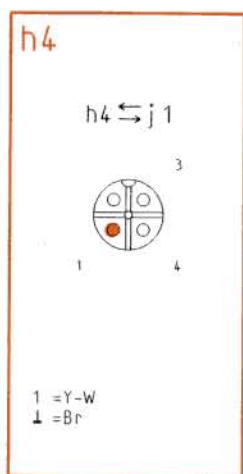
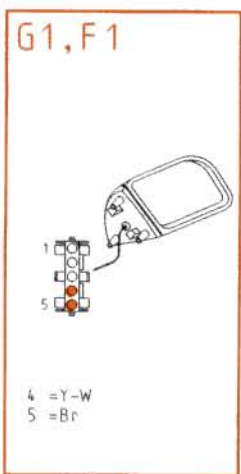
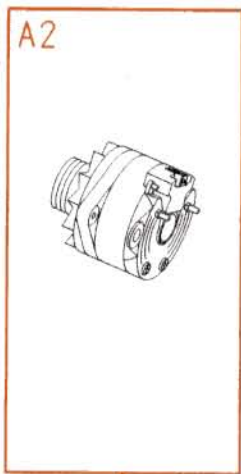
Alternator in operation. Switch pushed in < 2 seconds.
Heating elements energized for 12 minutes

Alternator in operation. Heating energized continuously
(until engine is switched off)



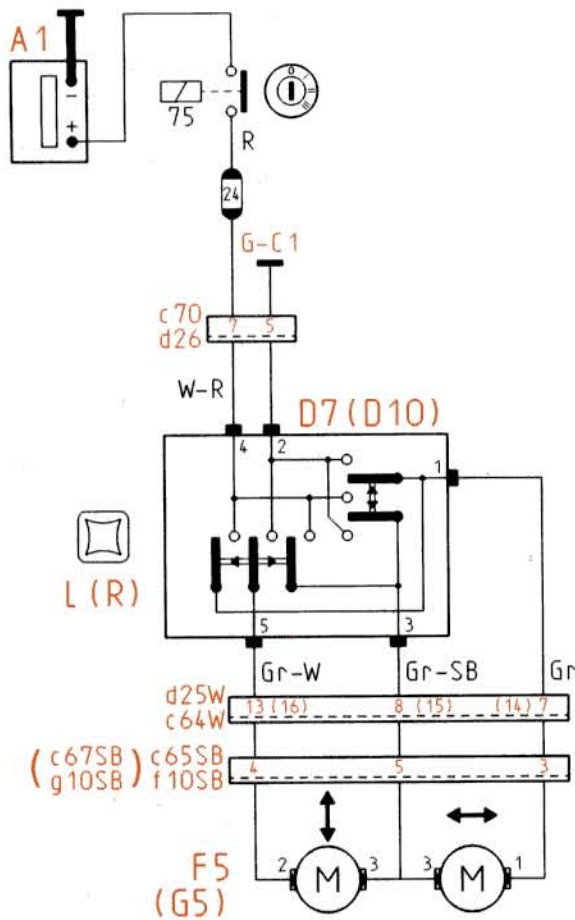
0-008/053

Rear window and door mirror heating



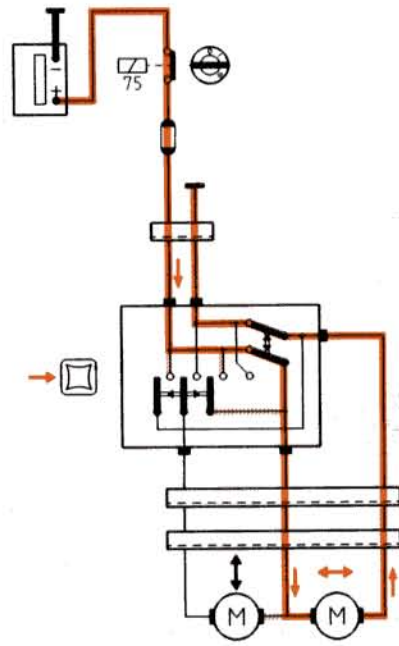
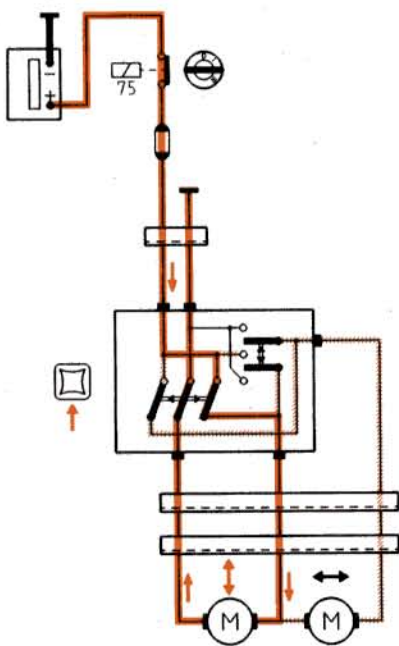
Electrically operated remote control door mirrors

- D7 Door mirror, driver's side (L)
- D10 Door mirror, passenger's side (R)
- F5 Motors, door mirror, driver's side
- G5 Motors, door mirror, passenger's side
- G-C1 Earth on LH A-pillar



Vertical adjustment

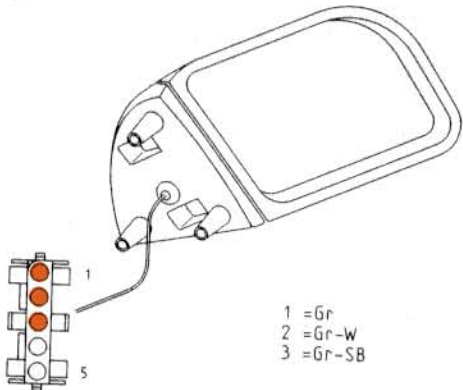
Horizontal adjustment



0-008/054

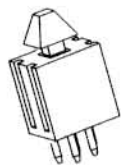
Electrically operated remote control door mirrors

G5



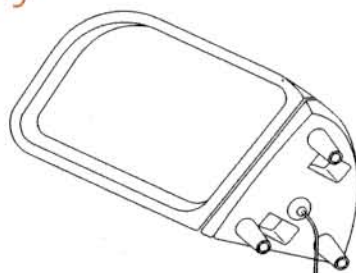
- 1 = Gr
- 2 = Gr-W
- 3 = Gr-SB

D7, D10

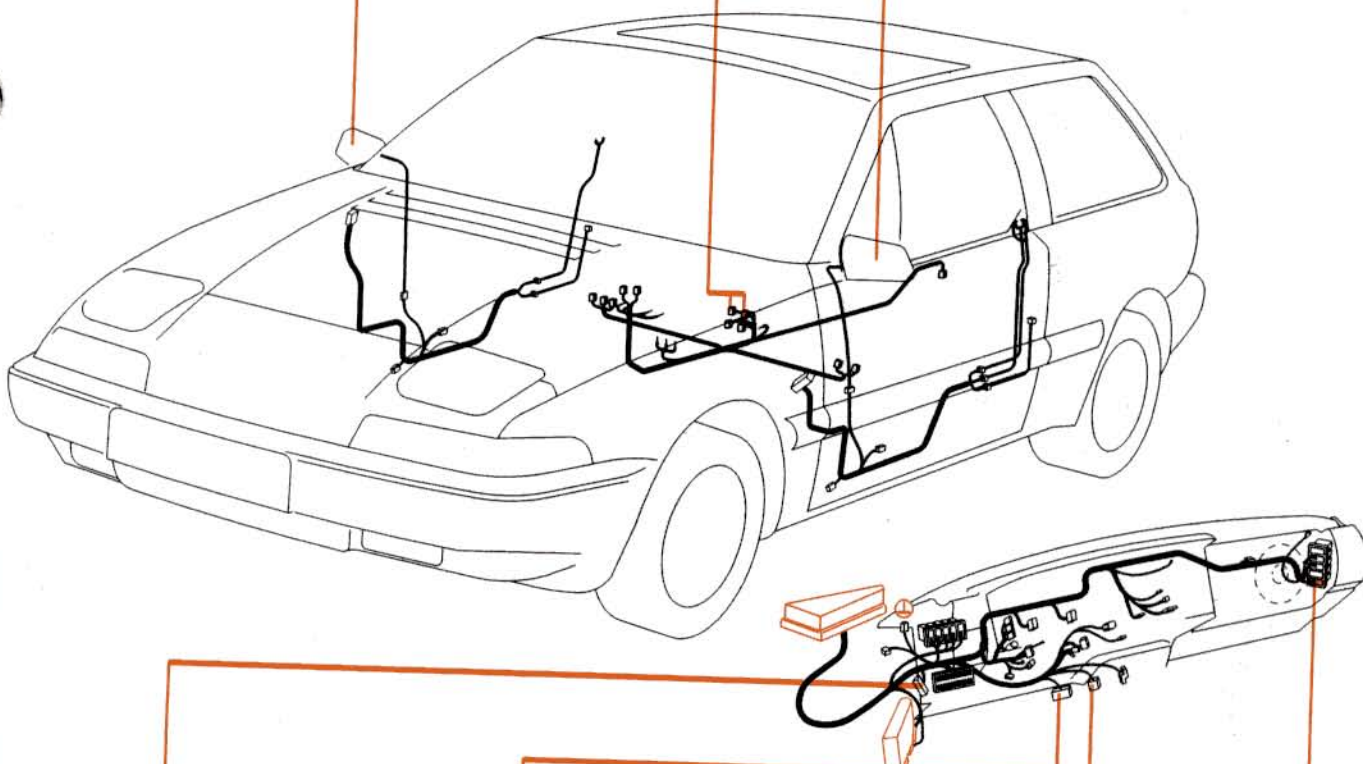


- 1 = Gr
- 2 = Br
- 3 = Gr-SB
- 4 = W-R
- 5 = Gr-W

F5

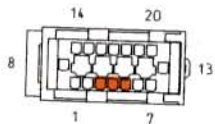


- 1 = Gr
- 2 = Gr-W
- 3 = Gr-SB



c65SB

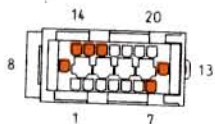
c65SB ↔ f10SB



- 3 = Gr
- 4 = Gr-W
- 5 = Gr-SB

c64W

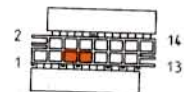
c64W ↔ d25W



- 7 = Gr
- 8 = Gr-SB
- 13 = Gr-W
- 14 = Gr
- 15 = Gr-SB
- 16 = Gr-W

c70

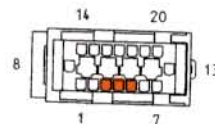
c70 ↔ d26



- 5 = Br
- 7 = W-R

c67SB

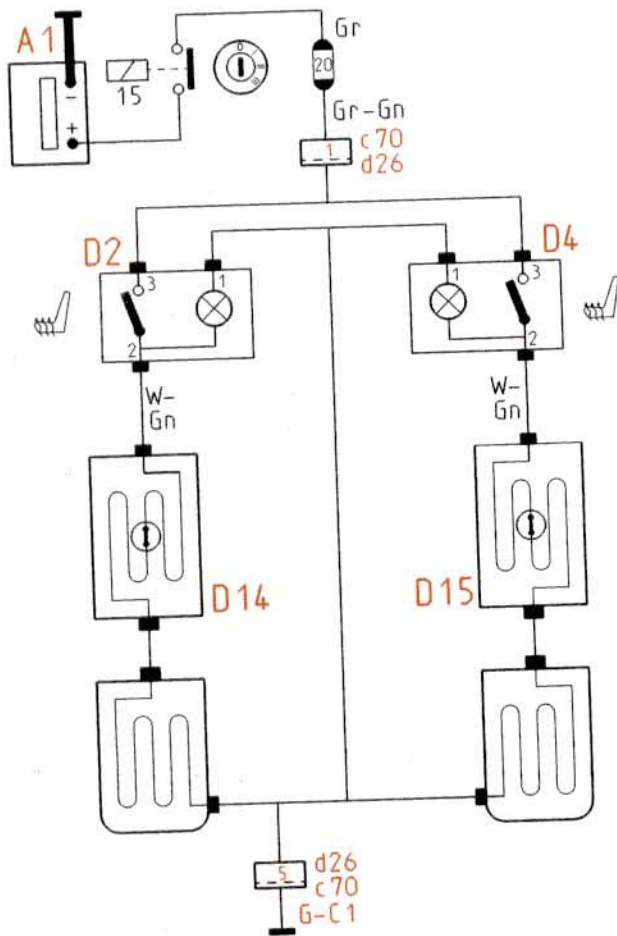
c67SB ↔ g10SB



- 3 = Gr
- 4 = Gr-W
- 5 = Gr-SB

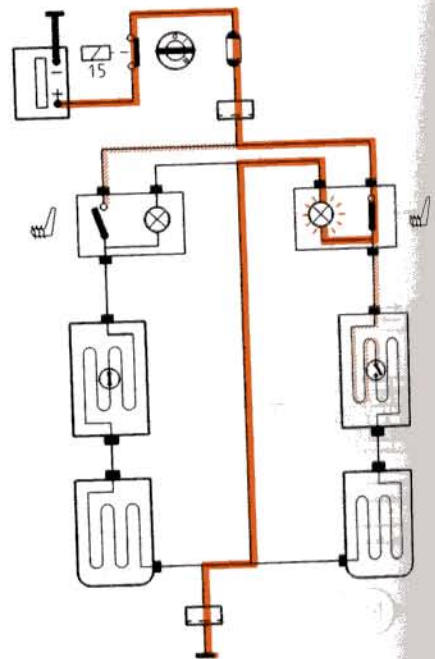
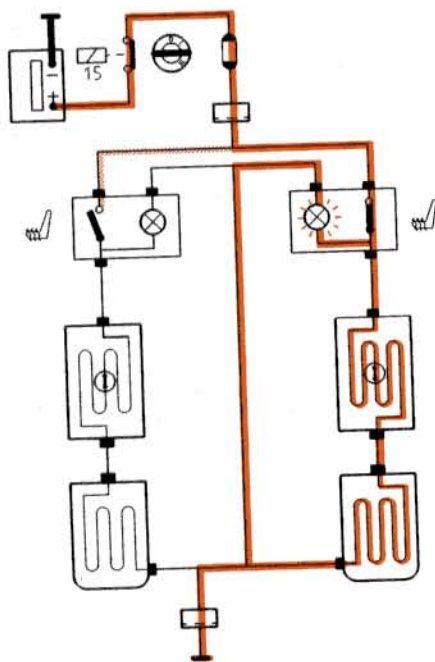
Heated front seats

- D2 Switch, seat heating, driver
- D4 Switch, seat heating, passenger
- D14 Seat heating element and thermostat (L)
- D15 Seat heating element and thermostat (R)
- G-C1 Earth on LH A-pillar



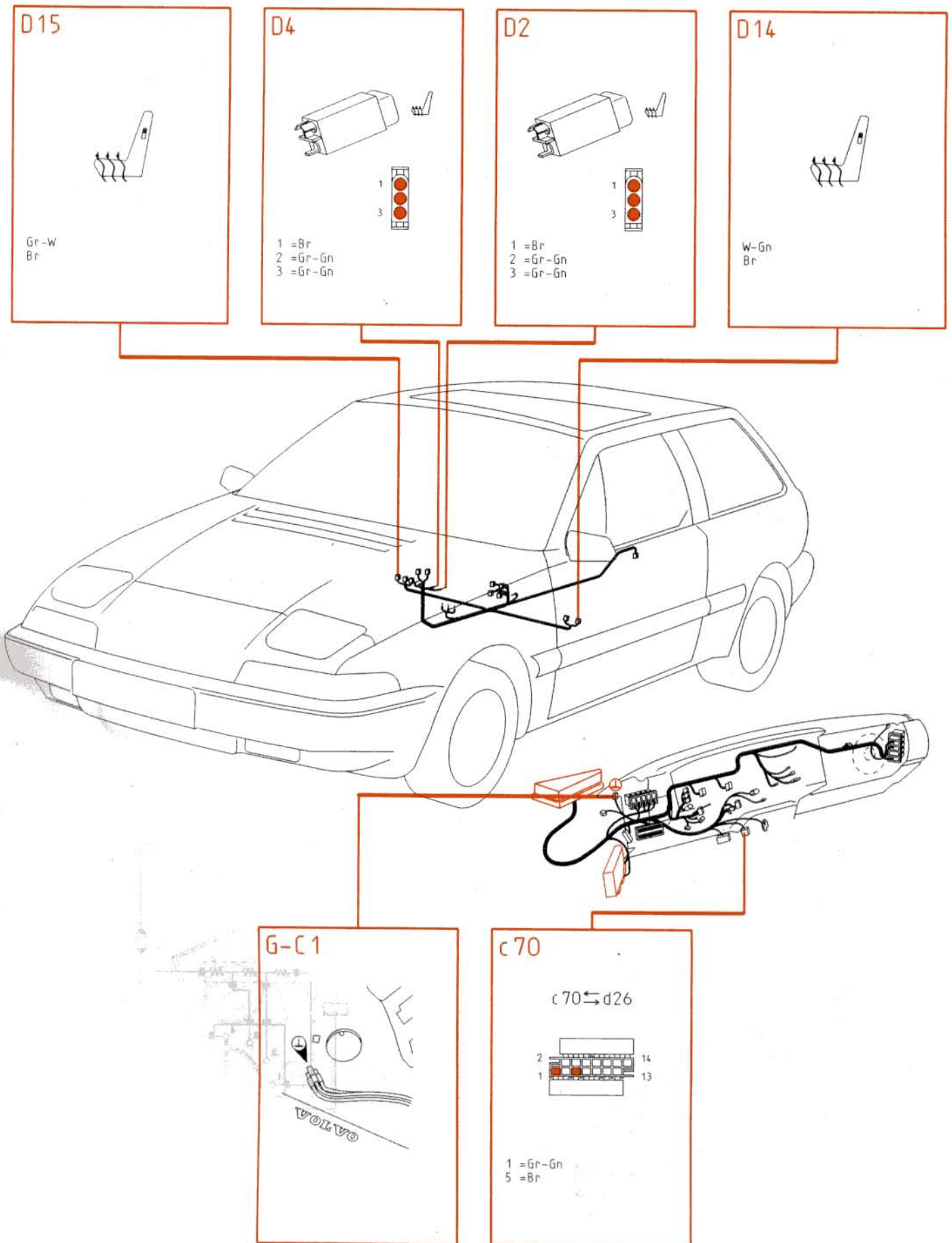
Ignition on, seat cushion temperature below 14 °C, heating on

Ignition on, seat cushion temperature above 27 °C, heating off



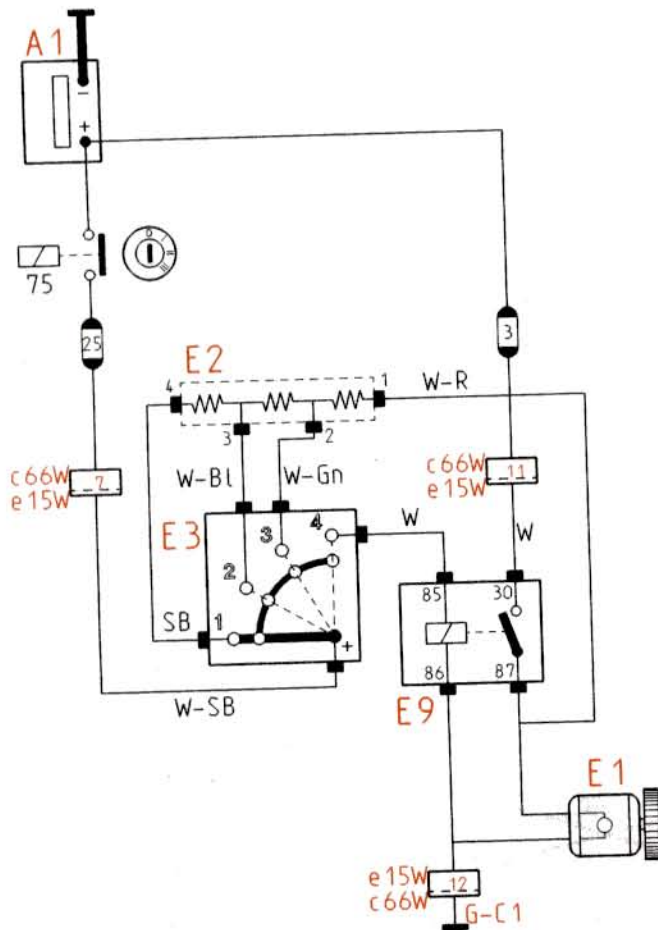
0-008/052

Heated front seats



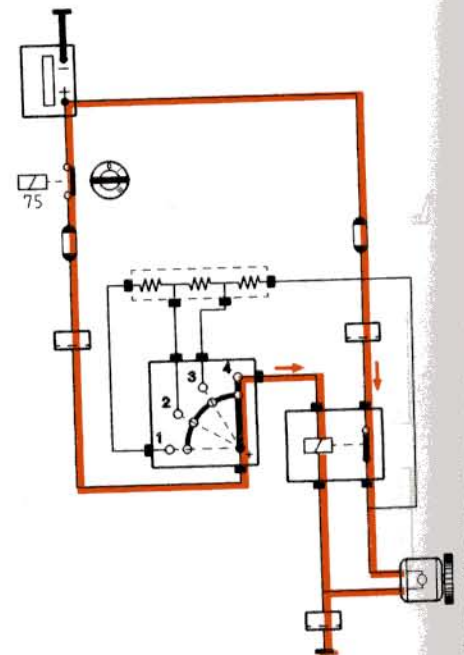
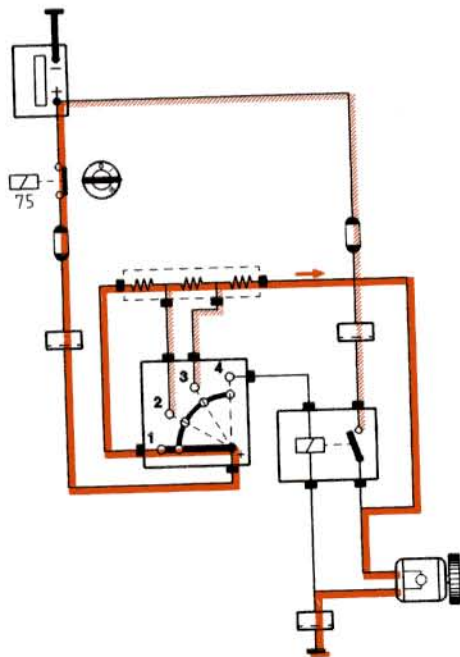
Heating, without VM

- E1 Blower motor, heater fan
- E2 Series resistors, heater fan
- E3 Switch, heater fan
- E9 Relay, heater blower, position 4
- G-C1 Earth on LH A-pillar



Position 1, lowest speed

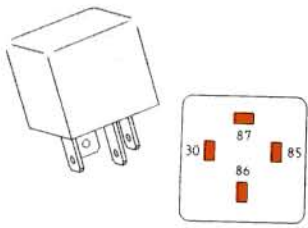
Position 4, highest speed



0-008/066

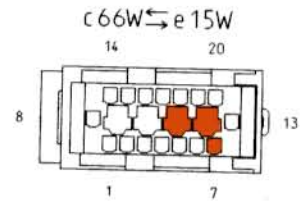
Heating, without VM

E9

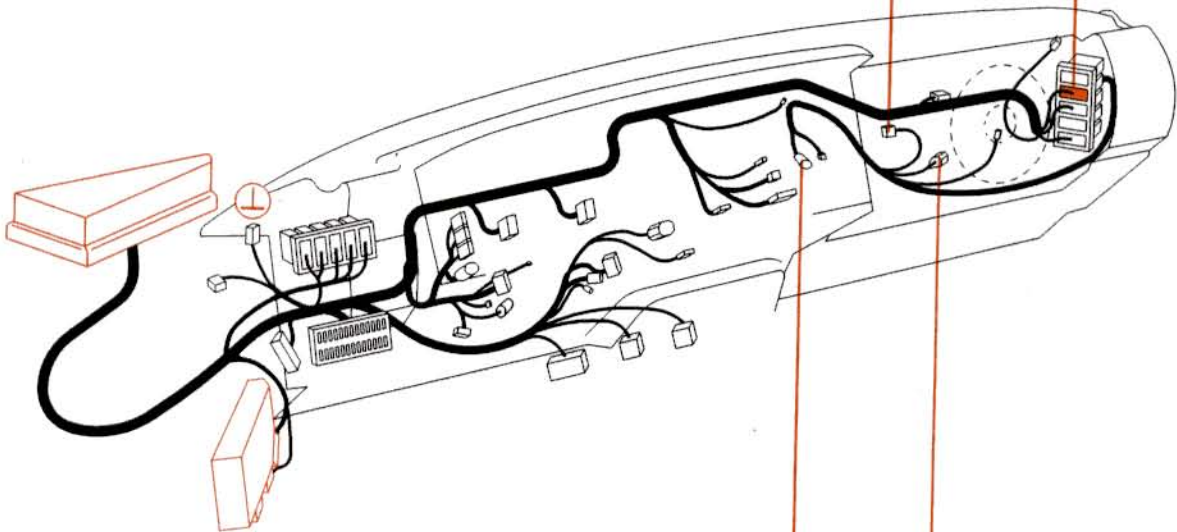


30=W
85=W
86=Br
87=W-R

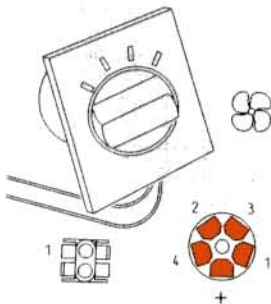
c66W



7 =W-SB
11=W
12=Br

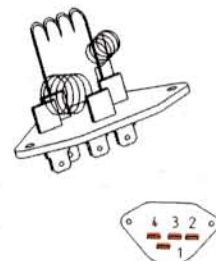


E3



1 =SB
2 =W-BI
3 =W-Gn
4 =W
+ =W-SB

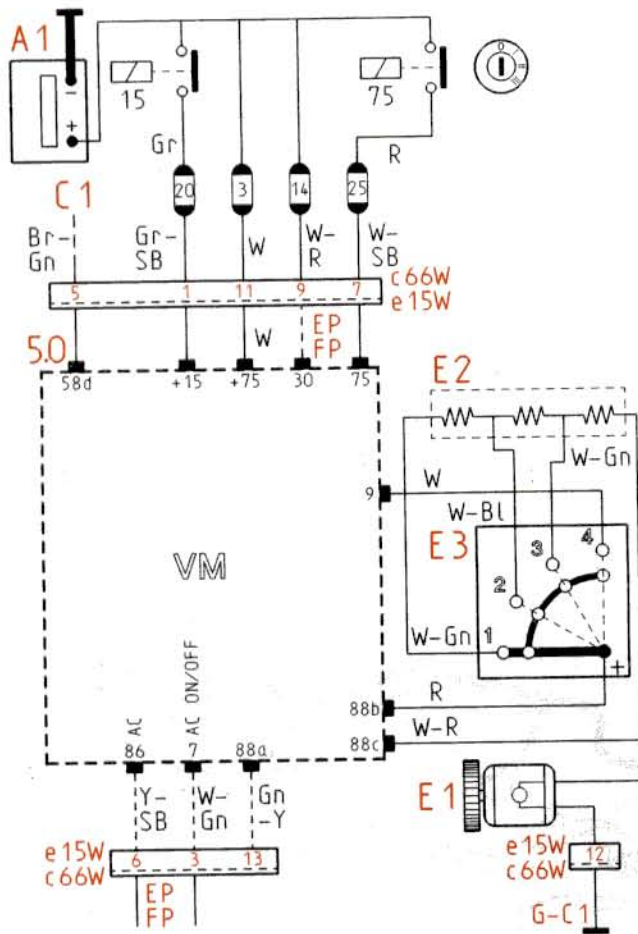
E2



1 =W-R
2 =W-Gn
3 =W-BI
4 =SB

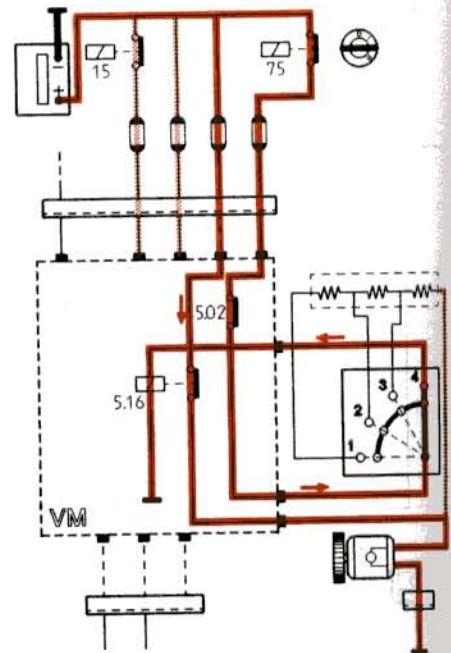
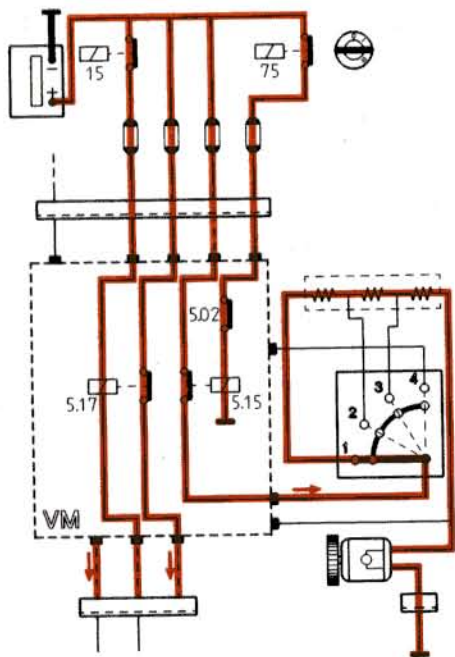
Heating, with VM (for air-conditioning)

- 5.0 Ventilation and heating module (VM)
- 5.02 ON/OFF switch
- 5.15 ON/OFF relay, VM
- C1 Rheostat, dashboard lighting
- E1 Blower motor, heater fan
- E2 Series resistors, heater fan
- E3 Switch, heater fan
- G-C1 Earth on LH A-pillar



Air-conditioning, fan **always** runs at lowest speed

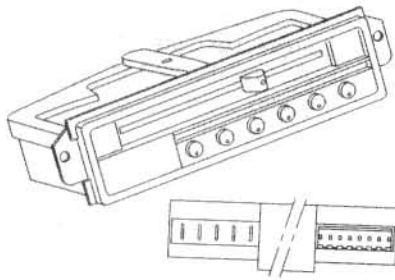
Ignition on, position 4, fan runs at highest speed



0-008/055

Heating, with VM (for air-conditioning)

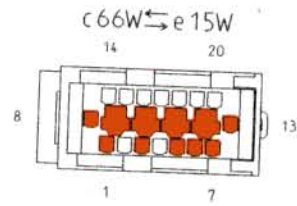
5.0



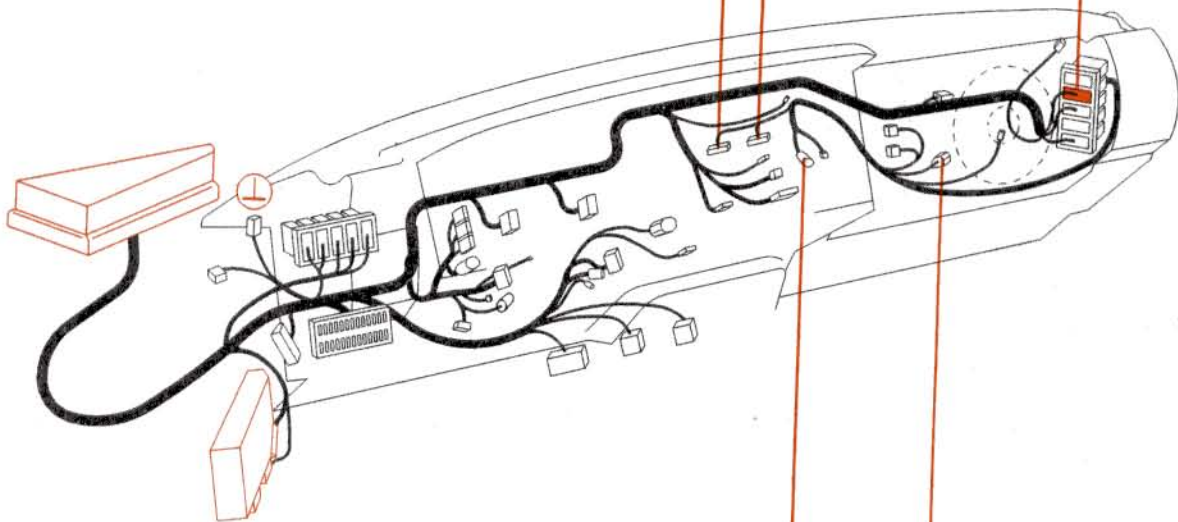
- 1 (88b) = R
- 2 (30) = W-R
- 3 (75) = W-SB
- 4 (88c) = W-R
- 5 (88a) = Gn-Y

- 1 (58d) = Br-Gr
- 2 (15) = Gr-SB
- 3 (75) = W-SB
- 4 (7) = W-Gn
- 5 (86) = Y-SB
- 6 (9) = W
- 7 (-) = -
- 8 (31) = Br

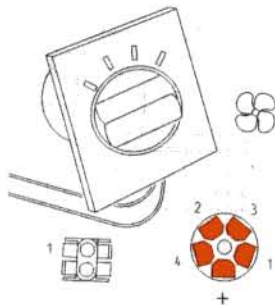
c66W



- 1 = Gr-SB
- 3 = W-Gn
- 5 = Br-Gr
- 6 = Y-SB
- 7 = W-SB
- 8 = Or
- 9 = W-R
- 10 = W-SB
- 11 = W-SB
- 12 = Br
- 13 = Gn-Y

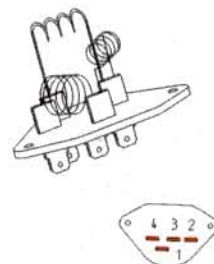


E3



- 1 = W-Gn
- 2 = W-Bl
- 3 = W
- 4 = W
- + = R

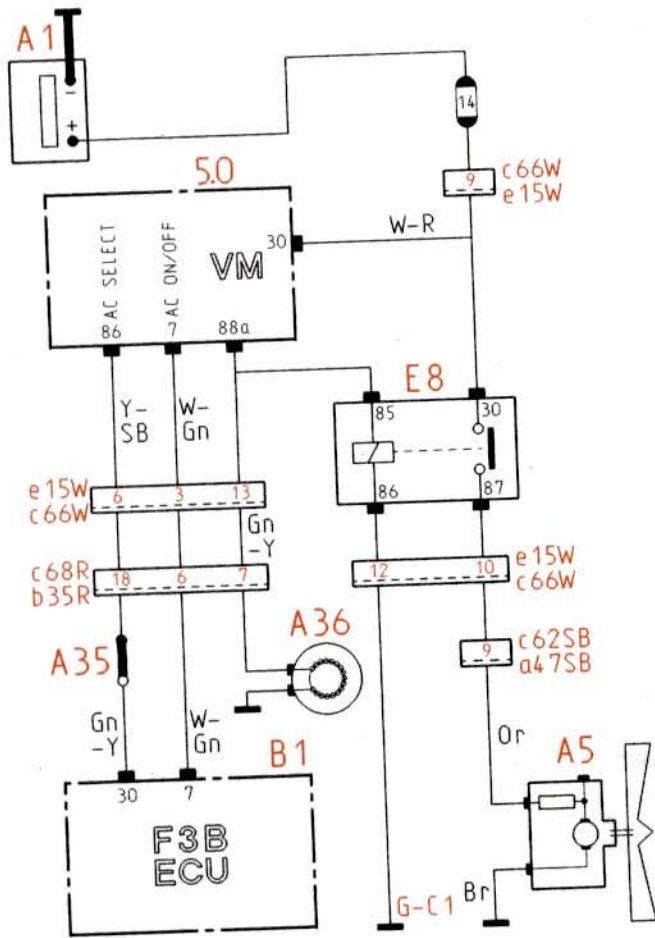
E2



- 1 = W-R
- 2 = W
- 3 = W-Bl
- 4 = W-Gn

Air-conditioning, EP/FP

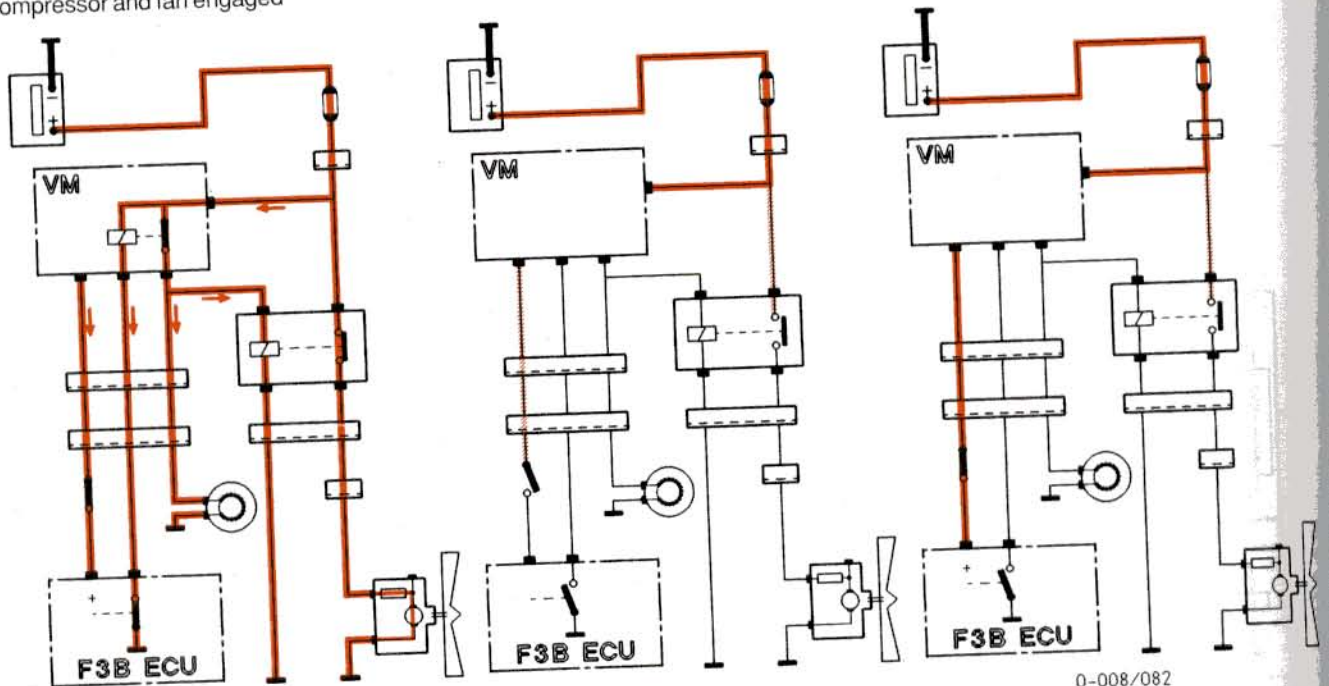
- 5.0 Ventilation and heating module (VM)
- A5 Engine cooling fan, radiator
- A35 Low pressure switch, AC
- A36 Compressor clutch, AC
- B1 ECU, fuel injection system
- E8 AC relay



Engine running, AC selected, signal from ECU to VM, engine speed adjustment, compressor and fan engaged

Pressure too low, compressor disengaged

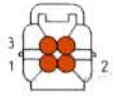
Full throttle, signal from ECU to VM is interrupted, compressor disengaged



0-008/082

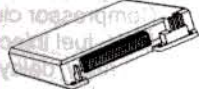
Air-conditioning, EP/FP

A35, A36



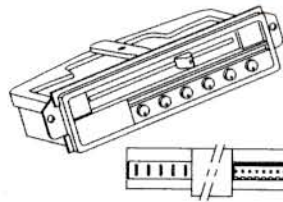
- 1 (A36) =Gn-Y
- 2 (A36) =Br
- 3 (A35) =Y-SB
- 4 (A35) =Gn-Y

B1



- 7 =W-Gn
- 30=Y-SB

5.0



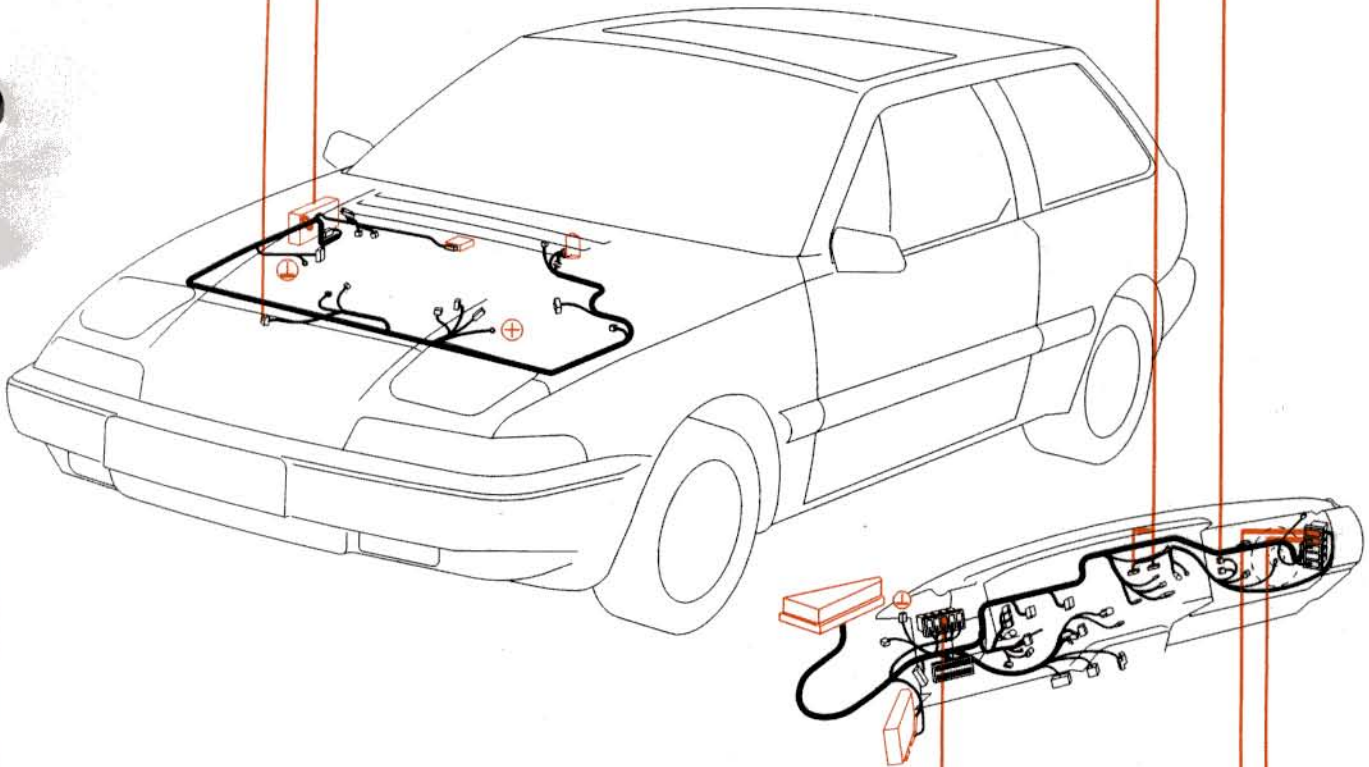
- 1 =R (88b)
- 2 =W-R (+30)
- 3 =W-SB (+75)
- 4 =W-R (88c)
- 5 =Gn-Y (88a)

- 1 =Br-Gr (58d)
- 2 =Gr-SB (+15)
- 3 =W-SB (+75)
- 4 =W-Gn (AC on/off)
- 5 =Y-SB (AC select)
- 6 =W (stand 4)
- 7 =---
- 8 =Br (31)

E8

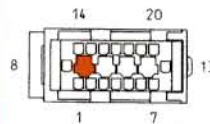


- 30=W-R
- 85=Gn-Y
- 86=Br
- 87=Or



c62SB

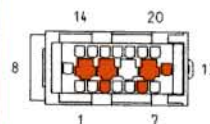
c62SB ↔ a47SB



- 9 =Or

c66W

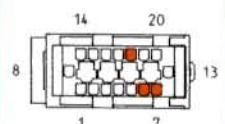
c66W ↔ e15W



- 3 =W-Gn
- 6 =Y-SB
- 9 =W-R
- 10=Or
- 12=Br
- 13=Gn-Y

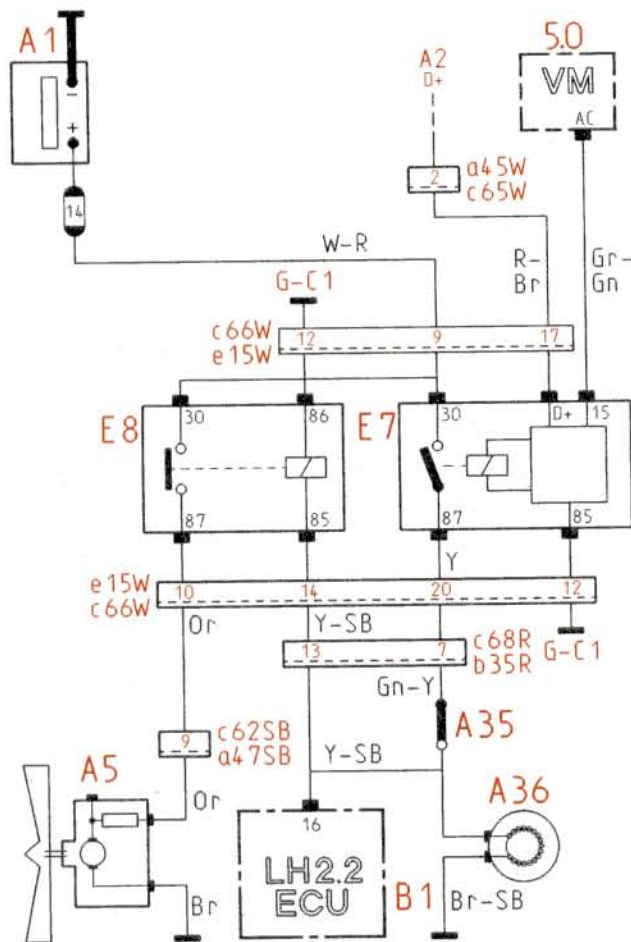
c68R

c68R ↔ b35R



- 6 =W-Gn
- 7 =Gn-Y
- 18=Y-SB

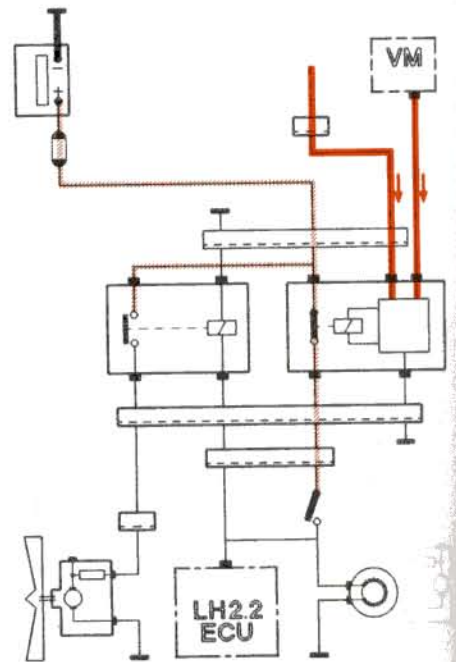
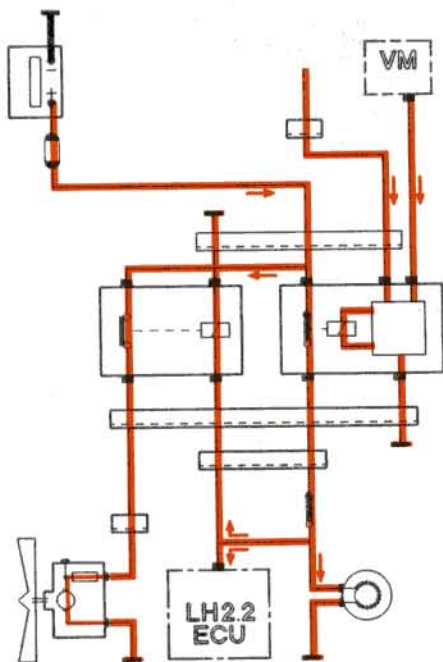
Air-conditioning, FT



- 5.0 Ventilation and heating module (VM)
- A2 Alternator
- A5 Engine cooling fan, radiator
- A35 Low pressure switch, AC
- A36 Compressor clutch, AC
- B1 ECU, fuel injection system
- E7 AC relay, delayed compressor engagement
- E8 AC relay
- G-C1 Earth on LH A-pillar

AC on, alternator in operation, signal to ECU for engine speed adjustment

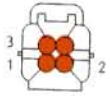
Pressure too low, compressor disengaged



0-008/067

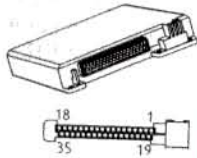
Air-conditioning, FT

A35, A36



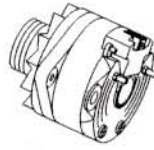
- 1 (A36) =Y-SB
- 2 (A36) =Br-SB
- 3 (A35) =Gn-Y
- 4 (A35) =Y-SB

B1



16=Y-SB

A2



R-Br

E8

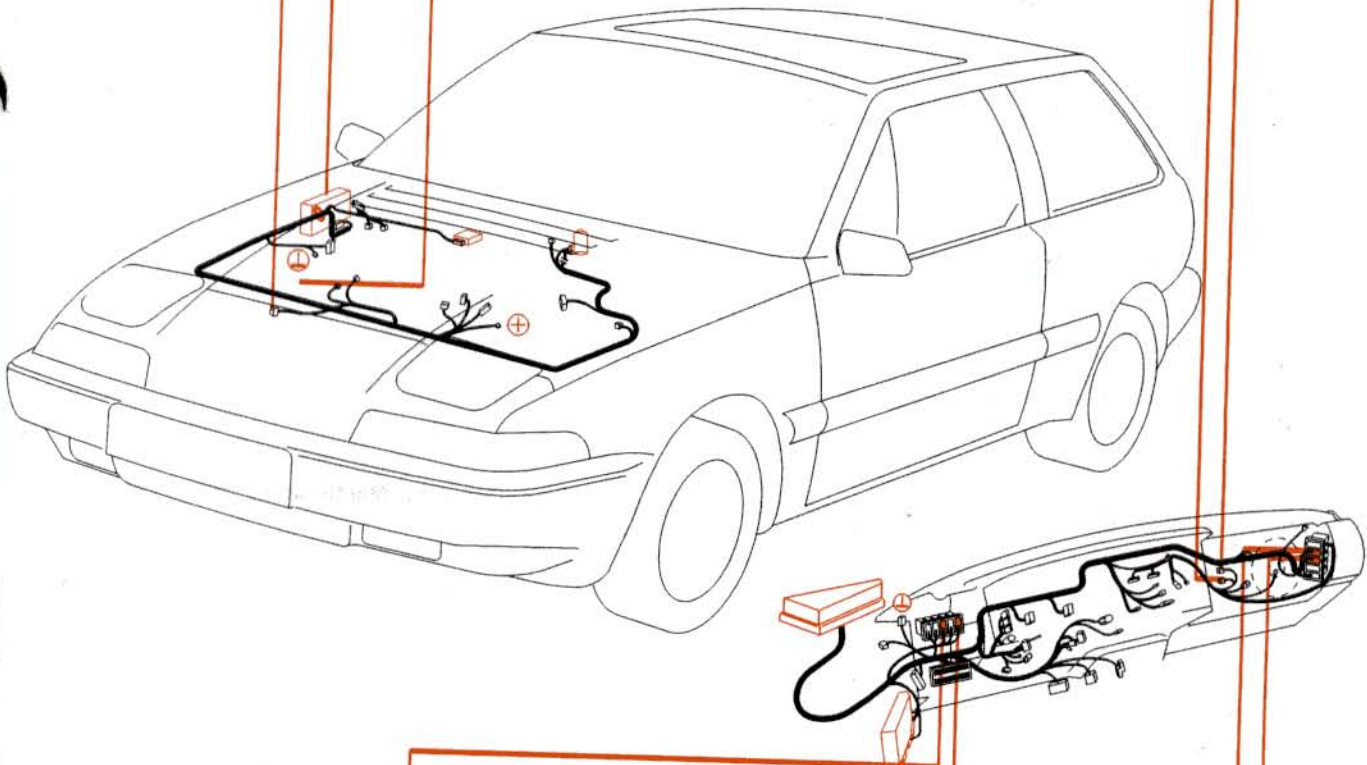


- 15=Gn-Gn
- 30=W-R
- 85=Br
- 87=Y
- D+=R-Br

E7

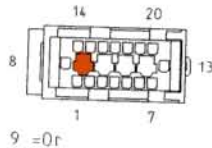


- 30=W-R
- 85=Y-SB
- 86=Br
- 87=Or



c62SB

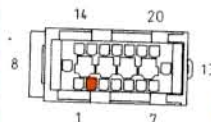
c62SB ↔ a47SB



9 =Or

c60W

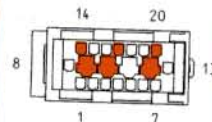
c60W ↔ a45W



2 =R-Br

c66W

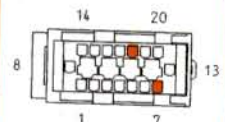
c66W ↔ e15W



- 9 =W-R
- 10=Or
- 12=Br
- 14=Y-SB
- 17=R-Br
- 20=Y

c68R

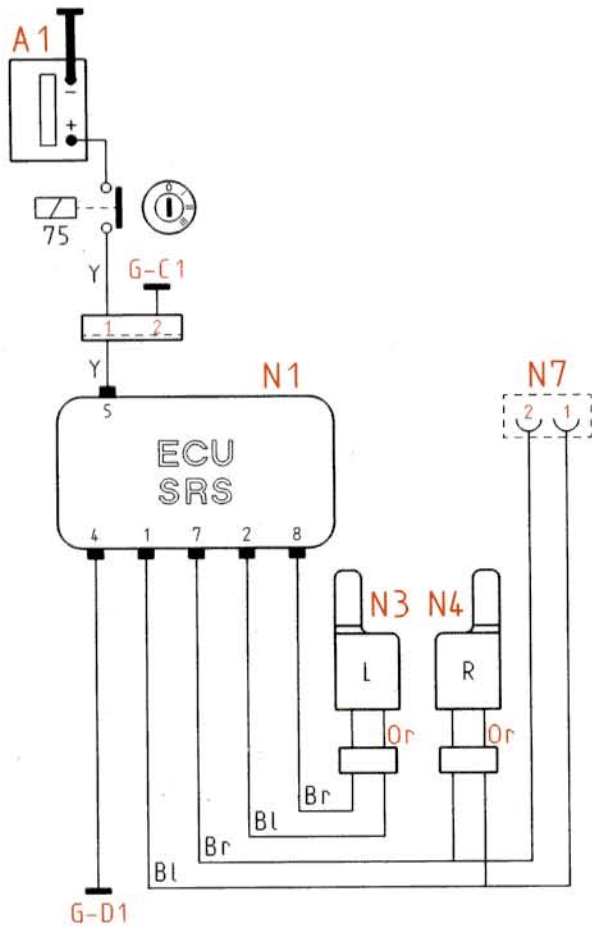
c68R ↔ b35R



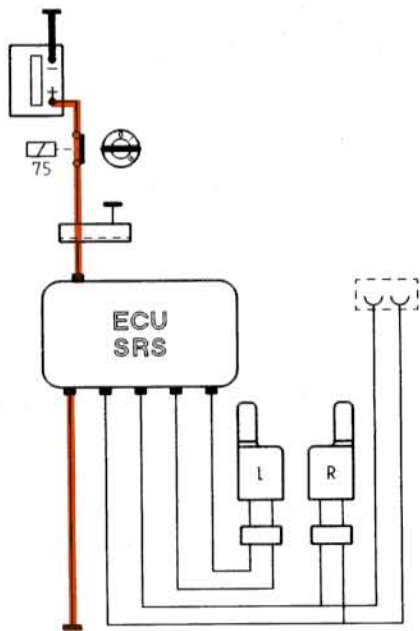
- 7 =Gn-Y
- 18=Y-SB

Seat belt pre-tensioners

- N1 ECU
- N3 Seat belt pre-tensioner, left
- N4 Seat belt pre-tensioner, right
- N7 Diagnostic test point, seat belt pre-tensioners
- G-C1 Earth on LH A-pillar
- G-D1 Earth on SRS sensor

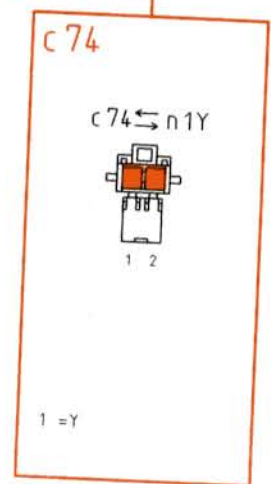
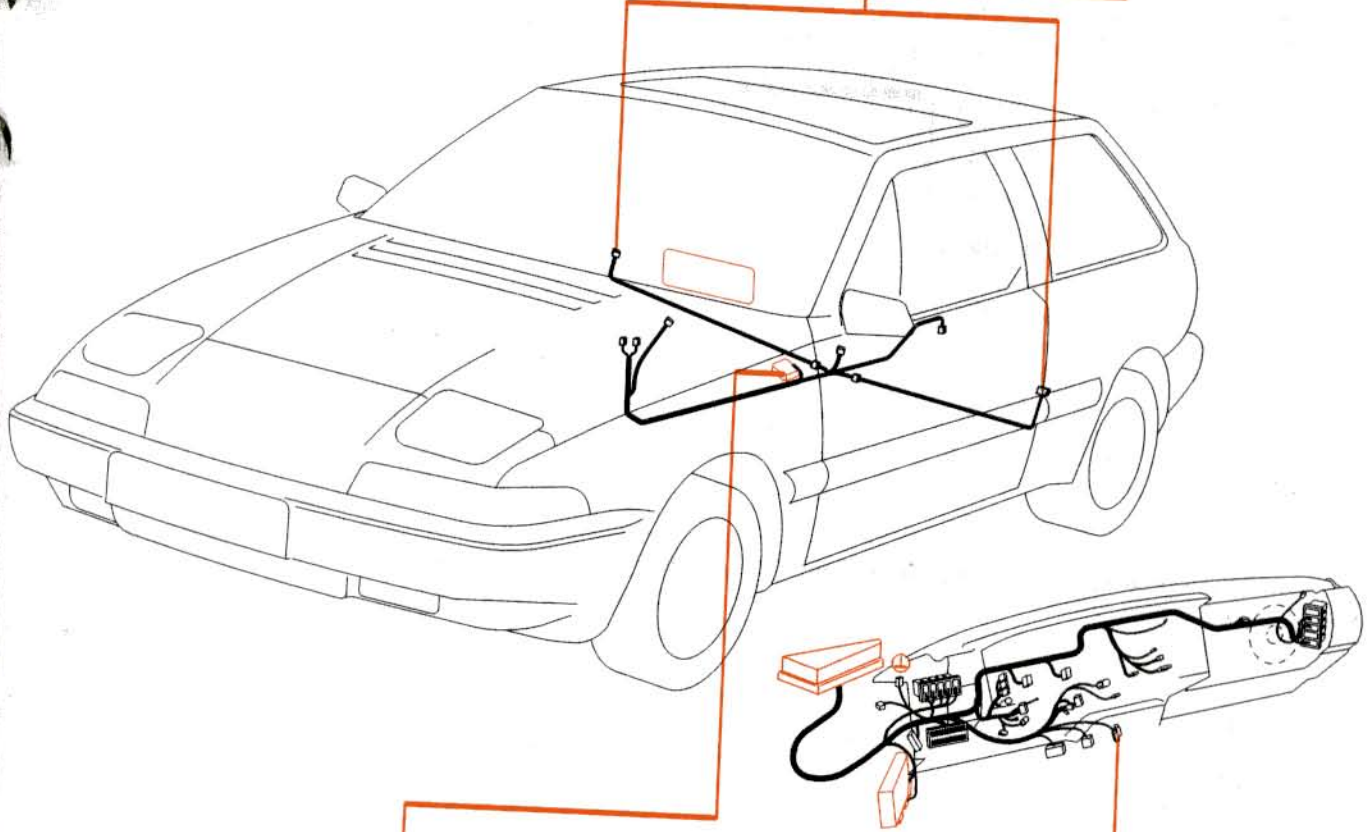
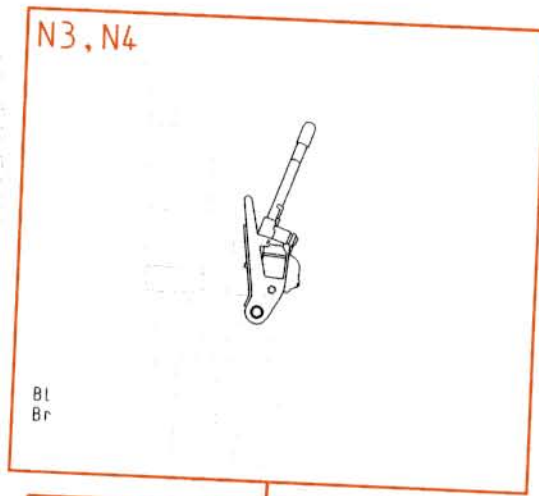


Note: never carry out any measurements or tests on this system; see the SRS Repairs & Maintenance Service Manual. SRS on 'standby'



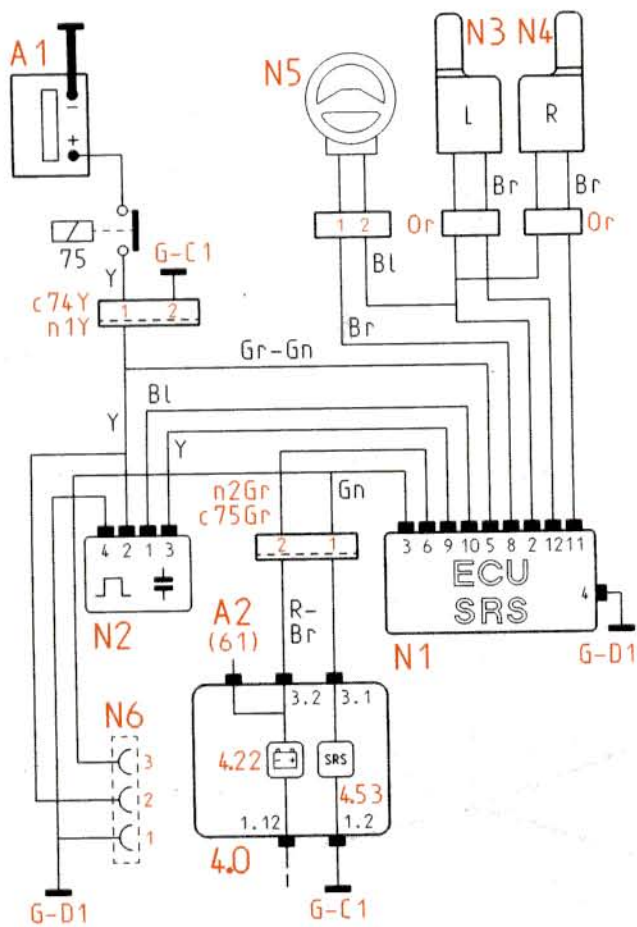
0-008/087

Seat belt pre-tensioners



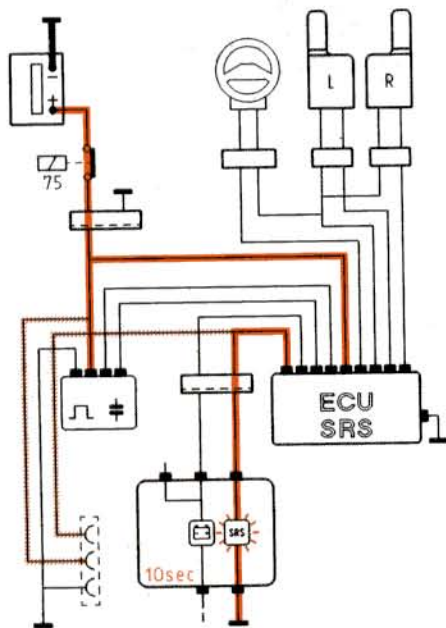
0-009/087

SRS - airbag and seat belt pre-tensioners



- 4.0 Instrument panel
- 4.22 Warning lamp, battery charge
- 4.53 SRS warning lamp
- A2 Alternator
- N1 ECU
- N2 Power supply and voltage converter
- N3 Seat belt pre-tensioner, left
- N4 Seat belt pre-tensioner, right
- N5 Steering wheel module with airbag
- N6 Diagnostic test point, airbag and seat belt pre-tensioners
- G-C1 Earth on LH A-pillar
- G-D1 Earth on SRS sensor

Note: never carry out any measurements or tests on this system; see the SRS Repairs & Maintenance Service Manual. Ignition on. Warning lamp lights up for 10 seconds



0-008/086

SRS - airbag and seat belt pre-tensioners

N3, N4

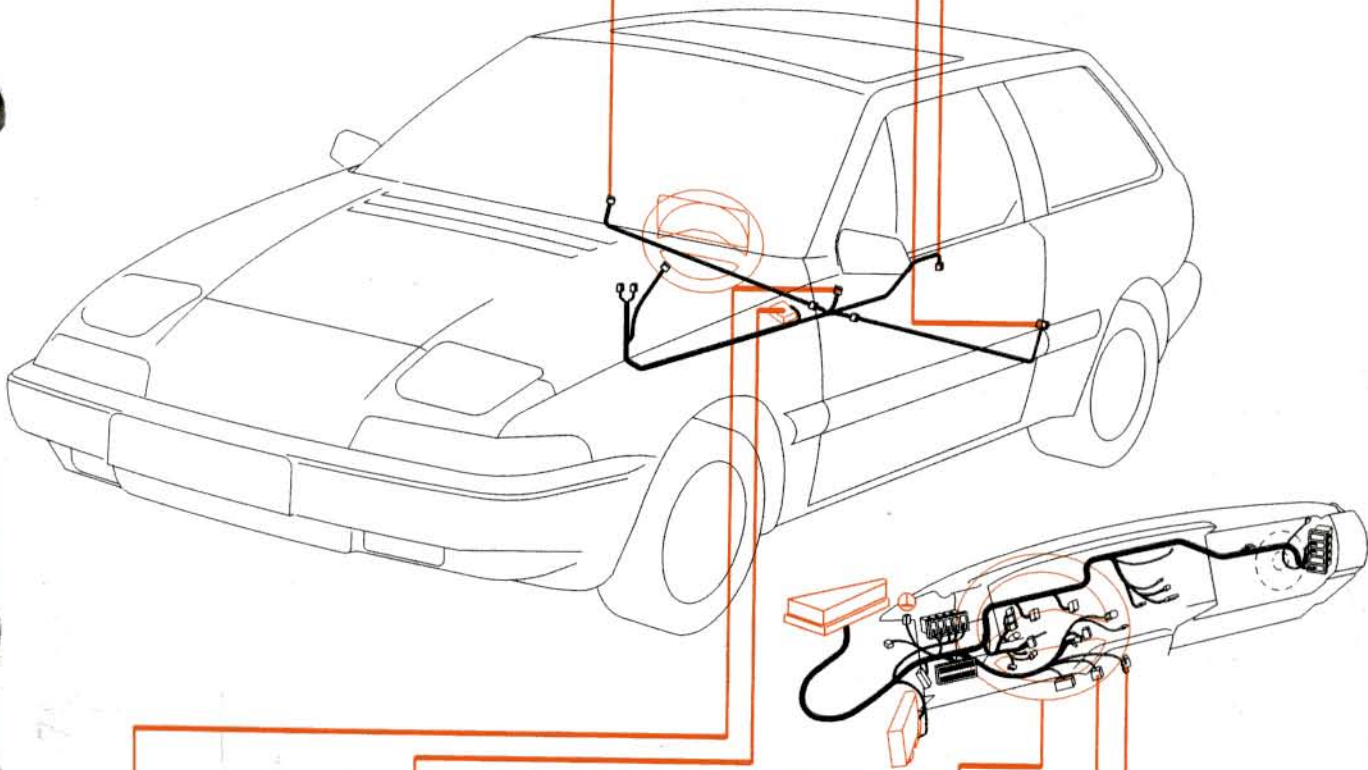


Bl
Br

N2



1 = Bl
2 = Y
3 = Y
4 = Br



N6



1 = Br
2 = Y
3 = Gn

N1



N5



Bl
Br

c75

c75 ↔ n2Gr



1 = Gn
2 = R-Br

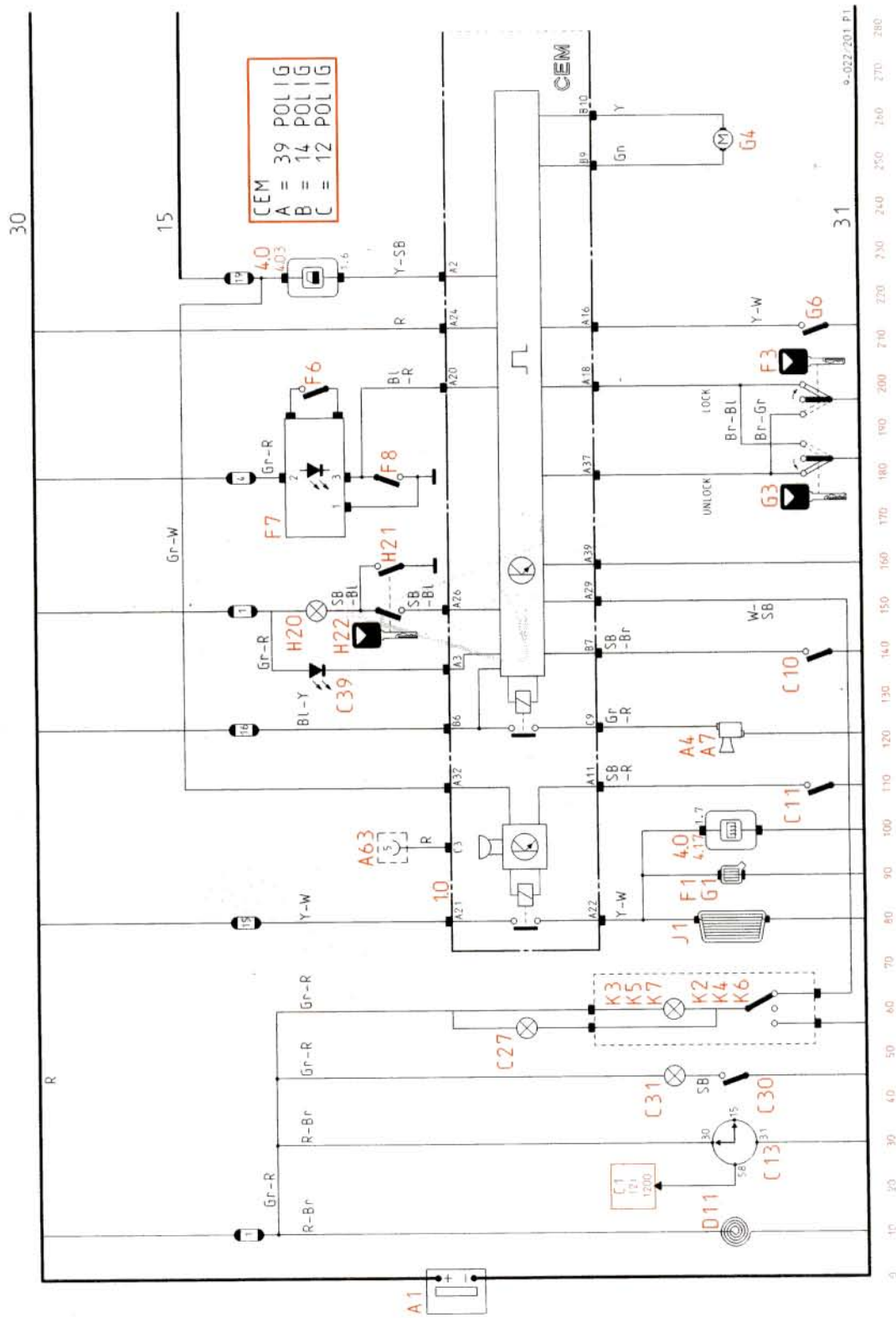
c74

c74 ↔ n1Y



1 = Y

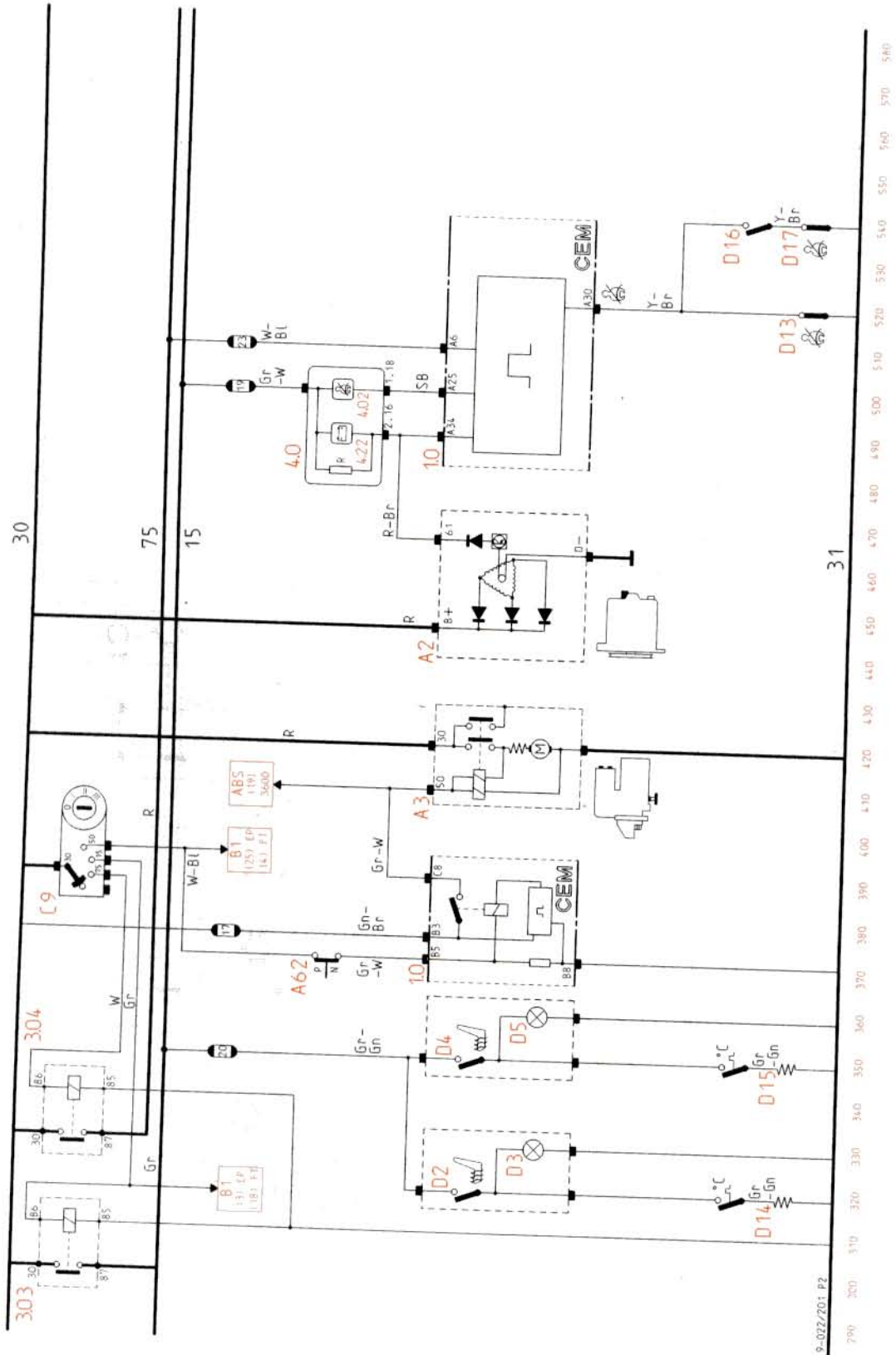
1 Interior lighting, rear window heating, horn, etc ...



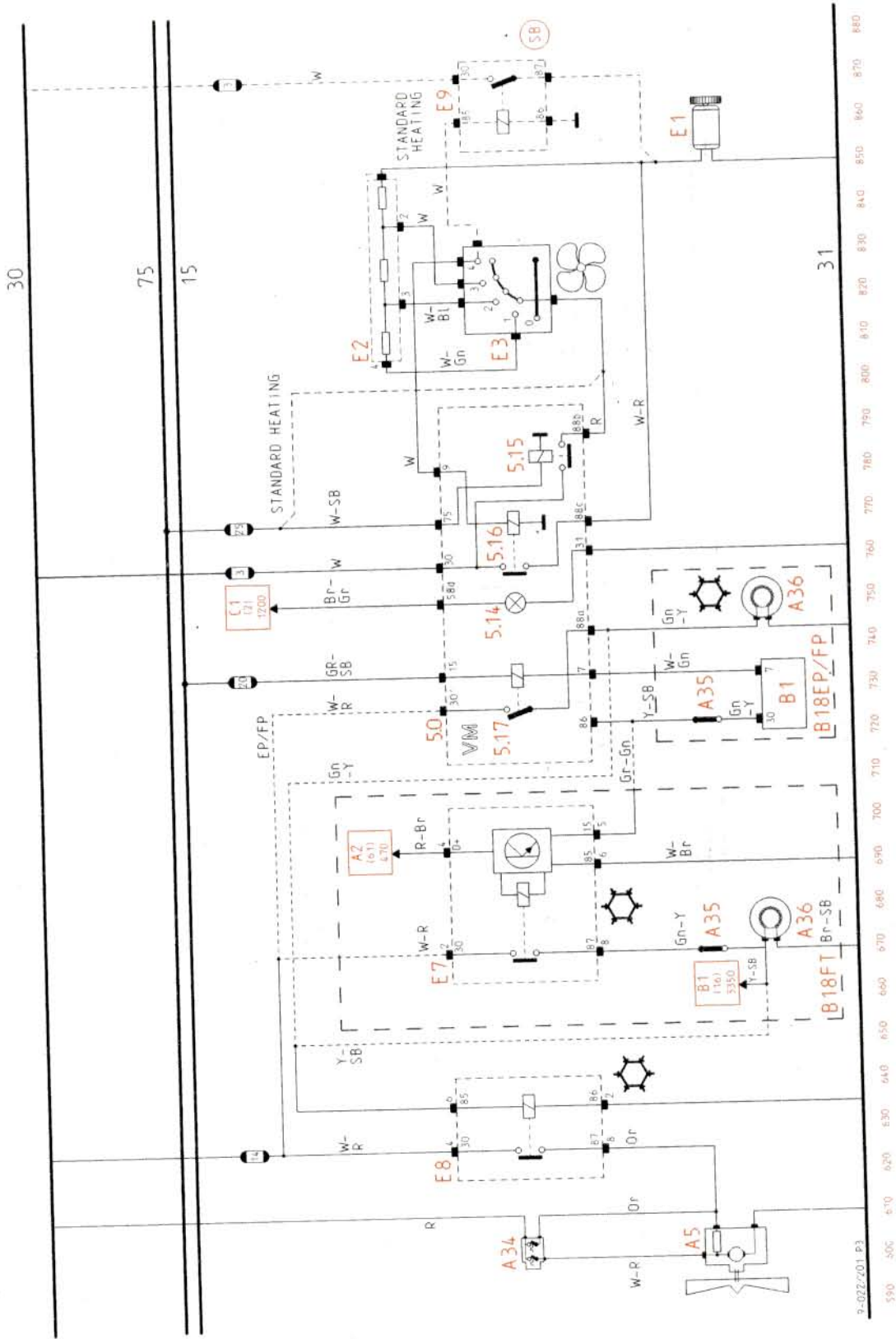
30

31

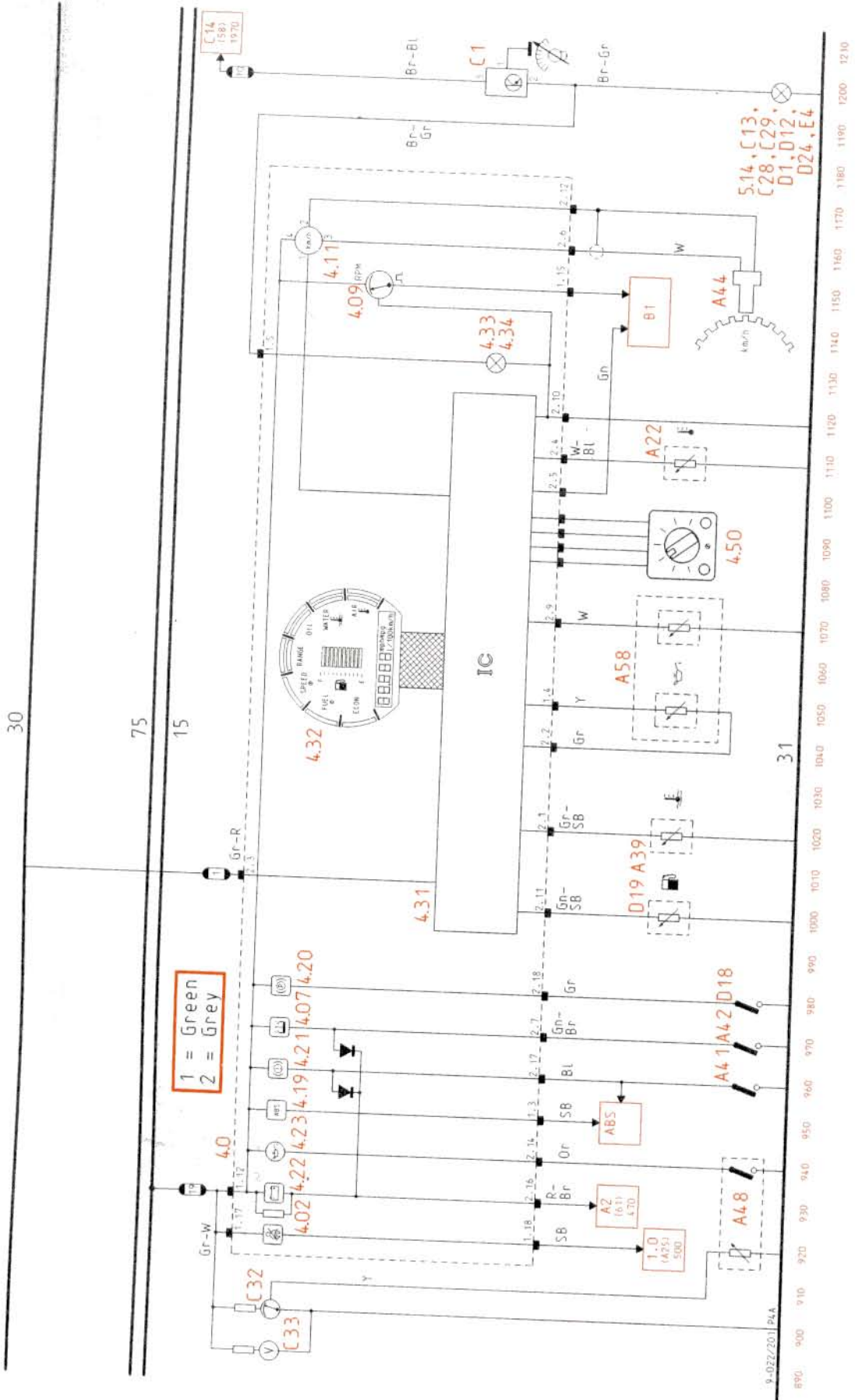
2 +15, +75, seat heating, starter motor, alternator, seat belts ...



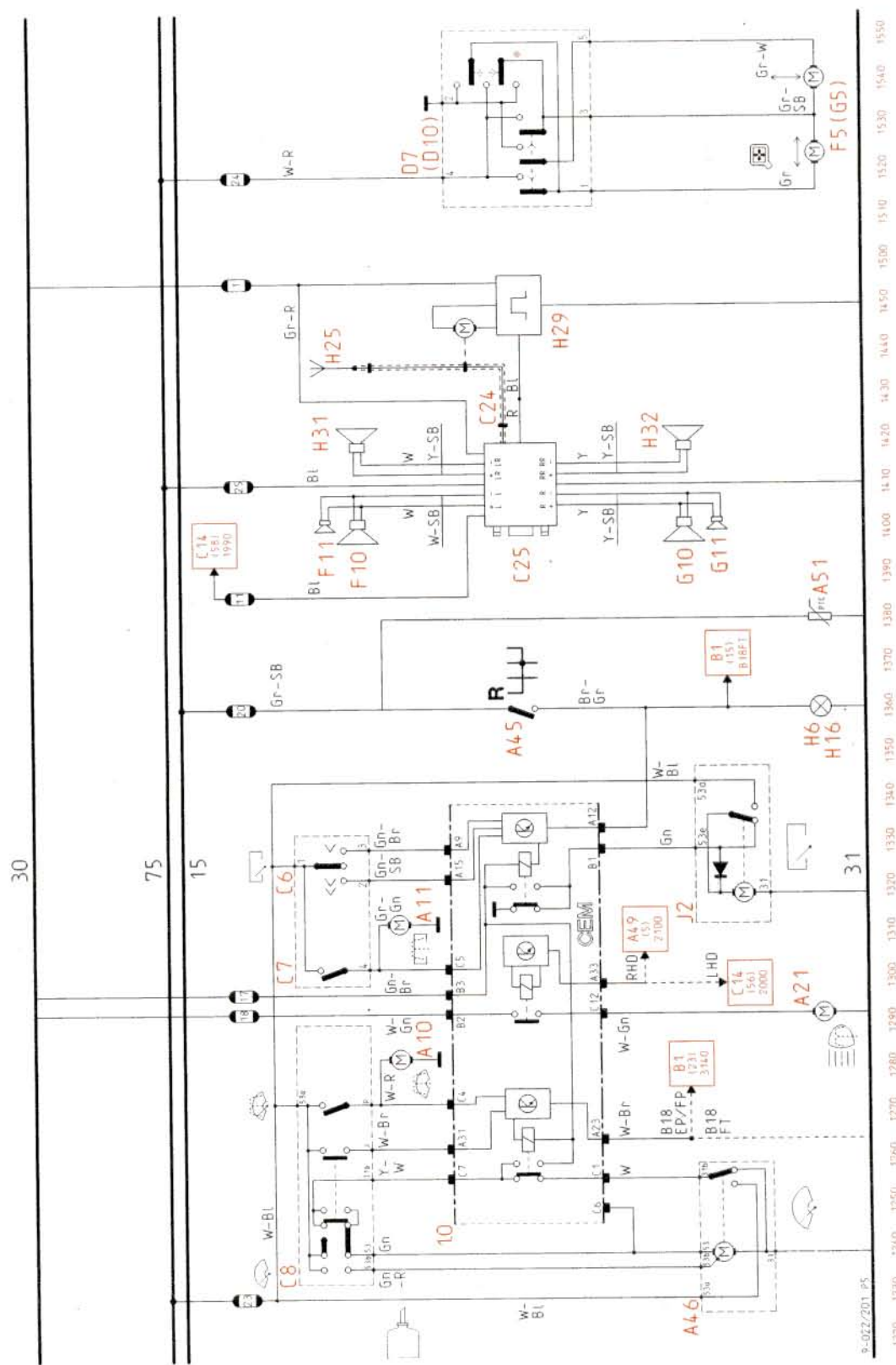
3 Heating, air-conditioning ...



4 Instrument panel, rheostat

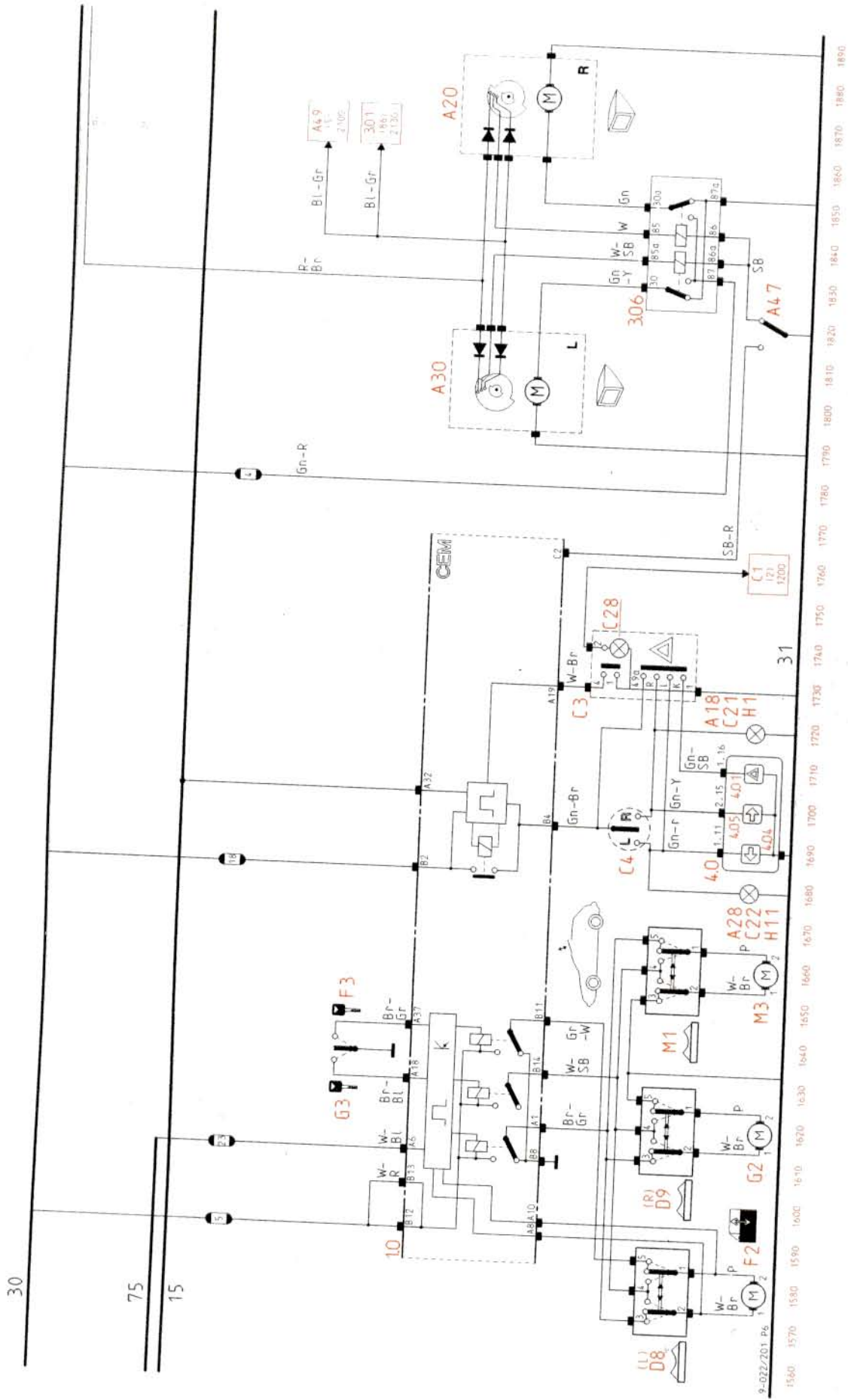


5 Windscreen wipers, reversing lights, audio equipment, door mirrors ...

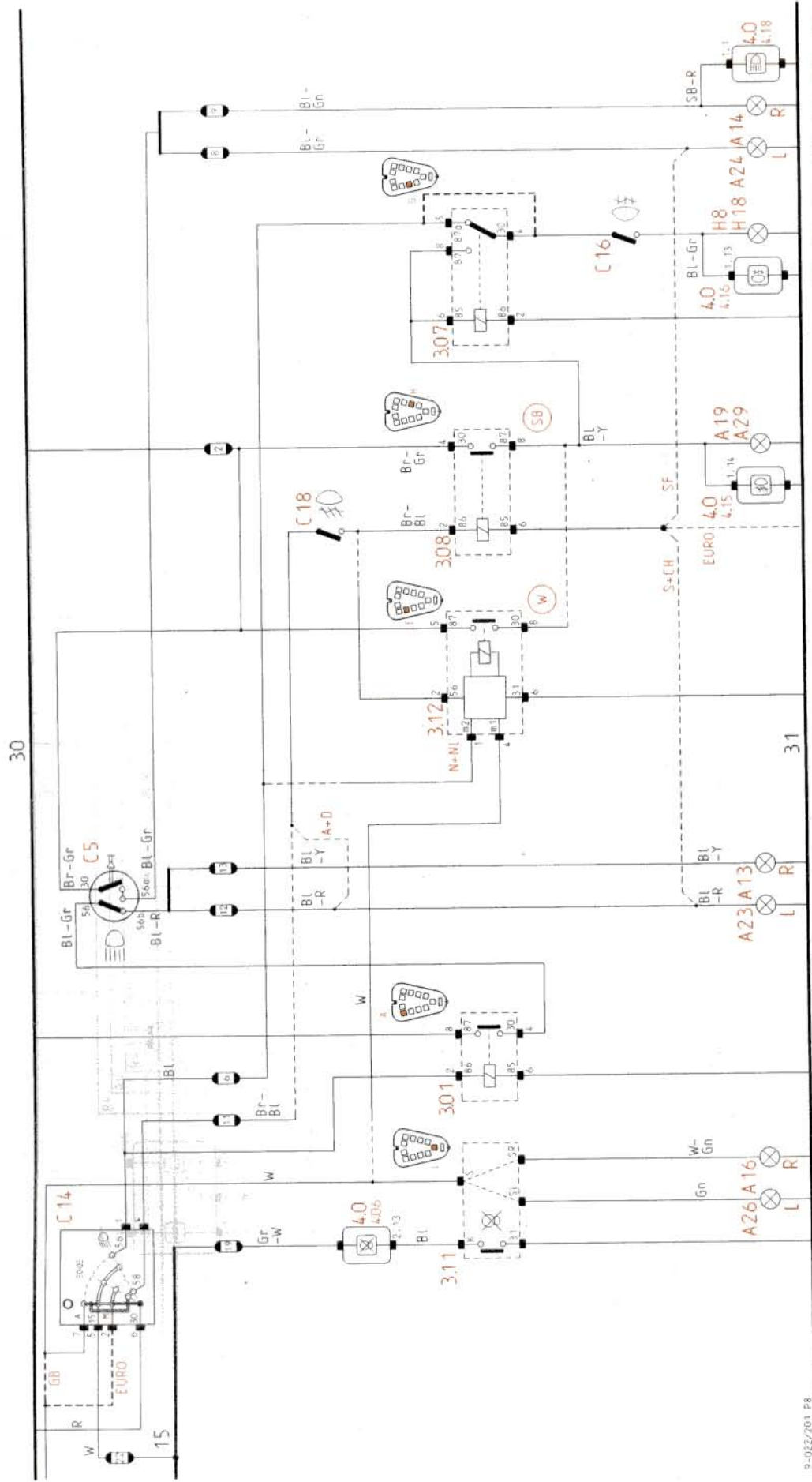


9. INSTRUMENTS D5001 140024

6 Door windows, tilting sun roof, direction indicators, headlight motors



8 Fog lights



9-022/204 P8

2270 2280 2290 2300 2310 2320 2330 2340 2350 2360 2370 2380 2390 2400 2410 2420 2430 2440 2450 2460 2470 2480 2490 2500 2510 2520 2530 2540 2550 2560 2570 2580 2590 2600 2610

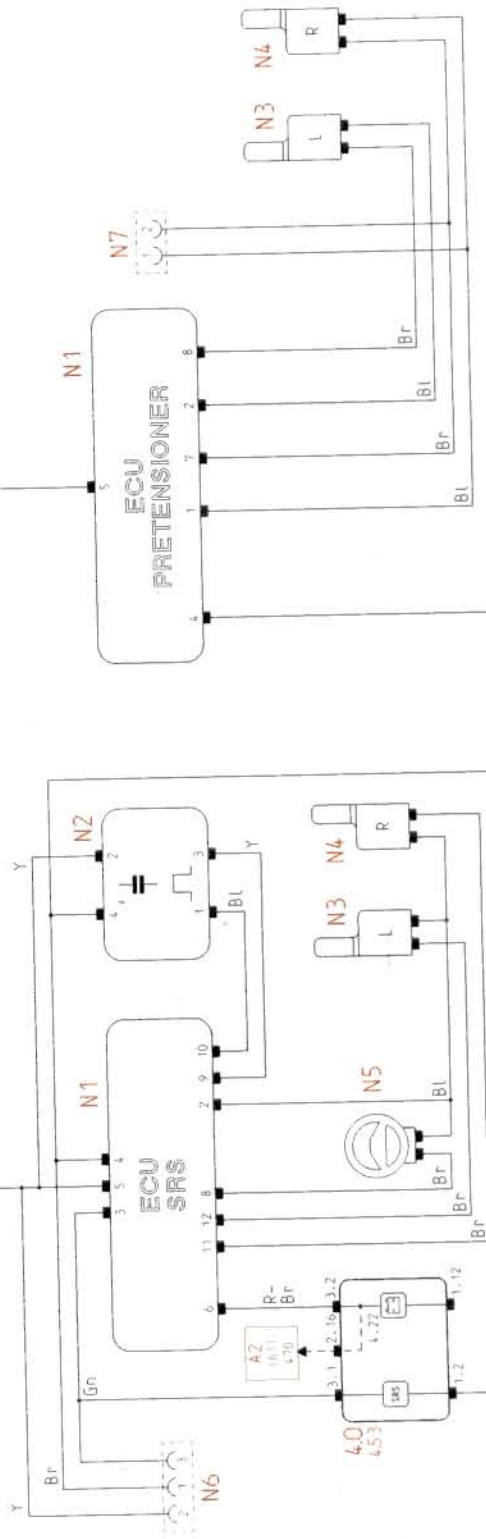
9 SRS airbag and seat belt pre-tensioners

30

75

(50)

15

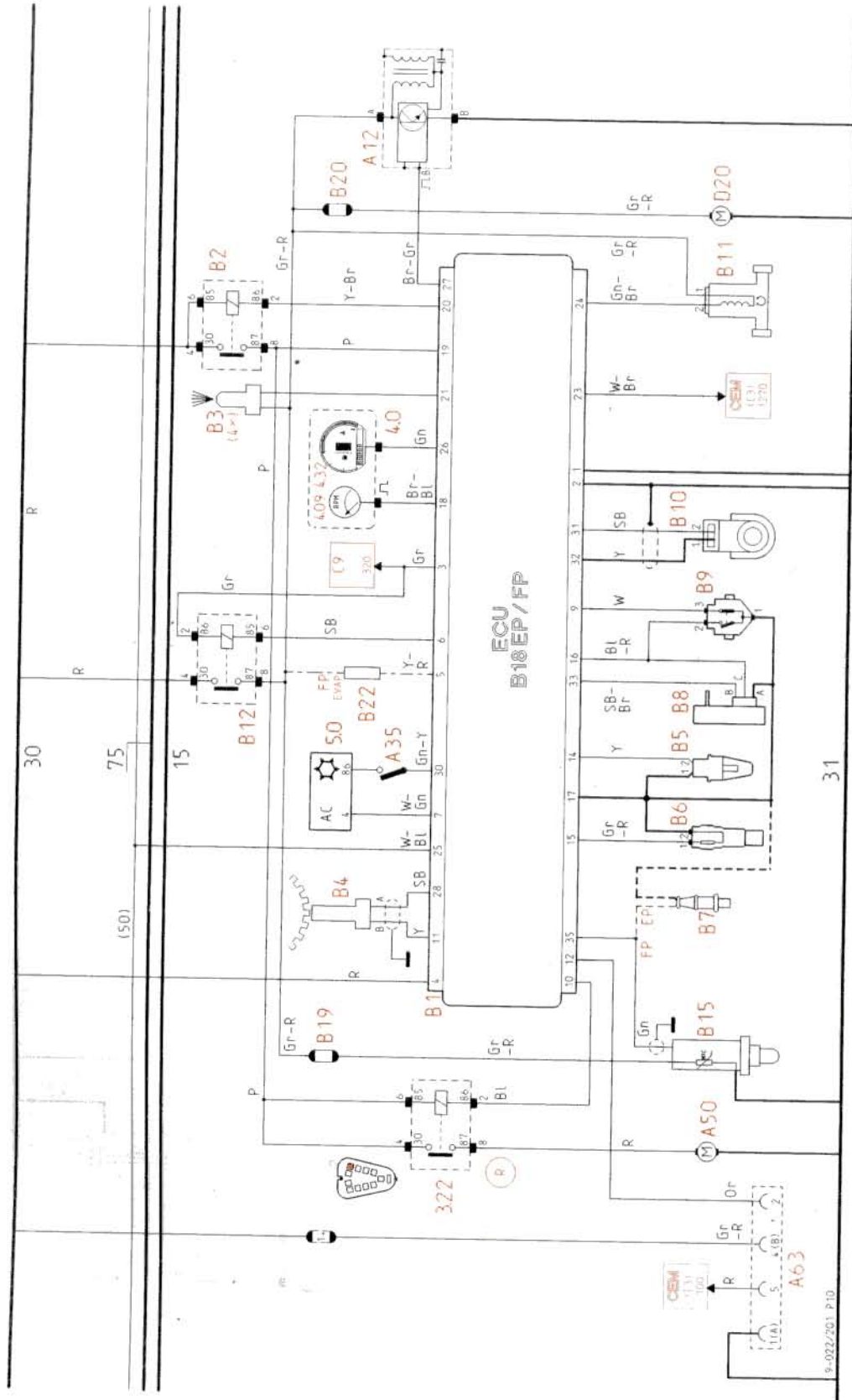


31

8-UGZ/201 P9

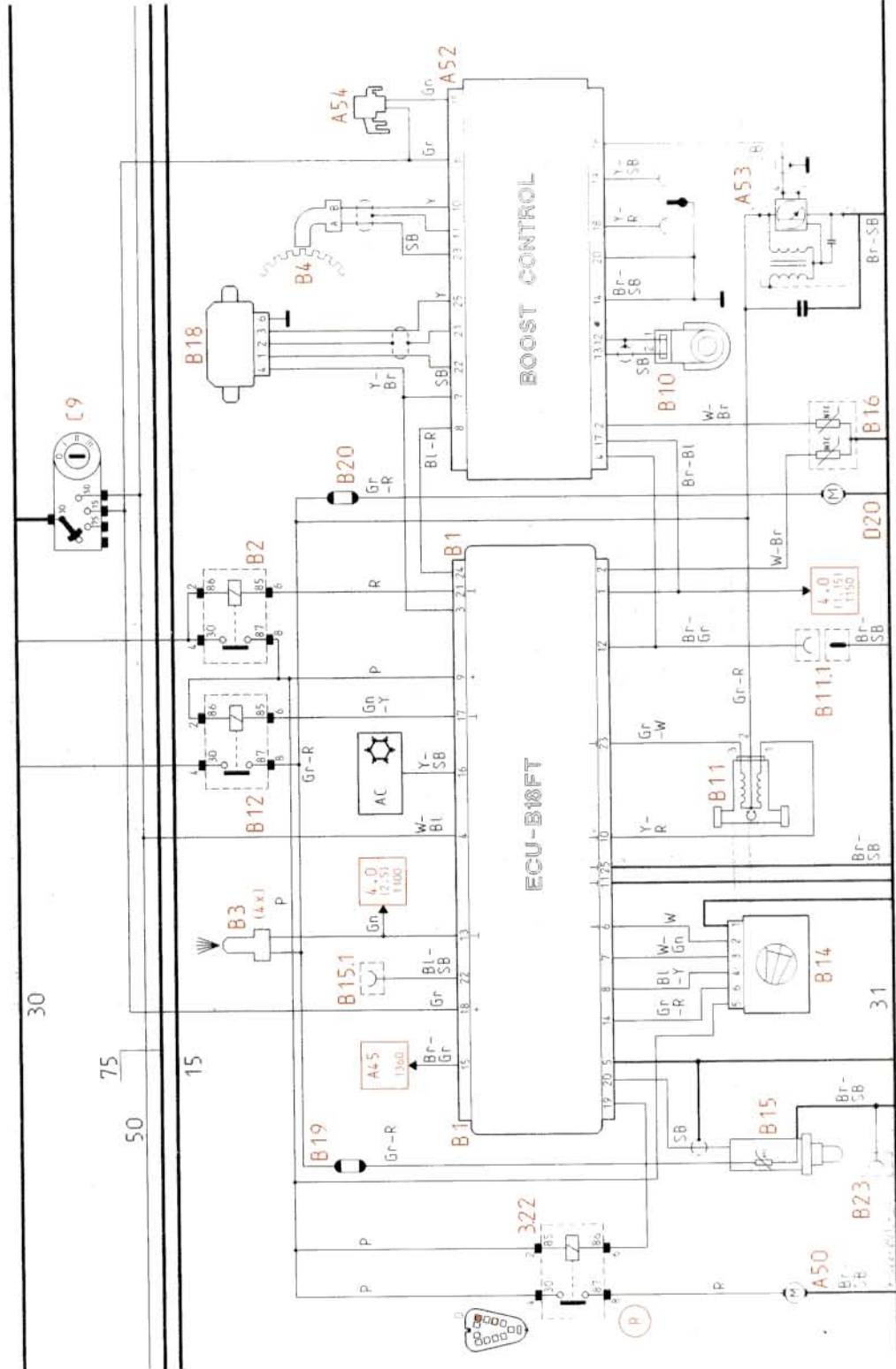
2620 2630 2640 2650 2660 2670 2680 2690 2700 2710 2720 2730 2740 2750 2760 2770 2780 2790 2800 2810 2820 2830 2840 2850 2860 2870 2880 2890 2900 2910

10 B18EP/FP engine

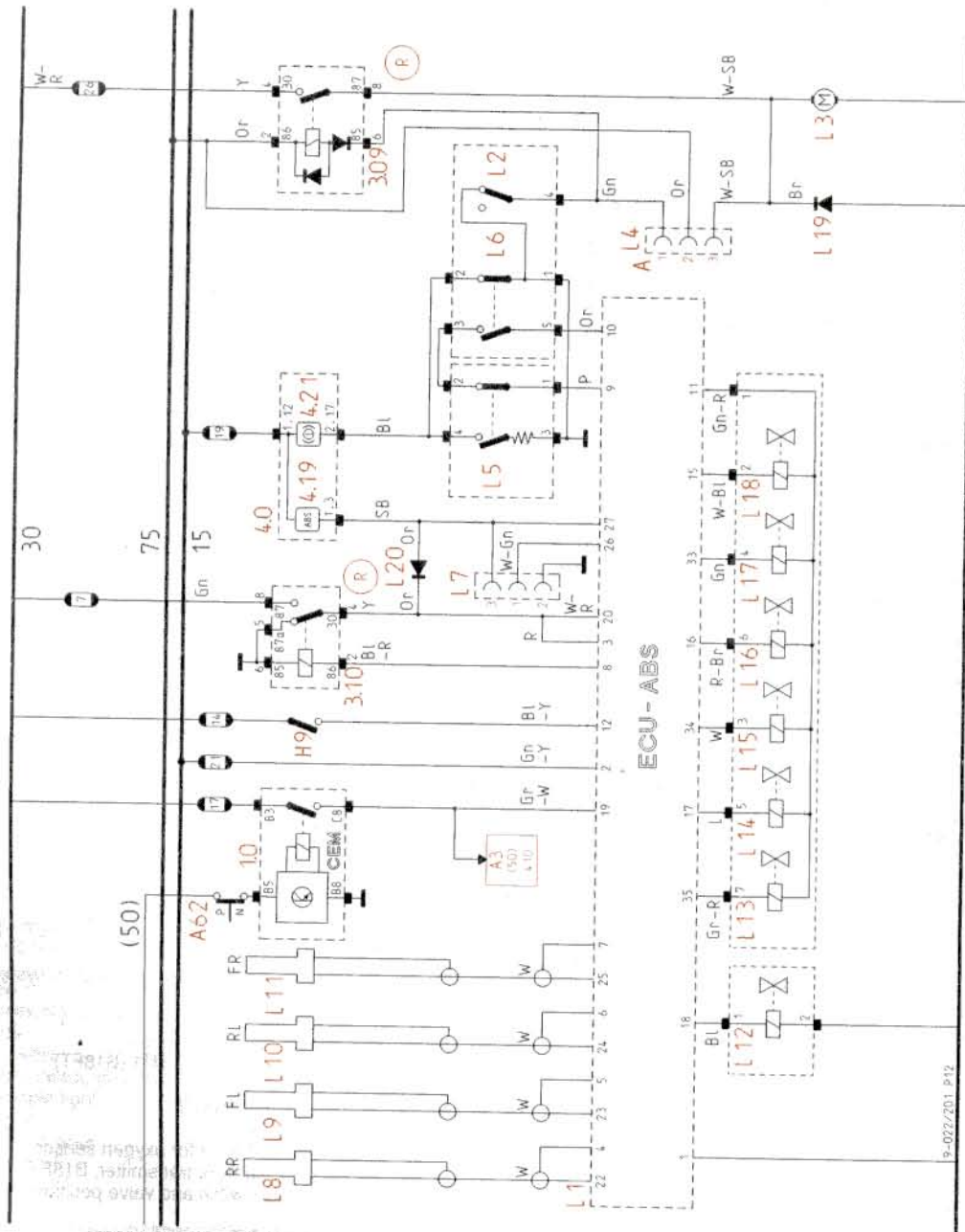


2920 2930 2945 2950 2960 2970 2980 2990 3000 3010 3020 3030 3040 3050 3060 3070 3080 3090 3100 3110 3120 3130 3140 3150 3160 3170 3180 3190 3200 3210 3220

11 B18FT engine



12 ABS



3570 3536 3540 3550 3560 3570 3580 3590 3600 3610 3620 3630 3640 3650 3660 3670 3680 3690 3700 3710 3720 3730 3740 3750

Numerical components list

Ref. no.	Component	Location	Ref. no.	Component	Location
1.0	CEM		A4	Horn	120
1.1	Auto-down		A5	Engine cooling fan, radiator	600
1.2	Doors and sun roof, closing		A7	Horn	120
1.3	Doors and sun roof, operation		A10	Windscreen washer pump	1280
1.4	Central locking system, closed		A11	Rear window washer pump	1310
1.5	Central locking system, open		A12	Electronic ignition unit	3200
1.6	Direction indicators		A13	RH headlight, dipped beam	2190
1.7	Auxiliary driving lights		A14	RH headlight, main beam	2210
1.8	Horn		A15	RH auxiliary driving light	2250
1.9	Windscreen wipers		A16	RH day running light	2040
1.10	Rear wiper		A17	RH parking light	2010
1.11	Headlight washers		A18	RH direction indicator	1720
1.12	Start interlock		A19	RH fog light	2240
			A20	RH headlight motor	1870
2.0	Fuse box		A21	Headlight washer pump	1290
			A22	Ambient air temperature transmitter	1110
3.0	Relays		A23	LH headlight, dipped beam	2180
3.01	(A) Relay, headlights	2150	A24	LH headlight, main beam	2200
3.03	(C) Ignition relay, terminal 15	300	A25	LH auxiliary driving light	2250
3.04	(B) Relay, terminal 75	360	A26	LH day running light	2030
3.06	(F) Relay, headlight motors	1820	A27	LH parking light	1910
3.07	(G) Relay, rear fog lamps (NL, N)	2540	A28	LH direction indicator	1680
3.08	(H) Relay, fog lights	2490	A29	LH fog light	1970
3.09	(J) ABS pump relay	3730	A30	LH headlight motor	1810
3.10	(K) ABS system relay	3620	A34	Thermal switch, cooling fan	600
3.11	(L) Bulb failure detector, front lights	2030	A35	Low pressure switch, AC	690/730
3.12	(E) Relay, fog lights (NL, N)	2450	A36	Compressor clutch, AC	670/750
3.14	(G) Inhibitor relay, dimmed-dip beams (GB)	2070	A39	Coolant temperature transmitter, IC	1020
3.22	(D) Relay, auxiliary water pump	2970/3250	A41	Float, brake fluid	970
			A42	Float, washer fluid	980
4.0	Instrument panel		A44	Speed transmitter, final drive, HL	1190
4.01	Warning lamp, hazard warning lights	1710	A45	Switch, reversing lights	1360
4.02	Warning lamp, seat belts	510/920	A46	Windscreen wiper motor	1230
4.03	Warning lamp, 'door open'	230	A47	Switch, bonnet lock	1820
4.04	Warning lamp, direction indicator, left	1690	A48	Oil pressure transmitter, HL	930
4.05	Warning lamp, direction indicator, right	1700	A48	Oil pressure switch, HL	930
4.06	Warning lamp, defective bulb(s)	2000	A49	Dimmed-dip beams relay (GB)	2110
4.07	Warning lamp, low washer fluid level	970	A50	Auxiliary water pump	2970/3240
4.09	Rev-counter	1150	A51	Crankcase ventilation heating	1380
4.11	Electronic speedometer	1160	A52	Electronic ignition, B18FT	3500
4.14	Warning lamp, parking light	1910	A53	Output stage and ignition coil, B18FT	3470
4.15	Warning lamp, fog lights	2130	A54	Boost pressure regulating valve, B18FT	3490
4.16	Warning lamp, rear fog lamp	2180	A58	Oil level and temperature transmitter	1060
4.17	Warning lamp, rear window heating	100	A62	Switch, start interlock, AT	370/3580
4.18	Warning lamp, main beam/headlight flash	2220	A63	Diagnostic test point, B18EP/FP and CEM	100/2940
4.19	Warning lamp, ABS	650/3660	B	Fuel system wiring harness	
4.20	Warning lamp, handbrake	980	B1	ECU, fuel injection system	3010/3280
4.21	Warning lamp, brake fluid	970/3680	B2	Relay, fuel injection system	3160/3390
4.22	Warning lamp, battery charge	470/940	B3	Injectors	3140/3320
4.23	Warning lamp, oil pressure	950	B4	Engine speed transmitter, flywheel	3020/3470
4.31	IC (Electronic Information Centre)	1000	B5	Temperature transmitter, intake air	3060
4.32	Electronic Information Centre (LCD panel)	1050	B6	Temperature transmitter, coolant, B18EP/FP	3040
4.33	LCD illumination, Electronic Information Centre	1130	B7	Potentiometer, CO setting	3020
4.34	Instrument panel lighting	1130	B8	Air pressure transmitter, fuel injection system	3070
4.35	Relay, instrument lighting	1120	B9	Throttle valve switch	3090
4.50	Channel selector switch, Electronic Information Centre	1090	B10	Knock sensor	3110/3440
4.53	SRS warning lamp	2640	B11	Regulating valve, idle speed	3170/3350
			B11.1	Diagnostic test point for B11 (B18FT)	3380
5.0	Ventilation and heating module (VM)		B12	Fuel pump relay	3070/3350
5.01	Recirculation switch		B14	Air mass meter, B18FT	3310
5.02	ON/OFF switch		B15	Oxygen sensor	2990/3280
5.03	Demister switch		B15.1	Diagnostic test point for oxygen sensor	3310
5.04	FLOOR air distribution switch		B16	Coolant temperature transmitter, B18FT	3420
5.05	VENT air distribution switch		B18	Throttle valve switch and valve position sensor, B18FT	3450
5.06	B/L air distribution switch		B19	Fuse (next to B2), oxygen sensor	2990/3270
5.07	AC switch		B20	Fuse (next to B12), fuel pump	3180/3420
5.08	AC MAX switch		B22	EVAP	3080
5.14	Lighting, VM	750	B23	Earth connection	3260
5.15	On/off relay, VM	780	C	Central wiring harness	
5.16	Relay, position 4, VM	770	C1	Rheostat, dashboard lighting	1200
5.17	Relay, AC input, VM	720	C3	Switch, hazard warning lights	1730
A	Engine compartment wiring harness		C4	Switch, direction indicators	1700
A1	Battery	0	C5	Main beam/dipped beam switch	2190
A2	Alternator	450	C6	Switch, rear window wiper	1320
A2	Voltage regulator	450	C7	Switch, rear window washer	1300
A3	Starter motor	410	C8	Windscreen wash/wipe switch	1240
			C9	Ignition/starter switch	390
			C10	Switch, horn	140

Numerical components list

Ref. no.	Component	Location	Ref. no.	Component	Location
C11	Switch, rear window heating	110	H	Rear end wiring harness	
C13	Clock	30			
C14	Lighting switch	2000/2320	H1	Rear-right direction indicator	1720
C16	Switch, rear fog lamp	2190	H2, H3	Tail light, right	1970
C18	Fog light switch	2120	H4, H5	Brake light, right	1940
C21	Bulb, side repeater on RH front wing	1720	H6	Reversing light, right	1360
C22	Bulb, side repeater on LH front wing	1680	H7	Number plate light, right	2010
C24	Cable, radio aerial	1470	H8	Rear fog lamp, right	2190
C25	Radio	1410	H9	Switch, brake lights	1930/3610
C26	Lighting, radio	1190	H10	Bulb failure detector, rear lights	1930
C27	Ignition switch light	60	H11	Rear-left direction indicator	1670
C28	Switch lighting, hazard warning lights	1190/1740	H12, H13	Tail light, left	1930/1970
C29	Lighting, central instrument panel	1190	H14, H15	Brake light, left	1930
C30	Switch, glove-box light	50	H16	Reversing light, left	1360
C31	Glove-box light	50	H17	Number plate light, left	2010
C32	Oil pressure gauge	900	H18	Rear fog lamp, left	2190
C33	Battery voltmeter	890	H20	Luggage compartment light	150
C34	Lighting, lighting switch	1900	H21	Switch, luggage compartment light	160
C39	LED, anti-theft alarm	140	H22	Switch, tailgate lock	150
			H24	Motor, radio aerial	1450
			H25	Radio aerial	1440
			H29	Relay, aerial motor	1450
			H31	Loudspeaker, rear-left	1420
			H32	Loudspeaker, rear-right	1420
D	Tunnel console wiring harness		J	Tailgate wiring harness	
D1	Lighting, centre console switches	1190	J1	Heating element, rear window	80
D2	Switch, seat heating, driver's seat	320	J2	Rear window wiper motor	1320
D3	Switch lighting, seat heating	330	J3	High-level brake light	1950
D4	Switch, seat heating, passenger's seat	350			
D5	Switch lighting, seat heating	360			
D6	Switch, auxiliary driving lights	2250			
D7	Door mirror, driver's side (L)	1520			
D8	Switch, electrically operated door window, left	1570			
D9	Switch, electrically operated door window, right	1610			
D10	Door mirror, right	1530	K	Interior lighting wiring harness	
D11	Cigar lighter	10			
D12	Cigar lighter illumination	1190	K2	Switch, interior lighting	60
D13	Seat belt contact, driver	520	K3	Bulb, interior lighting	60
D14	Seat heating element and thermostat, left	320	K4	Switch, front-left reading lamp	60
D15	Seat heating element and thermostat, right	350	K5	Front-left reading lamp	60
D16	Seat cushion contact, front passenger seat	540	K6	Switch, front-right reading lamp	60
D17	Seat belt contact, passenger	540	K7	Front-right reading lamp	60
D18	Switch, handbrake	980			
D19	Tank transmitter, fuel gauge	1000	L	ABS wiring harness	
D20	Fuel pump, fuel injection system	3180/3410			
D24	Lighting, selector scale, AT	1190	L1	ECU	1940/3520
			L2	Pressure switch	3710
			L3	Pump motor	3730
			L4	Test plug, ABS pump	3710
			L5	Float, fluid level warning indicator	3670
			L6	Switch, warning lamp	3690
			L7	Diagnostic plug	3630
			L8	Wheel sensor, rear-right	3520
			L9	Wheel sensor, front-left	3530
			L10	Wheel sensor, rear-left	3550
			L11	Wheel sensor, front-right	3560
			L12	Main valve	3550
			L13	Inlet valve, front wheel brake, left	3570
			L14	Inlet valve, rear wheel brakes	3590
			L15	Outlet valve, front wheel brake, right	3610
			L16	Outlet valve, front wheel brake, left	3620
			L17	Outlet valve, rear wheel brakes	3640
			L18	Inlet valve, front wheel brake, right	3660
			L19	Diode, motor	3710
			L20	Diode	3630
E	Heating system wiring harness		M	Sun roof wiring harness	
E1	Blower motor	860	M1	Switch, tilting sun roof	1640
E2	Series resistors, heater fan	810	M3	Motor, tilting sun roof	1660
E3	Switch, heater fan	810			
E4	Lighting, heater fan switch	1190			
E7	AC relay, delayed compressor engagement	660			
E8	AC relay	620			
E9	AC relay, heater blower (position 4)	860			
F	Door wiring harness - driver's side		N	SRS wiring harness - airbag and seat belt pre-tensioners	
F1	Heating element, door mirror	90			
F2	Motor, electrically operated door window, driver's side	1590	N1	ECU	2700
F3	Door lock switch, driver's side	200/1650	N2	Power supply and voltage converter	2740
F5	Motors, door mirror, driver's side	1530	N3	Seat belt pre-tensioner, left	2730/2880
F6	Switch, keyhole light	200	N4	Seat belt pre-tensioner, right	2750/2900
F7	Keyhole light	170	N5	Steering wheel module with airbag	2690
F8	Switch, driver's door	180	N6	Diagnostic test point, airbag and seat - belt pre-tensioners	2630
F10	Loudspeaker, LF	1400	N7	Diagnostic test point, seat belt pre-tensioners	2860
F11	Loudspeaker, HF	1400			
G	Door wiring harness - passenger's side				
G1	Heating element, door mirror	100			
G2	Motor, electrically operated door window, passenger's side	1610			
G3	Door lock switch, passenger's side	180/1630			
G4	Motor, central locking	260			
G5	Motors, door mirror, passenger's side	1530			
G6	Switch, passenger's door	210			
G10	Loudspeaker, LF	1400			
G11	Loudspeaker, HF	1400			

Alphabetical components list

Component	No.	Location	Component	No.	Location
ABS pump relay	3.09	3730	Inlet valve, rear wheel brakes	L14	3590
ABS system relay	3.10	3620	Instrument panel lighting	4.34	1130
AC relay	E8	620	Keyhole light	F7	170
AC relay, delayed compressor engagement	E7	660	Knock sensor	B10	3110/3440
AC relay, heater blower (position 4)	E9	860	LCD illumination, Electronic Information Centre	4.33	1130
Air mass meter, B18FT	B14	3310	LED, anti-theft alarm	C39	140
Air pressure transmitter, fuel injection system	B8	3070	LH auxiliary driving light	A25	2250
Alternator	A2	450	LH day running light	A26	2030
Ambient air temperature transmitter	A22	1110	LH direction indicator	A28	1680
Auxiliary water pump	A50	2970/3240	LH fog light	A29	1970
Battery	A1	0	LH headlight, dipped beam	A23	2180
Battery voltmeter	C33	890	LH headlight, main beam	A24	2200
Blower motor	E1	860	LH headlight motor	A30	1810
Boost pressure regulating valve, B18FT	A54	3490	LH parking light	A27	1910
Brake light, left	H14, H15	1930	Lighting, central instrument panel	C29	1190
Brake light, right	H4, H5	1940	Lighting, centre console switches	D1	1190
Bulb failure detector, front lights	3.11	2030	Lighting, heater fan switch	E4	1190
Bulb failure detector, rear lights	H10	1930	Lighting, lighting switch	C34	1900
Bulb, interior lighting	K3	60	Lighting, radio	C26	1190
Bulb, side repeater on LH front wing	C22	1680	Lighting, selector scale, AT	D24	1190
Bulb, side repeater on RH front wing	C21	1720	Lighting switch	C14	2000/2320
Cable, radio aerial	C24	1470	Lighting, VM	5.14	750
Channel selector switch, Electronic Information Centre	4.50	1090	Loudspeaker, HF	F11	1400
Cigar lighter	D11	10	Loudspeaker, HF	G11	1400
Cigar lighter illumination	D12	1190	Loudspeaker, LF	G10	1400
Clock	C13	30	Loudspeaker, LF	F10	1400
Compressor clutch, AC	A36	670/750	Loudspeaker, rear-left	H31	1420
Coolant temperature transmitter, B18FT	B16	3420	Loudspeaker, rear-right	H32	1420
Coolant temperature transmitter, IC	A39	1020	Low pressure switch, AC	A35	690/730
Crankcase ventilation heating	A51	1380	Luggage compartment light	H20	150
Diagnostic plug	L7	3630	Main beam/dipped beam switch	C5	2190
Diagnostic test point, airbag and seat belt pre-tensioners	N6	2630	Main valve	L12	3550
Diagnostic test point, B18EP/FP and CEM	A63	100/2940	Motor, central locking	G4	260
Diagnostic test point for B11 (B18FT)	B11.1	3380	Motor, electrically operated door window, passenger's side	G2	1610
Diagnostic test point for oxygen sensor	B15.1	3310	Motor, electrically operated door window, driver's side	F2	1590
Diagnostic test point, seat belt pre-tensioners	N7	2860	Motor, radio aerial	H24	1450
Dimmed-dip beams relay (GB)	A49	2110	Motor, tilting sun roof	M3	1660
Diode	L20	3630	Motors, door mirror, driver's side	F5	1530
Diode, motor	L19	3710	Motors, door mirror, passenger's side	G5	1530
Door lock switch, driver's side	F3	200/1650	Number plate light, left	H17	2010
Door lock switch, passenger's side	G3	180/1630	Number plate light, right	H7	2010
Door mirror, driver's side (L)	D7	1520	Oil level and temperature transmitter	A58	1060
Door mirror, right	D10	1530	Oil pressure gauge	C32	900
Earth connection	B23	3260	Oil pressure switch, HL	A48	930
ECU	N1	2700	Oil pressure transmitter, HL	A48	930
ECU ABS	L1	1940/3520	On/off relay, VM	5.15	780
ECU, fuel injection system	B1	3010/3280	Outlet valve, front wheel brake, right	L15	3610
Electronic ignition, B18FT	A52	3500	Outlet valve, front wheel brake, left	L16	3620
Electronic ignition unit	A12	3200	Outlet valve, rear wheel brakes	L17	3640
Electronic Information Centre (LCD panel)	4.32	1050	Output stage and ignition coil, B18FT	A53	3470
Electronic speedometer	4.11	1160	Oxygen sensor	B15	2990/3280
Engine cooling fan, radiator	A5	600	Potentiometer, CO setting	B7	3020
Engine speed transmitter, flywheel	B4	3020/3470	Power supply and voltage converter	N2	2740
EVAP	B22	3080	Pressure switch	L2	3710
Float, brake fluid	A41	970	Pump motor	L3	3730
Float, fluid level warning indicator	L5	3670	Radio	C25	1410
Float, washer fluid	A42	980	Radio aerial	H25	1440
Fog light switch	C18	2120	Rear fog lamp, left	H18	2190
Front-left reading lamp	K5	60	Rear fog lamp, right	H8	2190
Front-right reading lamp	K7	60	Rear window washer pump	A11	1310
Fuel pump, fuel injection system	D20	3180/3410	Rear window wiper motor	J2	1320
Fuel pump relay	B12	3070/3350	Rear-left direction indicator	H11	1670
Fuse (next to B12), fuel pump	B20	3180/3420	Rear-right direction indicator	H1	1720
Fuse (next to B2), oxygen sensor	B19	2990/3270	Regulating valve, idle speed	B11	3170/3350
Glove-box light	C31	50	Relay, AC input, VM	5.17	720
Headlight washer pump	A21	1290	Relay, aerial motor	H29	1450
Heating element, door mirror	F1	90	Relay, auxiliary water pump	3.22	2970/3250
Heating element, door mirror	G1	100	Relay, fog lights	3.08	2490
Heating element, rear window	J1	80	Relay, fog lights (NL, N)	3.12	2450
High-level brake light	J3	1950	Relay, fuel injection system	B2	3160/3390
Horn	A7	120	Relay, headlight motors	3.06	1820
Horn	A4	120	Relay, headlights	3.01	2150
IC (Electronic Information Centre)	4.31	1000	Relay, instrument lighting	4.35	1120
Ignition relay, terminal 15	3.03	300	Relay, position 4, VM	5.16	770
Ignition/starter switch	C9	390	Relay, rear fog lamps (NL, N)	3.07	2540
Ignition switch light	C27	60	Relay, terminal 75	3.04	360
Inhibitor relay, dimmed-dip beams (GB)	3.14	2070	Rev-counter	4.09	1150
Injectors	B3	3140/3320	Reversing light, left	H16	1360
Inlet valve, front wheel brake, left	L13	3570	Reversing light, right	H6	1360
Inlet valve, front wheel brake, right	L18	3660	RH auxiliary driving light	A15	2250

Alphabetical components list

Component	No.	Location	Component	No.	Location
RH day running light	A16	2040	Wheel sensor, rear-left	L10	3550
RH direction indicator	A18	1720	Wheel sensor, rear-right	L8	3520
RH fog light	A19	2240	Windscreen wash/wipe switch	C8	1240
RH headlight, dipped beam	A13	2190	Windscreen washer pump	A10	1280
RH headlight, main beam	A14	2210	Windscreen wiper motor	A46	1230
RH headlight motor	A20	1870			
RH parking light	A17	2010			
Rheostat, dashboard lighting	C1	1200			
Seat belt contact, driver	D13	520			
Seat belt contact, passenger	D17	540			
Seat belt pre-tensioner, left	N3	2730/2880			
Seat belt pre-tensioner, right	N4	2750/2900			
Seat cushion contact, front passenger seat	D16	540			
Seat heating element and thermostat, left	D14	320			
Seat heating element and thermostat, right	D15	350			
Series resistors, heater fan	E2	810			
Speed transmitter, final drive, HL	A44	1190			
SRS warning lamp	4.53	2640			
Starter motor	A3	410			
Steering wheel module with airbag	N5	2690			
Switch, auxiliary driving lights	D6	2250			
Switch, bonnet lock	A47	1820			
Switch, brake lights	H9	1930/3610			
Switch, direction indicators	C4	1700			
Switch, driver's door	F8	180			
Switch, electrically operated door window, left	D8	1570			
Switch, electrically operated door window, right	D9	1610			
Switch, front-left reading lamp	K4	60			
Switch, front-right reading lamp	K6	60			
Switch, glove-box light	C30	50			
Switch, handbrake	D18	980			
Switch, hazard warning lights	C3	1730			
Switch, heater fan	E3	810			
Switch, horn	C10	140			
Switch, interior lighting	K2	60			
Switch, keyhole light	F6	200			
Switch lighting, hazard warning lights	C28	1190/1740			
Switch lighting, seat heating	D3	330			
Switch lighting, seat heating	D5	360			
Switch, luggage compartment light	H21	160			
Switch, passenger's door	G6	210			
Switch, rear fog lamp	C16	2190			
Switch, rear window heating	C11	110			
Switch, rear window washer	C7	1300			
Switch, rear window wiper	C6	1320			
Switch, reversing lights	A45	1360			
Switch, seat heating, driver's seat	D2	320			
Switch, seat heating, passenger's seat	D4	350			
Switch, start interlock, AT	A62	370/3580			
Switch, tailgate lock	H22	150			
Switch, tilting sun roof	M1	1640			
Switch, warning lamp	L6	3690			
Tail light, left	H12, H13	1930/1970			
Tail light, right	H2, H3	1970			
Tank transmitter, fuel gauge	D19	1000			
Temperature transmitter, coolant, B18EP/FP	B6	3040			
Temperature transmitter, intake air	B5	3060			
Test plug, ABS pump	L4	3710			
Thermal switch, cooling fan	A34	600			
Throttle valve switch	B9	3090			
Throttle valve switch and valve position sensor, B18FT	B18	3450			
Voltage regulator	A2	450			
Warning lamp, 'door open'	4.03	230			
Warning lamp, ABS	4.19	650/3660			
Warning lamp, battery charge	4.22	470/940			
Warning lamp, brake fluid	4.21	970/3680			
Warning lamp, defective bulb(s)	4.06	2000			
Warning lamp, direction indicator, left	4.04	1690			
Warning lamp, direction indicator, right	4.05	1700			
Warning lamp, fog lights	4.15	2130			
Warning lamp, handbrake	4.20	980			
Warning lamp, hazard warning lights	4.01	1710			
Warning lamp, low washer fluid level	4.07	970			
Warning lamp, main beam/headlight flash	4.18	2220			
Warning lamp, oil pressure	4.23	950			
Warning lamp, parking light	4.14	1910			
Warning lamp, rear fog lamp	4.16	2180			
Warning lamp, rear window heating	4.17	100			
Warning lamp, seat belts	4.02	510/920			
Wheel sensor, front-left	L9	3530			
Wheel sensor, front-right	L11	3560			

Alphabetical index

	Page		Page
ABS	66	Seat belt pre-tensioners	90
Airbag and seat belt pre-tensioners	92	Seat belts	60
Air-conditioning, EP/FP	86	Speedometer	52
Air-conditioning, FT	88		
Alphabetical components list	108	Tilting sun roof	72
Anti-theft alarm	72		
Automatic transmission	20	VM (ventilation and heating module)	7
Auxiliary driving lights	24	Ventilation module	7
Auxiliary water pump	18		
		Warning buzzer, lighting	58
Battery charge warning lamp	56	Warning lamps	42
Battery voltmeter	62	Washer fluid warning lamp	56
Boot light	40	Windscreen washers	46
Brake fluid warning lamp	56	Windscreen wipers	44
Brake lights	28	Wiring harnesses	6
Bulb failure detector, front end	22		
Bulb failure detector, rear end	28		
CEM (Central Electronic Module)	9		
Car alarm	72		
Central locking system	68		
Cigar lighter	40		
Circuit diagrams 1991	94		
Connectors, wiring harness C	10		
Crankcase heating	34		
Day running lights	22		
Dimmed-dip beams (GB)	26		
Direction indicators	42		
Door mirrors, heating	76		
Door mirrors, operation	78		
'Door open' warning lamp	58		
Door windows, operation	70		
Driveway illumination	24		
Earth points	6		
Electronic Information Centre (IC)	54		
Fog lights	30		
Fog lights and rear fog lamps, N and NL	32		
Front seat heating	80		
Fuel injection and ignition, B18FT	16		
Fuses	4		
Glove-box light	40		
Handbrake warning lamp	56		
Headlight flash	24		
Headlight housing motors	50		
Headlight washers	46		
Heating module	7		
Heating, standard unit	82		
Horn	74		
How to use the circuit diagrams	3		
How to use the wiring diagrams	2		
Ignition/starter switch	20		
Instrument lighting	36		
Instrument panel	8		
Interior lighting	38		
Keyhole light	38		
Lighting, front end	22		
Lighting, rear end	28		
Luggage compartment light	40		
Numerical components list	106		
Oil pressure gauge with switch	62		
Radio connections	64		
Rear fog lamps (EURO)	32		
Rear washer	48		
Rear window heating	76		
Rear wiper	48		
Relays	5		
Rev-counter	52		
Reversing lights	34		

Field report form

To:

Autodivisie Volvo Car B.V.
Afd. Service Technical Support
P.O. Box 1015
5700 MC Helmond
The Netherlands

From:

.....
.....
.....

Concerns publication:

.....
.....

Section: Page TP no.

Suggestions/reasoning:

.....
.....
.....
.....
.....
.....
.....
.....

Date

.....
.....

**Do you have any useful comment or other ideas concerning this manual?
If so, make a copy of this page and send them to us at the above address.**

TP 35668/1
1.800.05.91
English
Printed in the
Netherlands

Drukkerij Jéme B.V. Eindhoven
De Wit Boekbinders B.V. Eindhoven